



# ConnectSafe

## KL1X50N



PRODUCT NUMBER	37826
GTIN	6419410378267
E-NUMBER FI	1942062
ETIM CLASS	EC000897

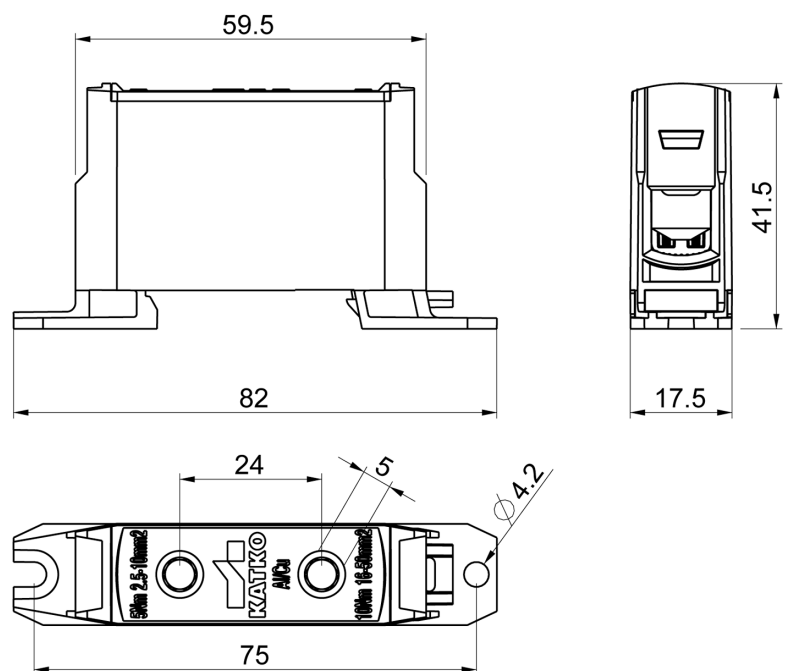
### MEASUREMENTS

HEIGHT	59.5 mm
WIDTH	17.5 mm
DEPTH	41.5 mm
VOLUME	0.0432 l
NET WEIGHT	0.1061 kg

### LOGISTICAL DATA

PACKAGE SIZE 1	32
PACKAGE SIZE 1 WEIGHT	0.1061 kg

### DIMENSIONAL DRAWING



## TECHNICAL DATA

UL	UL 1059, CAN/CSA C22.2 No. 158-10
ATEX	No
TORQUE AL/CU (NM)	5 (2,5 - 16 mm <sup>2</sup> ) / 10 (25 - 50 mm <sup>2</sup> )
KEY SIZE	Hex 5
IN (AL) (A)	160
IN (CU) (A)	160
AL MM <sup>2</sup>	2,5-50
CU MM <sup>2</sup>	2,5-50
NOMINAL VOLTAGE	1000V AC / 1500V DC
LINE/LOAD WIRE SIZE-STR CU/AL (KCMIL/AWG)	1/0 - 6
TORQUE AL/CU LB-IN	90
AMPERE AL (A)	120
AMPERE CU (A)	150