



 **ConnectSafe**  
**KKL1X240TE**

1x35-240mm<sup>2</sup> Al/Cu

PRODUCT NUMBER	37873
GTIN	6419410378731
E-NUMBER FI	1942105
TECHNICAL NAME	1x35-240mm <sup>2</sup> Al/Cu
ETIM CLASS	EC001284

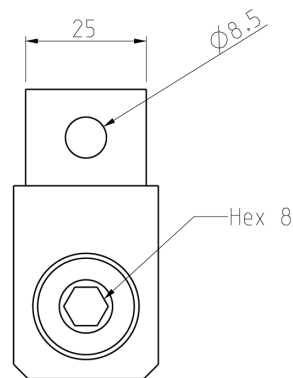
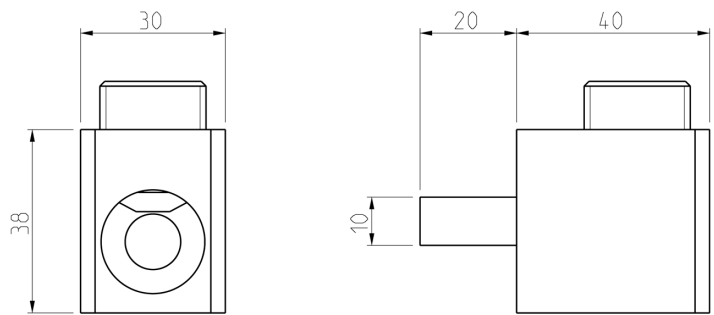
**MEASUREMENTS**

HEIGHT	47 mm
WIDTH	32 mm
DEPTH	65 mm
VOLUME	0.0978 l
NET WEIGHT	0.2406 kg

**LOGISTICAL DATA**

PACKAGE SIZE 1	20
PACKAGE SIZE 1 WEIGHT	0.2406 kg

**DIMENSIONAL DRAWING**



## TECHNICAL DATA

ATEX	No
TORQUE AL/CU (NM)	25 (35-120 mm <sup>2</sup> ) / 40 (150-240 mm <sup>2</sup> )
KEY SIZE	Hex 8
IN (AL) (A)	400
IN (CU) (A)	400
AL MM <sup>2</sup>	35-240
CU MM <sup>2</sup>	35-240