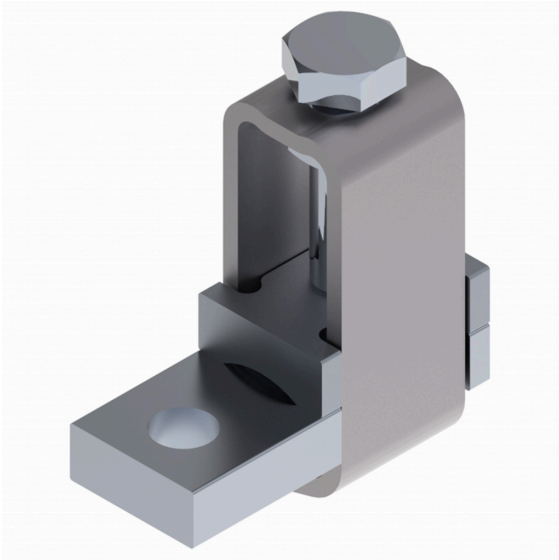


ConnectSafe KLH2X150

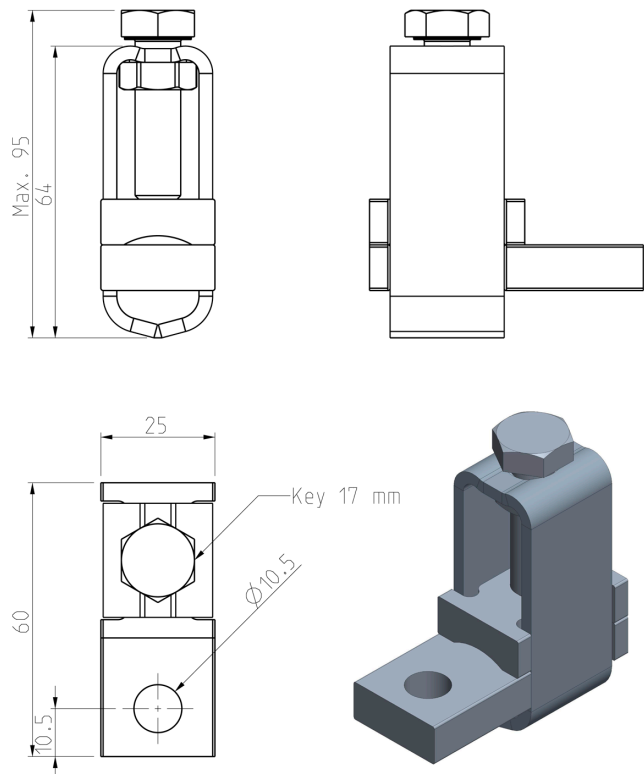


PRODUCT NUMBER	35858
GTIN	6419410358580
E-NUMBER FI	1942117
ETIM CLASS	EC000897

MEASUREMENTS

HEIGHT	60 mm
WIDTH	25 mm
DEPTH	64 mm
VOLUME	0.096 l
NET WEIGHT	0.3529 kg

DIMENSIONAL DRAWING



LOGISTICAL DATA

PACKAGE SIZE 1	3
PACKAGE SIZE 1 WEIGHT	0.3529 kg

TECHNICAL DATA

UL	UL 486A-486B
ATEX	No
TORQUE AL/CU (NM)	44
KEY SIZE	Hex 17
AL MM ²	2 x 50-150
CU MM ²	2 x 50-150
LINE/LOAD WIRE SIZE-STR CU/AL (KCMIL/AWG)	2 x 300 - 1/0
TORQUE AL/CU LB-IN	390