



 IsoSafe

KEM 3630 MF04

3x630A 400V 355kW

PRODUCT NUMBER	32540
GTIN	6419410325407
TECHNICAL NAME	3x630A 400V 355kW
ETIM CLASS	EC000216

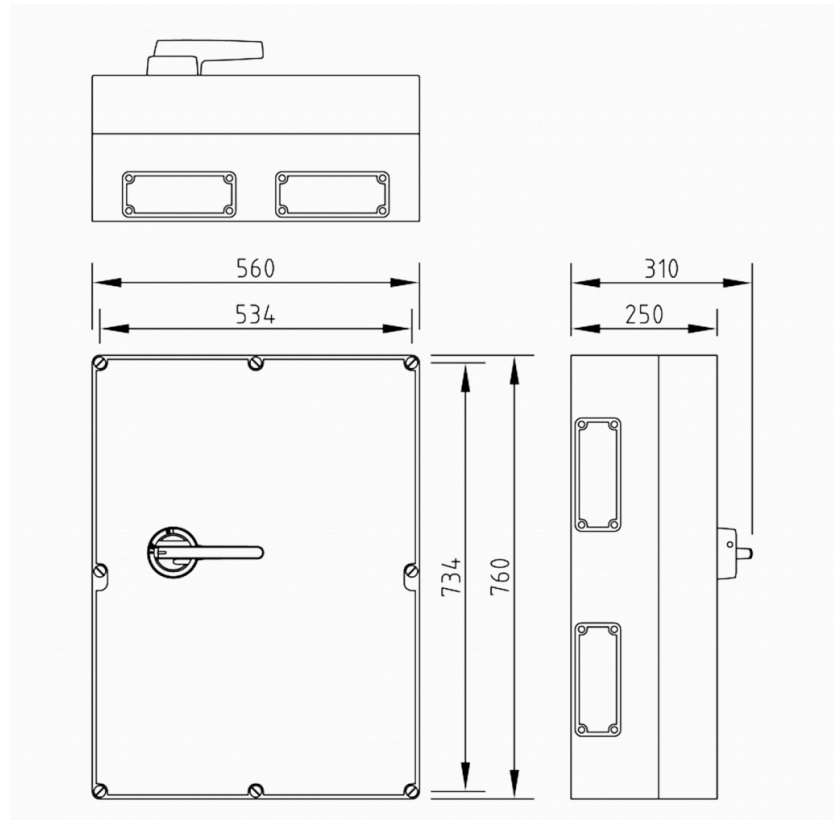
MEASUREMENTS

HEIGHT	760 mm
WIDTH	560 mm
DEPTH	250 mm
VOLUME	106.4 l
NET WEIGHT	21.717 kg

LOGISTICAL DATA

SALES UNIT	1
PACKAGE SIZE 1	1
PACKAGE SIZE 1	250 mm
DEPTH	
PACKAGE SIZE 1	760 mm
HEIGHT	
PACKAGE SIZE 1	560 mm
WIDTH	
PACKAGE SIZE 1	21.717 kg
WEIGHT	
PACKAGE SIZE 1	106.4 l
VOLUME	

DIMENSIONAL DRAWING



TECHNICAL DATA

NUMBER OF POLES	3
ENCLOSURE	MF04 (560 x 760 x 250 mm)
ENCLOSURE TYPE	Polycarbonate
EMC	No
ATEX	No
IP RATING	IP66
RATED OPERATIONAL CURRENT AC-23A 415 V, IE (A)	630
RATED OPERATIONAL CURRENT AC-23A 690 V, IE (A)	630
RATED OPERATIONAL POWER, 3- PHASE 1500 RPM SQUIRREL-CAGE MOTOR AC-23A 690 V (KW)	630
RATED INSULATION VOLTAGE, UI (V)	1000
SWITCH TYPE DESCRIPTION	Isolating switch
NOMINAL VALUES WITH CABLE SIZE (MM ²)	2*185
RATED THERMAL CURRENT, ITH (A)	630
RATED THERMAL CURRENT (ENCLOSED), ITHE (A)	630
RATED OPERATIONAL CURRENT AC-21A 415 V, IE (A)	630
RATED OPERATIONAL CURRENT AC-21A 500 V, IE (A)	630
RATED OPERATIONAL CURRENT AC-21A 690 V, IE (A)	630
RATED OPERATIONAL CURRENT AC-22A 415 V, IE (A)	630
RATED OPERATIONAL CURRENT AC-22A 500 V, IE (A)	630
RATED OPERATIONAL CURRENT AC-22A 690 V, IE (A)	630

RATED OPERATIONAL CURRENT AC-23A 500 V, IE (A)	630
RATED OPERATIONAL POWER, 3- PHASE 1500 RPM SQUIRREL-CAGE MOTOR AC-23A 415 V (KW)	355
RATED OPERATIONAL POWER, 3- PHASE 1500 RPM SQUIRREL-CAGE MOTOR AC-23A 500 V (KW)	400
RATED FUSED SHORT-CIRCUIT CURRENT, BACK-UP FUSE OPTION 1 (A)	630
RATED FUSED SHORT-CIRCUIT CURRENT, R.M.S. IQ OPTION 1 (KA)	100
RATED FUSED SHORT-CIRCUIT CURRENT, PEAK VALUE (KA)	76
RATED IMPULSE WITHSTAND VOLTAGE, UIMP (KV)	12
RATED SHORT-CIRCUIT MAKING CAPACITY, ICM 690 V (KA)	60
RATED SHORT-TIME WITHSTAND CURRENT 1 S, ICW 1000 V (KA)	28
RATED BREAKING CAPACITY, AC- 23A 415 V (A)	5040
RATED BREAKING CAPACITY, AC- 23A 500 V (A)	5040
RATED BREAKING CAPACITY, AC- 23A 690 V (A)	5040
ELECTRICAL ENDURANCE (NUMBER OF OPERATIONS)	2000
MECHANICAL ENDURANCE (NUMBER OF OPERATIONS)	10000
TERMINAL / BOLT SIZE CU (MM ²)	M12
MAXIMUM TERMINAL TORQUE (NM)	50..75
SWITCH TYPE	Load Break Switch