

KKL2X300



PRODUCT NUMBER	48429
GTIN	6419410484296
E-NUMBER FI	1942110
ETIM CLASS	EC000897

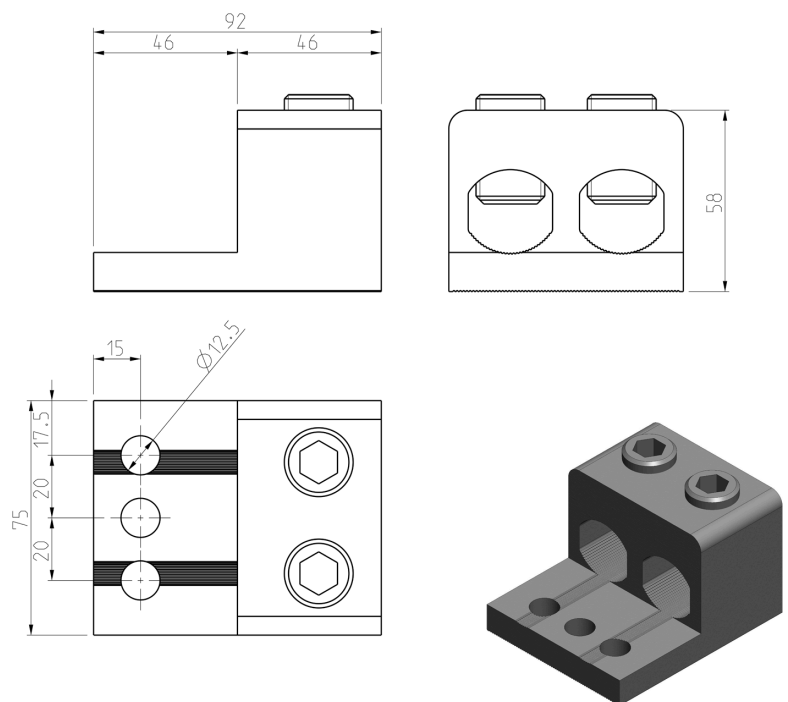
MEASUREMENTS

HEIGHT	92 mm
WIDTH	75 mm
DEPTH	58 mm
VOLUME	0.4002 l
NET WEIGHT	0.892 kg

LOGISTICAL DATA

PACKAGE SIZE 1	6
PACKAGE SIZE 1 WEIGHT	0.892 kg

DIMENSIONAL DRAWING



TECHNICAL DATA

ATEX	No
TORQUE AL/CU (NM)	45 (95-120 mm ²) / 75 (150-300 mm ²)
KEY SIZE	Hex 12
IN (AL) (A)	800
IN (CU) (A)	1040
AL MM ²	95-300
CU MM ²	95-300