




IsoSafe ISF 416UL M3

4x16A 400V 7.5kW

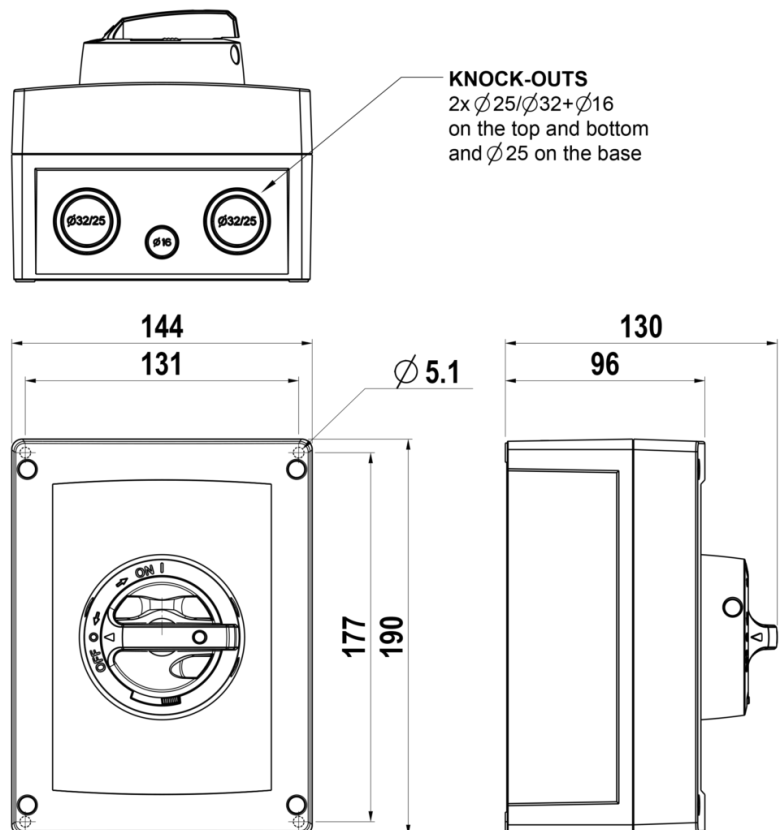
| | |
|----------------|------------------|
| PRODUCT NUMBER | 34676 |
| GTIN | 6419410346761 |
| E-NUMBER FI | 3662662 |
| TECHNICAL NAME | 4x16A 400V 7.5kW |
| ETIM CLASS | EC000216 |

MEASUREMENTS

| | |
|--------|----------|
| HEIGHT | 190 mm |
| WIDTH | 144 mm |
| DEPTH | 96 mm |
| VOLUME | 2.6266 l |

LOGISTICAL DATA

DIMENSIONAL DRAWING



TECHNICAL DATA

| | |
|-------------------------|-------------------------|
| NUMBER OF POLES | 4 |
| ENCLOSURE | M3 (144 x 190 x 96 mm) |
| ENCLOSURE TYPE | Polycarbonate |
| UL | UL 60947-4-1A |
| EMC | No |
| ATEX | No |
| IP RATING | IP66 |
| AMPERE RATING (600V) | 16 |
| HP 208V | 3 |
| HP 480V | 7.5 |
| HP 600V | 10 |
| SWITCH TYPE DESCRIPTION | Manual motor controller |
| WIRE SIZE (CU ONLY) | 14-8 AWG |