



IsoSafe KER 4630 R7

4x630A 400V 355kW

| | |
|----------------|-------------------|
| PRODUCT NUMBER | 34400 |
| GTIN | 6419410344002 |
| TECHNICAL NAME | 4x630A 400V 355kW |
| ETIM CLASS | EC000216 |

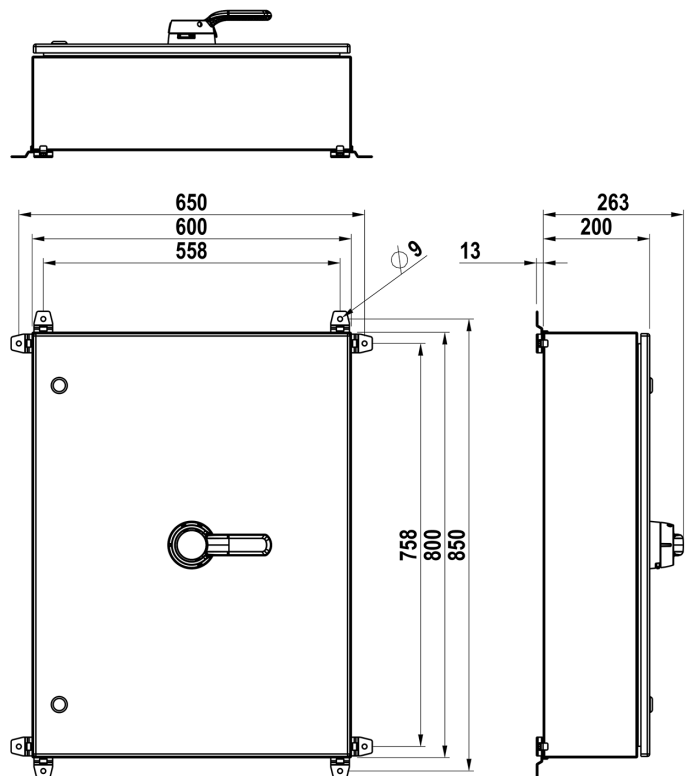
MEASUREMENTS

| | |
|------------|------------|
| HEIGHT | 800 mm |
| WIDTH | 600 mm |
| DEPTH | 200 mm |
| VOLUME | 96 l |
| NET WEIGHT | 37.3876 kg |

LOGISTICAL DATA

| | |
|--------------------------|------------|
| SALES UNIT | 1 |
| PACKAGE SIZE 1 | 1 |
| PACKAGE SIZE 1 DEPTH | 120 mm |
| PACKAGE SIZE 1 HEIGHT | 200 mm |
| PACKAGE SIZE 1 WIDTH | 150 mm |
| PACKAGE SIZE 1 WEIGHT | 37.3876 kg |
| PACKAGE SIZE 1 VOLUME | 3.6 l |

DIMENSIONAL DRAWING



TECHNICAL DATA

| | |
|--|----------------------------|
| NUMBER OF POLES | 4 |
| ENCLOSURE | R7 (600 x 800 x 200 mm) |
| ENCLOSURE TYPE | Stainless steel (AISI 304) |
| EMC | No |
| ATEX | No |
| IP RATING | IP66 |
| RATED OPERATIONAL CURRENT AC-23A 415 V, IE (A) | 630 |
| RATED OPERATIONAL CURRENT AC-23A 690 V, IE (A) | 630 |
| RATED OPERATIONAL POWER, 3- PHASE 1500 RPM SQUIRREL-CAGE MOTOR AC-23A 690 V (KW) | 630 |
| RATED INSULATION VOLTAGE, UI (V) | 1000 |
| SWITCH TYPE DESCRIPTION | Isolating switch |
| NOMINAL VALUES WITH CABLE SIZE (MM ²) | 2*185 |
| RATED THERMAL CURRENT, ITH (A) | 630 |
| RATED THERMAL CURRENT (ENCLOSED), ITHE (A) | 630 |
| RATED OPERATIONAL CURRENT AC-21A 415 V, IE (A) | 630 |
| RATED OPERATIONAL CURRENT AC-21A 500 V, IE (A) | 630 |
| RATED OPERATIONAL CURRENT AC-21A 690 V, IE (A) | 630 |
| RATED OPERATIONAL CURRENT AC-22A 415 V, IE (A) | 630 |
| RATED OPERATIONAL CURRENT AC-22A 500 V, IE (A) | 630 |
| RATED OPERATIONAL CURRENT AC-22A 690 V, IE (A) | 630 |

| | |
|--|-------------------|
| RATED OPERATIONAL CURRENT AC-23A 500 V, IE (A) | 630 |
| RATED OPERATIONAL POWER, 3- PHASE 1500 RPM SQUIRREL-CAGE MOTOR AC-23A 415 V (KW) | 355 |
| RATED OPERATIONAL POWER, 3- PHASE 1500 RPM SQUIRREL-CAGE MOTOR AC-23A 500 V (KW) | 400 |
| RATED FUSED SHORT-CIRCUIT CURRENT, BACK-UP FUSE OPTION 1 (A) | 630 |
| RATED FUSED SHORT-CIRCUIT CURRENT, R.M.S. IQ OPTION 1 (KA) | 100 |
| RATED FUSED SHORT-CIRCUIT CURRENT, PEAK VALUE (KA) | 76 |
| RATED IMPULSE WITHSTAND VOLTAGE, UIMP (KV) | 12 |
| RATED SHORT-CIRCUIT MAKING CAPACITY, ICM 690 V (KA) | 60 |
| RATED SHORT-TIME WITHSTAND CURRENT 1 S, ICW 1000 V (KA) | 28 |
| RATED BREAKING CAPACITY, AC- 23A 415 V (A) | 5040 |
| RATED BREAKING CAPACITY, AC- 23A 500 V (A) | 5040 |
| RATED BREAKING CAPACITY, AC- 23A 690 V (A) | 5040 |
| ELECTRICAL ENDURANCE (NUMBER OF OPERATIONS) | 2000 |
| MECHANICAL ENDURANCE (NUMBER OF OPERATIONS) | 10000 |
| TERMINAL / BOLT SIZE CU (MM ²) | M12 |
| MAXIMUM TERMINAL TORQUE (NM) | 50..75 |
| SWITCH TYPE | Load Break Switch |