

# KEA 8160 YR A5

8x160A 400V 90kW

|                |                  |
|----------------|------------------|
| PRODUCT NUMBER | 33642            |
| GTIN           | 6419410336427    |
| TECHNICAL NAME | 8x160A 400V 90kW |
| ETIM CLASS     | EC000216         |

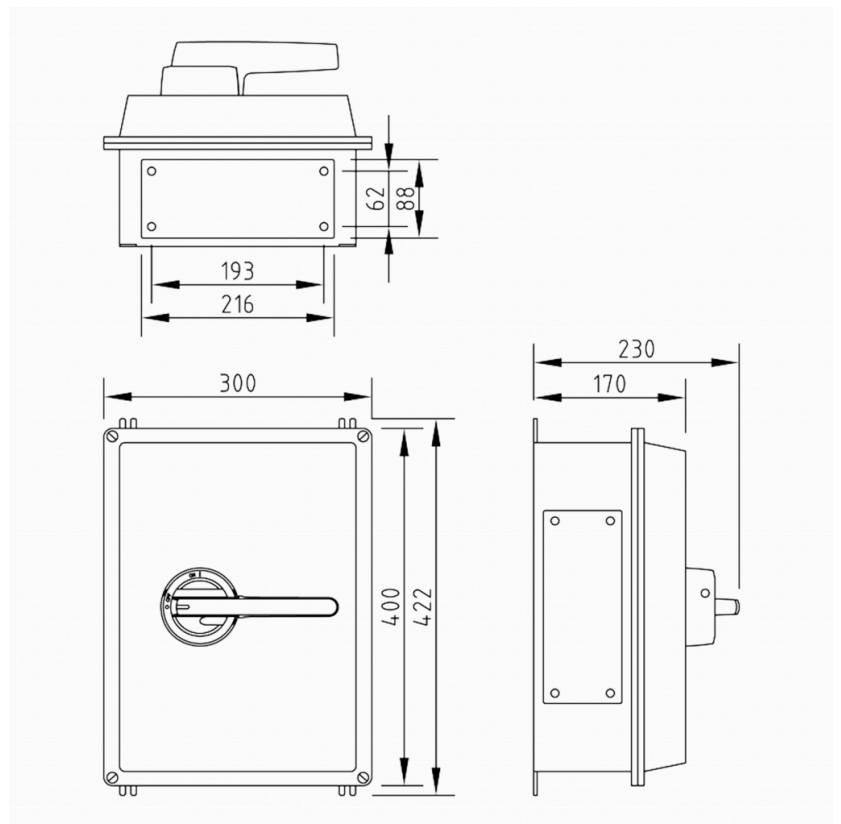
## MEASUREMENTS

|            |           |
|------------|-----------|
| HEIGHT     | 400 mm    |
| WIDTH      | 300 mm    |
| DEPTH      | 170 mm    |
| VOLUME     | 20.4 l    |
| NET WEIGHT | 9.9286 kg |

## LOGISTICAL DATA

|                       |           |
|-----------------------|-----------|
| SALES UNIT            | 1         |
| PACKAGE SIZE 1        | 1         |
| PACKAGE SIZE 1 WEIGHT | 9.9286 kg |

## DIMENSIONAL DRAWING



## TECHNICAL DATA

|  |                         |
|--|-------------------------|
| NUMBER OF POLES  | 8                       |
| ENCLOSURE  | A5 (300 x 400 x 170 mm) |
| ENCLOSURE TYPE   | Aluminium               |
| EMC  | No                      |
| ATEX   | No                      |
| IP RATING  | IP65                    |
| RATED OPERATIONAL CURRENT<br>AC-23A 415 V, IE (A)                                      | 160                     |
| RATED OPERATIONAL CURRENT<br>AC-23A 690 V, IE (A)                                      | 100                     |
| RATED OPERATIONAL POWER, 3-<br>PHASE 1500 RPM SQUIRREL-CAGE<br>MOTOR AC-23A 690 V (KW) | 90                      |
| RATED INSULATION VOLTAGE, UI<br>(V)  | 800                     |
| SWITCH TYPE DESCRIPTION  | Isolating switch        |
| NOMINAL VALUES WITH CABLE<br>SIZE (MM <sup>2</sup> )                                   | 95                      |
| RATED THERMAL CURRENT, ITH<br>(A)  | 200                     |
| RATED THERMAL CURRENT<br>(ENCLOSED), ITHE (A)  | 200                     |
| RATED OPERATIONAL CURRENT<br>AC-21A 415 V, IE (A)                                      | 160                     |
| RATED OPERATIONAL CURRENT<br>AC-21A 500 V, IE (A)                                      | 160                     |
| RATED OPERATIONAL CURRENT<br>AC-21A 690 V, IE (A)                                      | 160                     |
| RATED OPERATIONAL CURRENT<br>AC-22A 415 V, IE (A)                                      | 160                     |
| RATED OPERATIONAL CURRENT<br>AC-22A 500 V, IE (A)                                      | 160                     |
| RATED OPERATIONAL CURRENT<br>AC-22A 690 V, IE (A)                                      | 160                     |
| RATED OPERATIONAL CURRENT<br>AC-23A 500 V, IE (A)                                      | 100                     |

|   |                   |
|---|-------------------|
| RATED OPERATIONAL POWER, 3-PHASE 1500 RPM SQUIRREL-CAGE MOTOR AC-23A 415 V (KW) | 90                |
| RATED OPERATIONAL POWER, 3-PHASE 1500 RPM SQUIRREL-CAGE MOTOR AC-23A 500 V (KW) | 55                |
| RATED FUSED SHORT-CIRCUIT CURRENT, BACK-UP FUSE OPTION 1 (A)                    | 160               |
| RATED FUSED SHORT-CIRCUIT CURRENT, R.M.S. IQ OPTION 1 (KA)                      | 65                |
| RATED FUSED SHORT-CIRCUIT CURRENT, PEAK VALUE (KA)                              | 15                |
| RATED IMPULSE WITHSTAND VOLTAGE, UIMP (KV)                                      | 8                 |
| RATED SHORT-CIRCUIT MAKING CAPACITY, ICM 690 V (KA)                             | 8                 |
| RATED SHORT-TIME WITHSTAND CURRENT 1 S, ICW 690 V (KA)                          | 5                 |
| RATED BREAKING CAPACITY, AC-23A 415 V (A)                                       | 1280              |
| RATED BREAKING CAPACITY, AC-23A 500 V (A)                                       | 800               |
| RATED BREAKING CAPACITY, AC-23A 690 V (A)                                       | 800               |
| ELECTRICAL ENDURANCE (NUMBER OF OPERATIONS)                                     | 2000              |
| MECHANICAL ENDURANCE (NUMBER OF OPERATIONS)                                     | 16000             |
| TERMINAL / BOLT SIZE CU (MM <sup>2</sup> )                                      | 6..70             |
| MAXIMUM TERMINAL TORQUE (NM)  | 6                 |
| SWITCH TYPE   | Load Break Switch |