



 IsoSafe

KEM 225 M2ABS

2x25A 400V 11kW

| | |
|----------------|-----------------|
| PRODUCT NUMBER | 27651 |
| GTIN | 6419410276518 |
| TECHNICAL NAME | 2x25A 400V 11kW |
| ETIM CLASS | EC000216 |

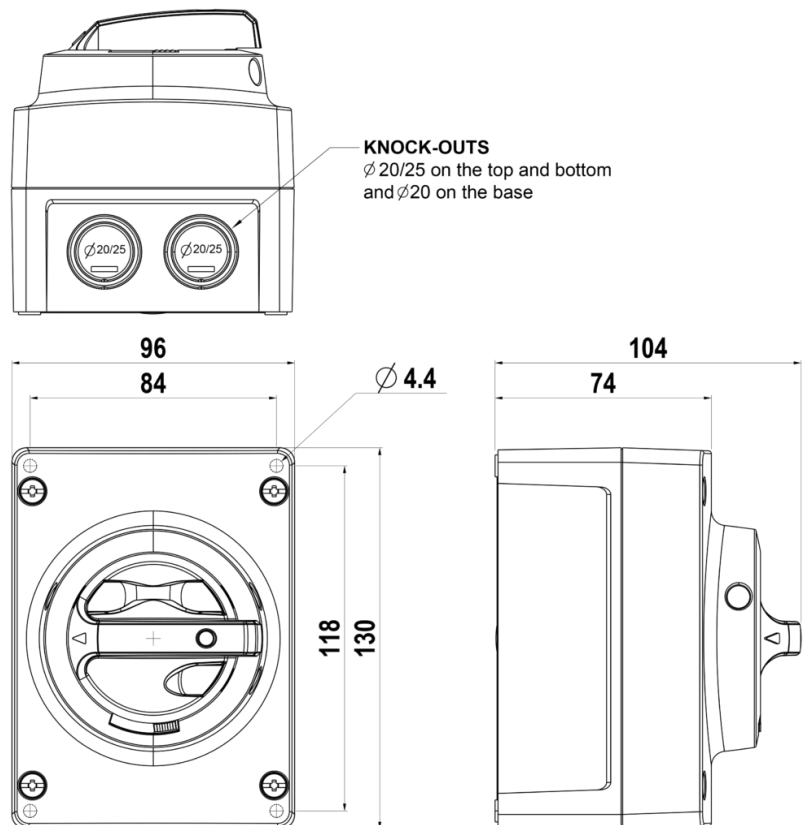
MEASUREMENTS

| | |
|------------|-----------|
| HEIGHT | 130 mm |
| WIDTH | 96 mm |
| DEPTH | 104 mm |
| VOLUME | 1.2979 l |
| NET WEIGHT | 0.3671 kg |

LOGISTICAL DATA

| | |
|-----------------------|-----------|
| SALES UNIT | 1 |
| PACKAGE SIZE 1 | 1 |
| PACKAGE SIZE 1 DEPTH | 104 mm |
| PACKAGE SIZE 1 HEIGHT | 130 mm |
| PACKAGE SIZE 1 WIDTH | 96 mm |
| PACKAGE SIZE 1 WEIGHT | 0.3671 kg |
| PACKAGE SIZE 1 VOLUME | 1.2979 l |

DIMENSIONAL DRAWING



TECHNICAL DATA

| | |
|--|-----------------------|
| NUMBER OF POLES | 2 |
| ENCLOSURE | M2 (96 x 130 x 74 mm) |
| ENCLOSURE TYPE | ABS plastic |
| EMC | No |
| ATEX | No |
| IP RATING | IP65 |
| RATED OPERATIONAL CURRENT AC-23A 415 V, IE (A) | 25 |
| RATED OPERATIONAL POWER, 1- PHASE 1500 RPM SQUIRREL-CAGE MOTOR AC-23A 240 V (KW) | 4 |
| RATED INSULATION VOLTAGE, UI (V) | 800 |
| SWITCH TYPE DESCRIPTION | Isolating switch |
| NOMINAL VALUES WITH CABLE SIZE (MM ²) | 10 |
| RATED THERMAL CURRENT, ITH (A) | 40 |
| RATED THERMAL CURRENT (ENCLOSED), ITHE (A) | 40 |
| RATED OPERATIONAL CURRENT AC-21A 415 V, IE (A) | 40 |
| RATED OPERATIONAL CURRENT AC-22A 415 V, IE (A) | 25 |
| RATED OPERATIONAL CURRENT AC-23A 240 V, IE (A) | 25 |
| RATED FUSED SHORT-CIRCUIT CURRENT, BACK-UP FUSE OPTION 1 (A) | 25 |
| RATED FUSED SHORT-CIRCUIT CURRENT, R.M.S. IQ OPTION 1 (KA) | 50 |
| RATED FUSED SHORT-CIRCUIT CURRENT, PEAK VALUE (KA) | 3.8 |
| RATED IMPULSE WITHSTAND VOLTAGE, UIMP (KV) | 8 |

| | |
|--|-------------------|
| RATED SHORT-CIRCUIT MAKING CAPACITY, ICM 690 V (KA) | 1 |
| RATED SHORT-TIME WITHSTAND CURRENT 1 S, ICW 690 V (KA) | 0.7 |
| RATED BREAKING CAPACITY, AC-23A 415 V (A) | 200 |
| ELECTRICAL ENDURANCE (NUMBER OF OPERATIONS) | 3000 |
| MECHANICAL ENDURANCE (NUMBER OF OPERATIONS) | 50000 |
| TERMINAL / BOLT SIZE CU (MM ²) | 1,5..16 |
| MAXIMUM TERMINAL TORQUE (NM) | 1.8 |
| SWITCH TYPE | Load Break Switch |