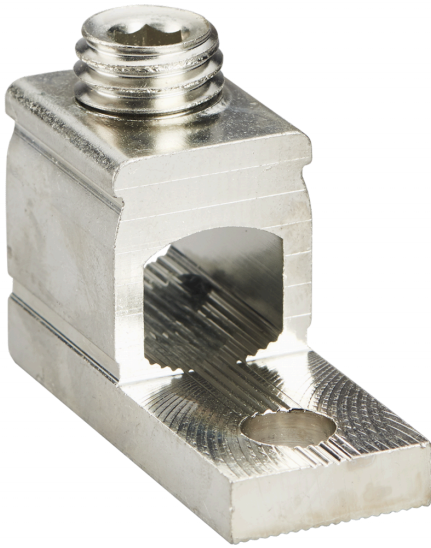



ConnectSafe
KKL1X95


| | |
|----------------|---------------|
| PRODUCT NUMBER | 20023 |
| GTIN | 6419410200230 |
| E-NUMBER FI | 1942129 |
| ETIM CLASS | EC000897 |

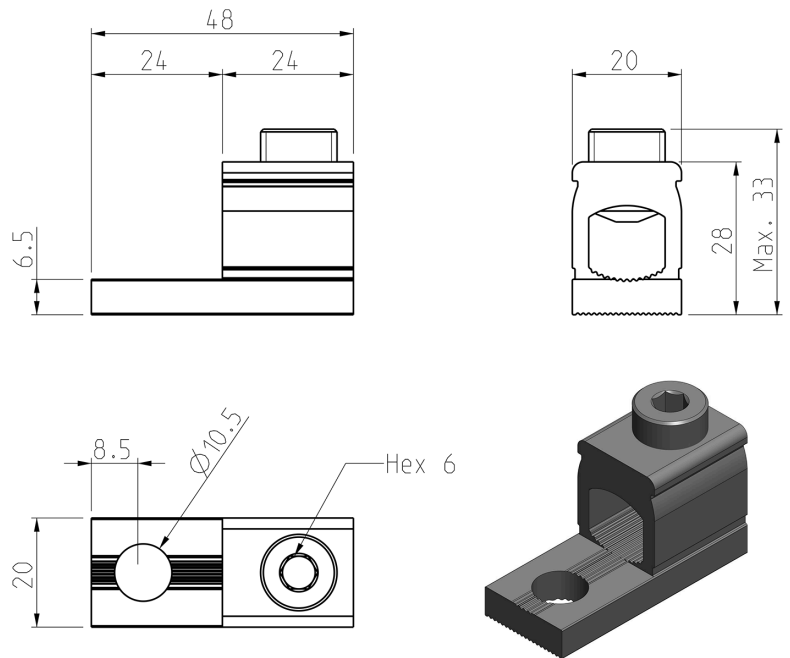
MEASUREMENTS

| | |
|--------|----------|
| HEIGHT | 48 mm |
| WIDTH | 20 mm |
| DEPTH | 28 mm |
| VOLUME | 0.0269 l |

LOGISTICAL DATA

| | |
|----------------|----|
| PACKAGE SIZE 1 | 48 |
|----------------|----|

DIMENSIONAL DRAWING



TECHNICAL DATA

| | |
|--------------------|---|
| ATEX | No |
| TORQUE AL/CU (NM) | 12 (16-50 mm ²) / 22 (70-95 mm ²) |
| KEY SIZE | Hex 6 |
| IN (AL) (A) | 200 |
| IN (CU) (A) | 245 |
| AL MM ² | 6-95 |
| CU MM ² | 6-95 |