



 FuseSafe

## KVKER 3250 R6

3x250 400V 132kW

|                |               |
|----------------|---------------|
| PRODUCT NUMBER | 37811         |
| GTIN           | 6419410378113 |
| ETIM CLASS     | EC001040      |

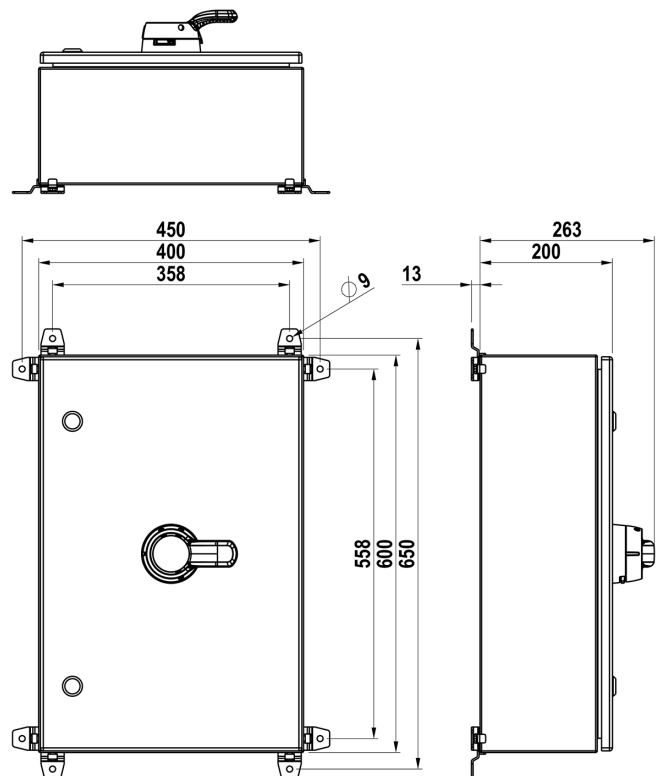
### MEASUREMENTS

|            |            |
|------------|------------|
| HEIGHT     | 600 mm     |
| WIDTH      | 400 mm     |
| DEPTH      | 200 mm     |
| VOLUME     | 48 l       |
| NET WEIGHT | 18.9743 kg |

### LOGISTICAL DATA

|                       |            |
|-----------------------|------------|
| SALES UNIT            | 1          |
| PACKAGE SIZE 1        | 1          |
| PACKAGE SIZE 1 DEPTH  | 200 mm     |
| PACKAGE SIZE 1 HEIGHT | 600 mm     |
| PACKAGE SIZE 1 WIDTH  | 400 mm     |
| PACKAGE SIZE 1 WEIGHT | 18.9743 kg |
| PACKAGE SIZE 1 VOLUME | 48 l       |

### DIMENSIONAL DRAWING



## TECHNICAL DATA

|  |                            |
|--|----------------------------|
| NUMBER OF POLES  | 3                          |
| ENCLOSURE  | R6 (400 x 600 x 200 mm)    |
| ENCLOSURE TYPE   | Stainless steel (AISI 304) |
| ATEX   | No                         |
| RATED OPERATIONAL CURRENT<br>AC-23A 415 V, IE (A)                                      | 250                        |
| RATED OPERATIONAL CURRENT<br>AC-23A 690 V, IE (A)                                      | 250                        |
| RATED OPERATIONAL POWER, 3-<br>PHASE 1500 RPM SQUIRREL-CAGE<br>MOTOR AC-23A 690 V (KW) | 250                        |
| RATED INSULATION VOLTAGE, UI<br>(V)  | 1000                       |
| NOMINAL VALUES WITH CABLE<br>SIZE (MM <sup>2</sup> )                                   | 120                        |
| RATED THERMAL CURRENT, ITH<br>(A)  | 250                        |
| RATED THERMAL CURRENT<br>(ENCLOSED), ITHE (A)  | 250                        |
| RATED OPERATIONAL CURRENT<br>AC-21A 415 V, IE (A)                                      | 250                        |
| RATED OPERATIONAL CURRENT<br>AC-21A 500 V, IE (A)                                      | 250                        |
| RATED OPERATIONAL CURRENT<br>AC-21A 690 V, IE (A)                                      | 250                        |
| RATED OPERATIONAL CURRENT<br>AC-22A 415 V, IE (A)                                      | 250                        |
| RATED OPERATIONAL CURRENT<br>AC-22A 500 V, IE (A)                                      | 250                        |
| RATED OPERATIONAL CURRENT<br>AC-22A 690 V, IE (A)                                      | 250                        |
| RATED OPERATIONAL CURRENT<br>AC-23A 240 V, IE (A)                                      | 250                        |

|  |             |
|--|-------------|
| RATED OPERATIONAL CURRENT<br>AC-23A 500 V, IE (A)                                      | 250         |
| RATED OPERATIONAL POWER, 3-<br>PHASE 1500 RPM SQUIRREL-CAGE<br>MOTOR AC-23A 415 V (KW) | 132         |
| RATED OPERATIONAL POWER, 3-<br>PHASE 1500 RPM SQUIRREL-CAGE<br>MOTOR AC-23A 500 V (KW) | 160         |
| RATED FUSED SHORT-CIRCUIT<br>CURRENT, BACK-UP FUSE OPTION<br>1 (A)                     | 250         |
| RATED FUSED SHORT-CIRCUIT<br>CURRENT, R.M.S. IQ OPTION 1<br>(KA)                       | 50          |
| RATED IMPULSE WITHSTAND<br>VOLTAGE, UIMP (KV)  | 12          |
| RATED SHORT-CIRCUIT MAKING<br>CAPACITY, ICM 690 V (KA)                                 | 7           |
| RATED SHORT-TIME WITHSTAND<br>CURRENT 1 S, ICW 690 V (KA)                              | 5           |
| RATED BREAKING CAPACITY, AC-<br>23A 415 V (A)  | 2000        |
| RATED BREAKING CAPACITY, AC-<br>23A 500 V (A)  | 2000        |
| RATED BREAKING CAPACITY, AC-<br>23A 690 V (A)  | 2000        |
| ELECTRICAL ENDURANCE (NUMBER<br>OF OPERATIONS)   | 2000        |
| MECHANICAL ENDURANCE (NUMBER<br>OF OPERATIONS)   | 16000       |
| TERMINAL / BOLT SIZE CU<br>(MM <sup>2</sup> )  | M10         |
| MAXIMUM TERMINAL TORQUE (NM)   | 30..40      |
| FUSE TYPE: DIN   | 1           |
| SWITCH TYPE  | Switch Fuse |