



 LoadSafe

KU 4200WCO

L200AD12T6LKX100

4x200A 690V AC-22

PRODUCT NUMBER	20529
GTIN	6419410205297
E-NUMBER FI	3602994
TECHNICAL NAME	4x200A 690V AC-22
ETIM CLASS	EC000216

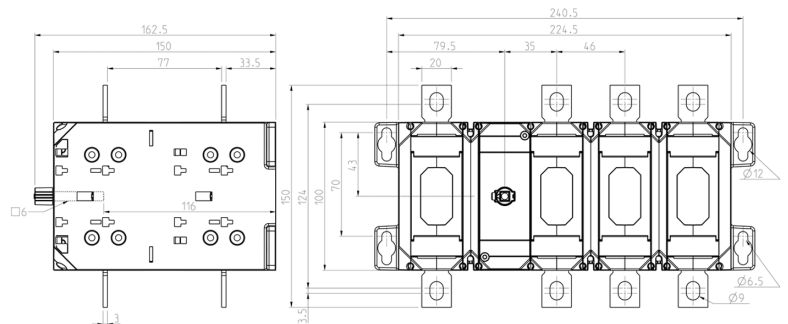
MEASUREMENTS

HEIGHT	163 mm
WIDTH	192 mm
DEPTH	150 mm
VOLUME	4.6944 l
NET WEIGHT	4.4446 kg

DIMENSIONAL DRAWING

LOGISTICAL DATA

SALES UNIT	1
PACKAGE SIZE 1	1
PACKAGE SIZE 1 DEPTH	150 mm
PACKAGE SIZE 1 HEIGHT	163 mm
PACKAGE SIZE 1 WIDTH	150 mm
PACKAGE SIZE 1 WEIGHT	4.4446 kg
PACKAGE SIZE 1 VOLUME	3.6675 l



TECHNICAL DATA

NUMBER OF POLES	4
ATEX	No
RATED OPERATIONAL CURRENT AC-23A 415 V, IE (A)	200
RATED OPERATIONAL CURRENT AC-23A 690 V, IE (A)	200
RATED OPERATIONAL POWER, 3- PHASE 1500 RPM SQUIRREL-CAGE MOTOR AC-23A 690 V (KW)	160
RATED INSULATION VOLTAGE, UI (V)	1000
NOMINAL VALUES WITH CABLE SIZE (MM ²)	95
RATED THERMAL CURRENT, ITH (A)	250
RATED OPERATIONAL CURRENT AC-21A 415 V, IE (A)	200
RATED OPERATIONAL CURRENT AC-21A 500 V, IE (A)	200
RATED OPERATIONAL CURRENT AC-21A 690 V, IE (A)	200
RATED OPERATIONAL CURRENT AC-22A 415 V, IE (A)	200
RATED OPERATIONAL CURRENT AC-22A 500 V, IE (A)	200
RATED OPERATIONAL CURRENT AC-22A 690 V, IE (A)	200
RATED OPERATIONAL CURRENT AC-23A 500 V, IE (A)	200
RATED OPERATIONAL POWER, 3- PHASE 1500 RPM SQUIRREL-CAGE MOTOR AC-23A 415 V (KW)	110

RATED OPERATIONAL POWER, 3-PHASE 1500 RPM SQUIRREL-CAGE MOTOR AC-23A 500 V (KW)	132
RATED FUSED SHORT-CIRCUIT CURRENT, BACK-UP FUSE OPTION 1 (A)	250
RATED FUSED SHORT-CIRCUIT CURRENT, R.M.S. IQ OPTION 1 (KA)	100
RATED FUSED SHORT-CIRCUIT CURRENT, BACK-UP FUSE OPTION 2 (A)	315
RATED FUSED SHORT-CIRCUIT CURRENT, R.M.S. IQ OPTION 2 (KA)	50
RATED FUSED SHORT-CIRCUIT CURRENT, PEAK VALUE (KA)	26
RATED IMPULSE WITHSTAND VOLTAGE, UIMP (KV)	12
RATED SHORT-CIRCUIT MAKING CAPACITY, ICM 690 V (KA)	14
RATED SHORT-TIME WITHSTAND CURRENT 1 S, ICW 1000 V (KA)	8
RATED BREAKING CAPACITY, AC-23A 415 V (A)	1600
RATED BREAKING CAPACITY, AC-23A 500 V (A)	1600
RATED BREAKING CAPACITY, AC-23A 690 V (A)	1600
ELECTRICAL ENDURANCE (NUMBER OF OPERATIONS)	2000
MECHANICAL ENDURANCE (NUMBER OF OPERATIONS)	16000
TERMINAL / BOLT SIZE CU (MM ²)	M8
MAXIMUM TERMINAL TORQUE (NM)	15..22
SWITCH TYPE	Load Break Switch