

 IsoSafe

KEM 460UL98 MF10

4x40A 400V 22kW

PRODUCT NUMBER	31561
GTIN	6419410315613
TECHNICAL NAME	4x40A 400V 22kW
ETIM CLASS	EC000216

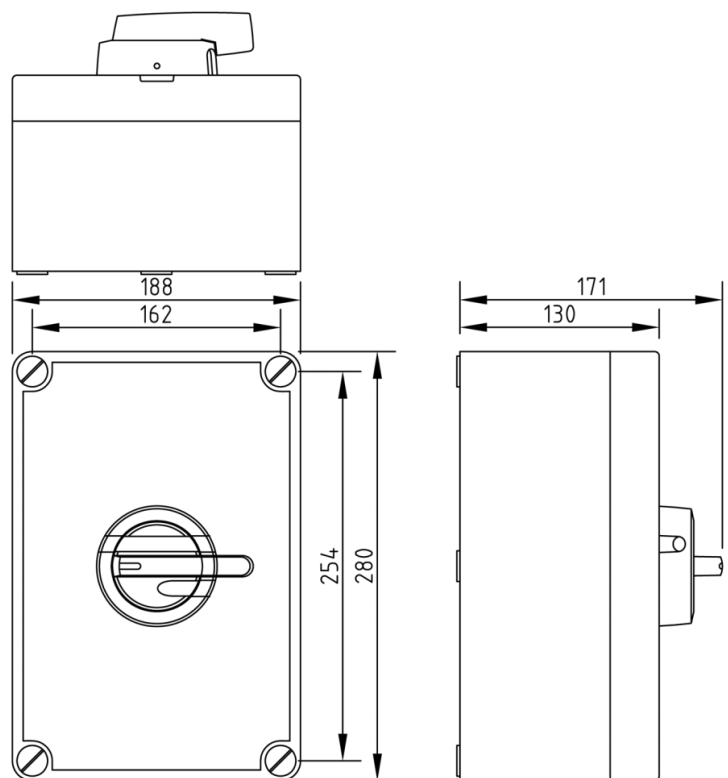
MEASUREMENTS

HEIGHT	280 mm
WIDTH	188 mm
DEPTH	130 mm
VOLUME	6.8432 l
NET WEIGHT	2.2416 kg

LOGISTICAL DATA

PACKAGE SIZE 1 DEPTH	130 mm
PACKAGE SIZE 1 HEIGHT	280 mm
PACKAGE SIZE 1 WIDTH	188 mm
PACKAGE SIZE 1 WEIGHT	2.2416 kg
PACKAGE SIZE 1 VOLUME	6.8432 l

DIMENSIONAL DRAWING



TECHNICAL DATA

NUMBER OF POLES	4
ENCLOSURE	MF10 (188 x 280 x 130 mm)
ENCLOSURE TYPE	Polycarbonate
UL	UL98
EMC	No
ATEX	No
AMPERE RATING (600V)	60
HP 208V	2
HP 240V	25
HP 480V	50
HP 600V	75
SWITCH TYPE DESCRIPTION	Manual motor controller
WIRE SIZE (CU ONLY)	8-1/0 AWG