

 **ConnectSafe**  
**KL1X16PE**

PRODUCT NUMBER	48456
GTIN	6419410484562
E-NUMBER FI	1942128
ETIM CLASS	EC000897

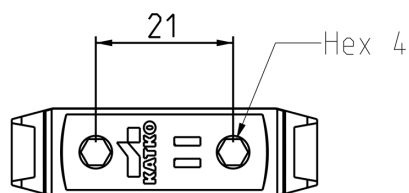
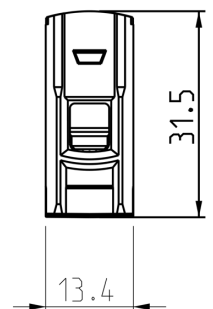
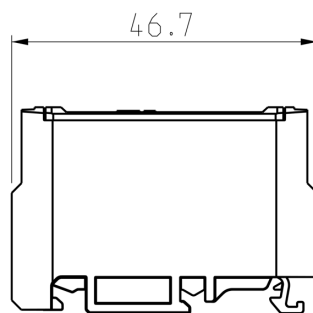
## MEASUREMENTS

HEIGHT	46.7 mm
WIDTH	13.4 mm
DEPTH	31.5 mm
VOLUME	0.0197 l
NET WEIGHT	0.02 kg

## LOGISTICAL DATA

PACKAGE SIZE 1	60
PACKAGE SIZE 1	0.02 kg
WEIGHT	

## DIMENSIONAL DRAWING



## TECHNICAL DATA

ATEX	No
TORQUE AL/CU (NM)	5
KEY SIZE	Hex 4
IN (AL) (A)	75
IN (CU) (A)	76
AL MM <sup>2</sup>	1,5-16
CU MM <sup>2</sup>	1,5-16
NOMINAL VOLTAGE	1000V AC / 1500V DC