



IsoSafe KSM 316 M1

3x16A 400V 7.5kW

PRODUCT NUMBER	37652
GTIN	6419410376522
TECHNICAL NAME	3x16A 400V 7.5kW
ETIM CLASS	EC000216

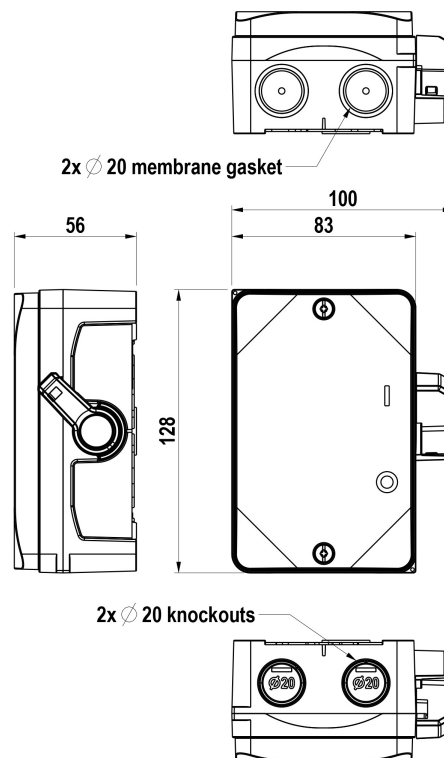
MEASUREMENTS

HEIGHT	128 mm
WIDTH	83 mm
DEPTH	56 mm
VOLUME	0.5949 l
NET WEIGHT	0.3799 kg

LOGISTICAL DATA

SALES UNIT	1
PACKAGE SIZE 1	1
PACKAGE SIZE 1	56 mm
DEPTH	
PACKAGE SIZE 1	128 mm
HEIGHT	
PACKAGE SIZE 1	83 mm
WIDTH	
PACKAGE SIZE 1	0.3799 kg
WEIGHT	
PACKAGE SIZE 1	0.5949 l
VOLUME	
PACKAGE SIZE 2	8
PACKAGE SIZE 2	445 mm
DEPTH	
PACKAGE SIZE 2	135 mm
HEIGHT	
PACKAGE SIZE 2	110 mm
WIDTH	
PACKAGE SIZE 2	3.0392 kg
WEIGHT	

DIMENSIONAL DRAWING



TECHNICAL DATA

NUMBER OF POLES	3
ENCLOSURE	M1 (83 x 128 x 56 mm)
ENCLOSURE TYPE	Polycarbonate
EMC	No
IP RATING	IP67
RATED OPERATIONAL CURRENT AC-23A 415 V, IE (A)	16
RATED INSULATION VOLTAGE, UI (V)	800
SWITCH TYPE DESCRIPTION	Isolating switch
NOMINAL VALUES WITH CABLE SIZE (MM ²)	2.5
RATED THERMAL CURRENT, ITH (A)	16
RATED THERMAL CURRENT (ENCLOSED), ITHE (A)	16
RATED OPERATIONAL CURRENT AC-21A 415 V, IE (A)	16
RATED OPERATIONAL CURRENT AC-21A 500 V, IE (A)	16
RATED OPERATIONAL CURRENT AC-21A 690 V, IE (A)	16
RATED OPERATIONAL CURRENT AC-22A 415 V, IE (A)	16
RATED OPERATIONAL CURRENT AC-22A 500 V, IE (A)	16
RATED OPERATIONAL CURRENT AC-22A 690 V, IE (A)	16
RATED OPERATIONAL POWER, 3- PHASE 1500 RPM SQUIRREL-CAGE MOTOR AC-23A 415 V (KW)	7.5
RATED IMPULSE WITHSTAND VOLTAGE, UIMP (KV)	8

RATED SHORT-CIRCUIT MAKING CAPACITY, ICM 415 V (KA)	1.6
RATED SHORT-TIME WITHSTAND CURRENT 1 S, ICW 415 V (KA)	1.1
RATED BREAKING CAPACITY, AC-23A 415 V (A)	128
ELECTRICAL ENDURANCE (NUMBER OF OPERATIONS)	3000
MECHANICAL ENDURANCE (NUMBER OF OPERATIONS)	20000
TERMINAL / BOLT SIZE CU (MM ²)	1,5..16
MAXIMUM TERMINAL TORQUE (NM)	1.8
SWITCH TYPE	Load Break Switch