



FuseSafe KVKER 380 R6

3x125 400V 55kW

| | |
|----------------|---------------|
| PRODUCT NUMBER | 37806 |
| GTIN | 6419410378069 |
| ETIM CLASS | EC001040 |

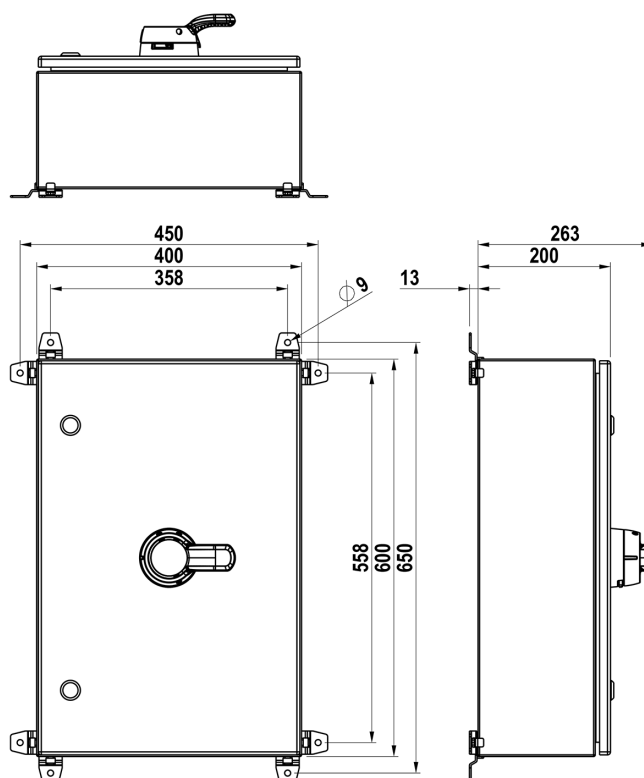
MEASUREMENTS

| | |
|------------|------------|
| HEIGHT | 600 mm |
| WIDTH | 400 mm |
| DEPTH | 200 mm |
| VOLUME | 48 l |
| NET WEIGHT | 17.0727 kg |

LOGISTICAL DATA

| | |
|----------------|------------|
| SALES UNIT | 1 |
| PACKAGE SIZE 1 | 1 |
| PACKAGE SIZE 1 | 200 mm |
| DEPTH | |
| PACKAGE SIZE 1 | 600 mm |
| HEIGHT | |
| PACKAGE SIZE 1 | 400 mm |
| WIDTH | |
| PACKAGE SIZE 1 | 17.0727 kg |
| WEIGHT | |
| PACKAGE SIZE 1 | 48 l |
| VOLUME | |

DIMENSIONAL DRAWING



TECHNICAL DATA

| | |
|--|----------------------------|
| NUMBER OF POLES | 3 |
| ENCLOSURE | R6 (400 x 600 x 200 mm) |
| ENCLOSURE TYPE | Stainless steel (AISI 304) |
| ATEX | No |
| RATED OPERATIONAL CURRENT AC-23A 415 V, IE (A) | 80 |
| RATED OPERATIONAL CURRENT AC-23A 690 V, IE (A) | 80 |
| RATED OPERATIONAL POWER, 3- PHASE 1500 RPM SQUIRREL-CAGE MOTOR AC-23A 690 V (KW) | 75 |
| RATED INSULATION VOLTAGE, UI (V) | 690 |
| NOMINAL VALUES WITH CABLE SIZE (MM ²) | 25 |
| RATED THERMAL CURRENT, ITH (A) | 80 |
| RATED THERMAL CURRENT (ENCLOSED), ITHE (A) | 80 |
| RATED OPERATIONAL CURRENT AC-21A 415 V, IE (A) | 80 |
| RATED OPERATIONAL CURRENT AC-21A 500 V, IE (A) | 80 |
| RATED OPERATIONAL CURRENT AC-21A 690 V, IE (A) | 80 |
| RATED OPERATIONAL CURRENT AC-22A 415 V, IE (A) | 80 |
| RATED OPERATIONAL CURRENT AC-22A 500 V, IE (A) | 80 |
| RATED OPERATIONAL CURRENT AC-22A 690 V, IE (A) | 80 |
| RATED OPERATIONAL CURRENT AC-23A 500 V, IE (A) | 80 |

| | |
|---|-------------|
| RATED OPERATIONAL POWER, 3-PHASE 1500 RPM SQUIRREL-CAGE MOTOR AC-23A 415 V (KW) | 45 |
| RATED OPERATIONAL POWER, 3-PHASE 1500 RPM SQUIRREL-CAGE MOTOR AC-23A 500 V (KW) | 55 |
| RATED FUSED SHORT-CIRCUIT CURRENT, BACK-UP FUSE OPTION 1 (A) | 80 |
| RATED FUSED SHORT-CIRCUIT CURRENT, R.M.S. IQ OPTION 1 (KA) | 50 |
| RATED IMPULSE WITHSTAND VOLTAGE, UIMP (KV) | 8 |
| RATED SHORT-CIRCUIT MAKING CAPACITY, ICM 690 V (KA) | 6 |
| RATED SHORT-TIME WITHSTAND CURRENT 1 S, ICW 690 V (KA) | 4 |
| RATED BREAKING CAPACITY, AC-23A 415 V (A) | 640 |
| RATED BREAKING CAPACITY, AC-23A 500 V (A) | 640 |
| RATED BREAKING CAPACITY, AC-23A 690 V (A) | 640 |
| ELECTRICAL ENDURANCE (NUMBER OF OPERATIONS) | 2000 |
| MECHANICAL ENDURANCE (NUMBER OF OPERATIONS) | 20000 |
| TERMINAL / BOLT SIZE CU (MM ²) | 6..70 |
| MAXIMUM TERMINAL TORQUE (NM) | 6 |
| FUSE TYPE: DIN | 000/00 |
| SWITCH TYPE | Switch Fuse |