


 IsoSafe

KEM 4630 MF04

4x630A 400V 355kW

PRODUCT NUMBER	32761
GTIN	6419410327616
TECHNICAL NAME	4x630A 400V 355kW
ETIM CLASS	EC000216

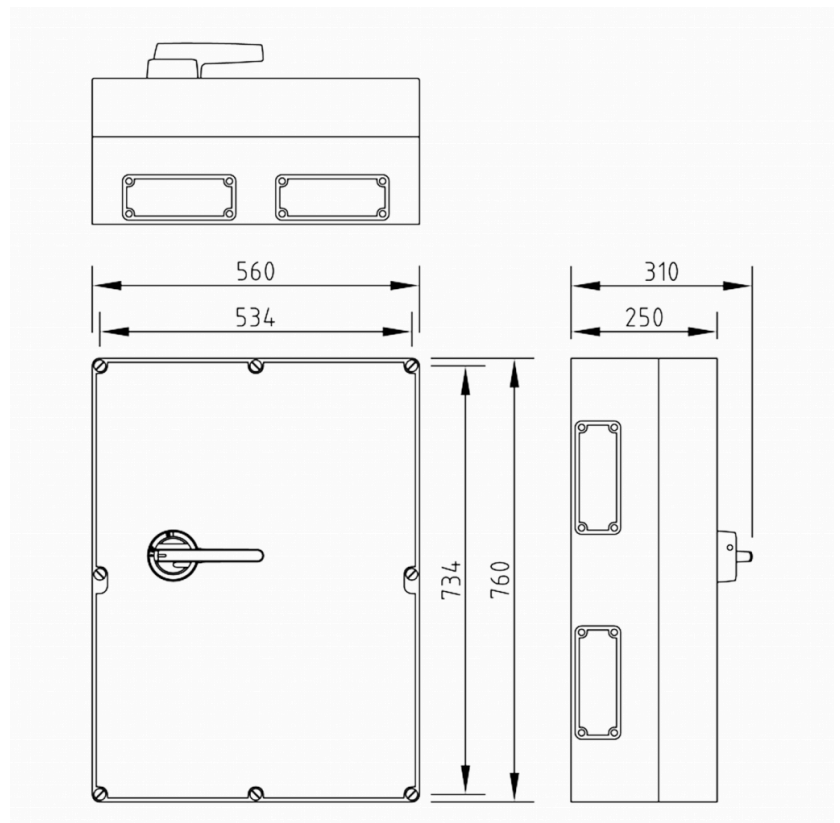
MEASUREMENTS

HEIGHT	760 mm
WIDTH	560 mm
DEPTH	250 mm
VOLUME	106.4 l
NET WEIGHT	22.2576 kg

LOGISTICAL DATA

SALES UNIT	1
PACKAGE SIZE 1	1
PACKAGE SIZE 1 DEPTH	96 mm
PACKAGE SIZE 1 HEIGHT	190 mm
PACKAGE SIZE 1 WIDTH	144 mm
PACKAGE SIZE 1 WEIGHT	22.2576 kg
PACKAGE SIZE 1 VOLUME	2.6266 l

DIMENSIONAL DRAWING



TECHNICAL DATA

NUMBER OF POLES	4
ENCLOSURE	MF04 (560 x 760 x 250 mm)
ENCLOSURE TYPE	Polycarbonate
EMC	No
ATEX	No
IP RATING	IP66
RATED OPERATIONAL CURRENT AC-23A 415 V, IE (A)	630
RATED OPERATIONAL CURRENT AC-23A 690 V, IE (A)	630
RATED OPERATIONAL POWER, 3- PHASE 1500 RPM SQUIRREL-CAGE MOTOR AC-23A 690 V (KW)	630
RATED INSULATION VOLTAGE, UI (V)	1000
SWITCH TYPE DESCRIPTION	Isolating switch
NOMINAL VALUES WITH CABLE SIZE (MM ²)	2*185
RATED THERMAL CURRENT, ITH (A)	630
RATED THERMAL CURRENT (ENCLOSED), ITHE (A)	630
RATED OPERATIONAL CURRENT AC-21A 415 V, IE (A)	630
RATED OPERATIONAL CURRENT AC-21A 500 V, IE (A)	630
RATED OPERATIONAL CURRENT AC-21A 690 V, IE (A)	630
RATED OPERATIONAL CURRENT AC-22A 415 V, IE (A)	630
RATED OPERATIONAL CURRENT AC-22A 500 V, IE (A)	630
RATED OPERATIONAL CURRENT AC-22A 690 V, IE (A)	630

RATED OPERATIONAL CURRENT AC-23A 500 V, IE (A)	630
RATED OPERATIONAL POWER, 3- PHASE 1500 RPM SQUIRREL-CAGE MOTOR AC-23A 415 V (KW)	355
RATED OPERATIONAL POWER, 3- PHASE 1500 RPM SQUIRREL-CAGE MOTOR AC-23A 500 V (KW)	400
RATED FUSED SHORT-CIRCUIT CURRENT, BACK-UP FUSE OPTION 1 (A)	630
RATED FUSED SHORT-CIRCUIT CURRENT, R.M.S. IQ OPTION 1 (KA)	100
RATED FUSED SHORT-CIRCUIT CURRENT, PEAK VALUE (KA)	76
RATED IMPULSE WITHSTAND VOLTAGE, UIMP (KV)	12
RATED SHORT-CIRCUIT MAKING CAPACITY, ICM 690 V (KA)	60
RATED SHORT-TIME WITHSTAND CURRENT 1 S, ICW 1000 V (KA)	28
RATED BREAKING CAPACITY, AC- 23A 415 V (A)	5040
RATED BREAKING CAPACITY, AC- 23A 500 V (A)	5040
RATED BREAKING CAPACITY, AC- 23A 690 V (A)	5040
ELECTRICAL ENDURANCE (NUMBER OF OPERATIONS)	2000
MECHANICAL ENDURANCE (NUMBER OF OPERATIONS)	10000
TERMINAL / BOLT SIZE CU (MM ²)	M12
MAXIMUM TERMINAL TORQUE (NM)	50..75
SWITCH TYPE	Load Break Switch