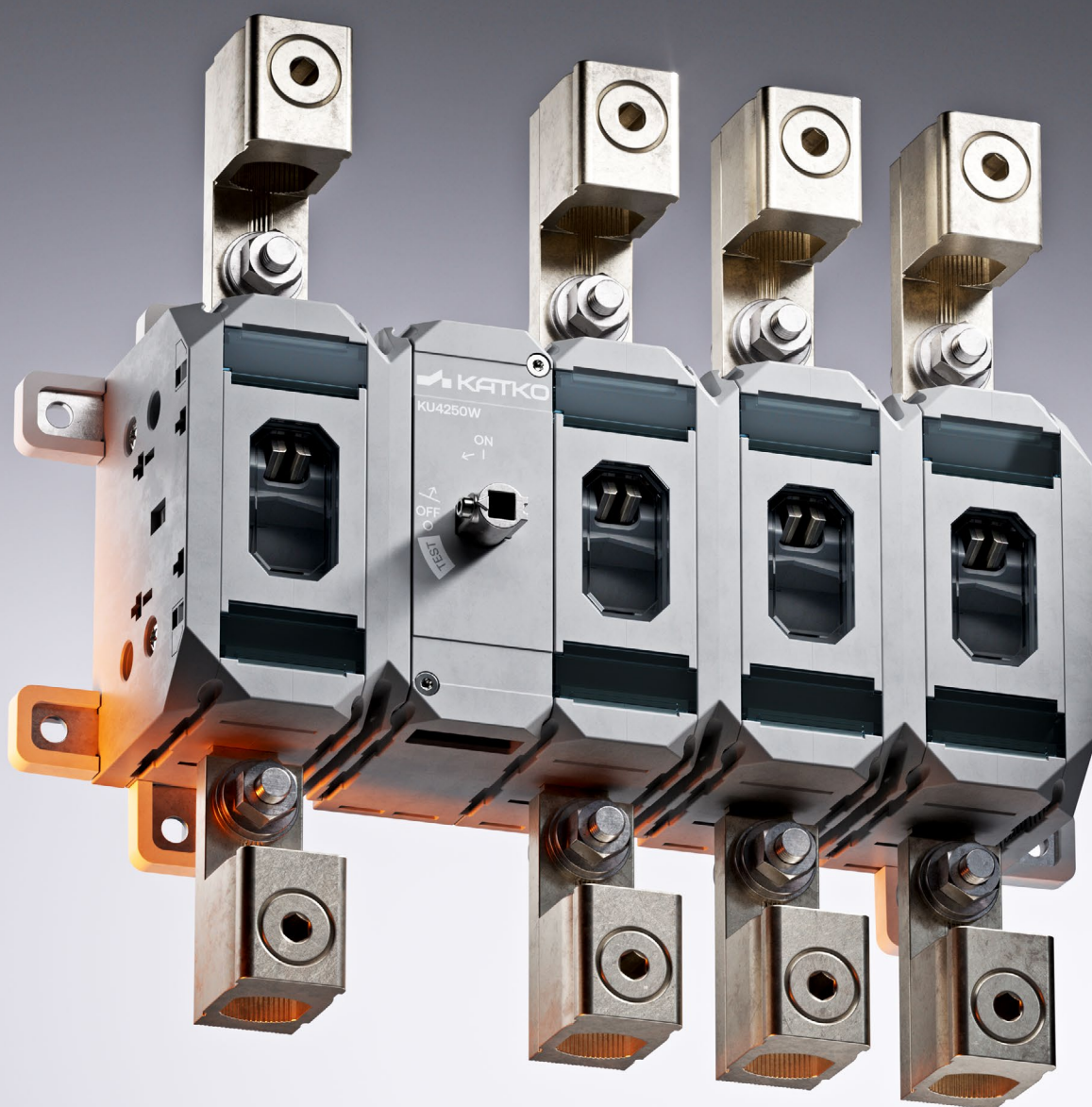


Load Break & Changeover Switches





Built for what
can't fail.

 KATKO

Contents

Load Break & Changeover Switches

Load Break Switches, Technical Data	6
Switches According to IEC 60947-3	8
Load Break Switches 16-63 A	12
Load Break Switches 63-125 A (N)	14
Load Break Switches 100-160 A	16
Load Break Switches 200-250 A & 160 A (P)	18
Load Break Switches 315-400 A	20
Load Break Switches 630-800 A	22
Compact Load Break Switches, Rotaty 200-250 A (VKA)	24
Load Break Switches, Toggle 16-125 A (KUE)	26
Load Break Switches, Toggle 200-250 A (EVA)	28
Changeover Switches 16-40 A	31
Changeover Switches 16-80 A & 125 A (N)	32
Changeover Switches 100-160 A	33
Changeover Switches 200-250 A & 160 A (P)	34
Changeover Switches 315-400 A	35
Changeover Switches 630-800 A	36

UL-Listed Products

UL98 Listed Disconnect Switches 30-100 A	38
UL98 Listed Disconnect Switches 200-400 A	39
UL/cUL Listed Disconnect Switches 16-150 A	40

Dimensional Drawings

Load Break Switches	42
Changeover Switches	57
Switching Diagrams	63
Accessories	64

We are the people behind systems that can't fail.

LoadSafe Load Break Switches

LoadSafe main switches and switch disconnectors embody Finnish design principles: functionality without compromise, clean lines meeting robust engineering, and reliability proven through real-world use and testing. Built to endure, they perform with precision in all environments, from heavy industry to everyday electrical systems.

Refined through decades of development, the LoadSafe range offers load break and changeover switches up to 800 A, available with a broad selection of accessories for flexible and application-specific configurations.

Engineered and manufactured in Finland, LoadSafe products reflect decades of refinement and commitment to quality. Our products are third-party tested and developed with a user-first approach, ensuring reliable performance in real-life applications and outstanding ease of installation. Meeting the highest international safety and quality standards, LoadSafe ensures lasting protection wherever reliability is essential.



LOAD BREAK SWITCHES		KU ROTARY LBS																
		16A	25A	40A	63A (C)	63A (N)	80A (N)	100A	125A (N)	125A	160A	160A (P)	200A	250A	315A	400A	630A	800A
RATED INSULATION VOLTAGE, U_i (V)		800	800	800	800	800	800	800	800	800	800	1000	1000	1000	1000	1000	1000	1000
RATED THERMAL CURRENT, I_{th} (A)		25	40	63	63	80	100	125	125	160	200	200	250	315	315	400	630	800
NOMINAL VALUES WITH CABLE SIZE (mm ²)		4	10	16	16	25	35	70	50	70	95	95	95	120	185	240	2x185	2x300
RATED OPERATIONAL CURRENT, I_o (A)																		
AC-21A	400/415V	25	40	40	63	80	100	125	125	160	160	160	200	250	315	400	630	800
	500V	25	40	40	40	80	100	125	125	160	160	160	200	250	315	400	630	800
	690V	25	40	40	40	80	100	125	125	160	160	160	200	250	315	400	630	800
AC-22A	400/415V	16	25	40	63	63	80	100	125	125	160	160	200	250	315	400	630	800
	500V	16	25	40	40	63	80	100	80	125	160	160	200	250	315	400	630	800
	690V	16	25	40	40	63	80	100	80	125	160	160	200	250	315	400	630	800
AC-23A	400/415V	16	25	40	40	40	63	100	63	125	160	160	200	250	315	400	630	800
	500V	16	25	25	25	40	40	63	40	80	100	160	200	250	315	400	630	800
	690V	16	25	25	25	40	40	63	40	80	100	160	200	250	315	400	630	800
	1000V	-	-	-	-	-	-	-	-	-	-	-	-	135	-	200	-	400
RATED OPERATIONAL POWER, 3-PHASE 1500 RPM SQUIRREL-CAGE MOTOR (KW)																		
AC-23A	400/415V	7.5	11	22	22	22	30	55	30	55	90	90	110	132	160	200	355	400
	500V	7.5	15	15	15	30	30	37	30	55	55	110	132	160	200	250	400	560
	690V	11	22	22	22	37	37	55	37	75	90	132	160	250	315	355	630	800
RATED FUSED SHORT CIRCUIT CURRENT																		
BACK-UP FUSE (A)		25	25	40	40	80	80	160	125	160	160	250	250	250	400	400	630	800
R.M.S. VALUE, I_k (kA)		50	50	25	25	50	50	65	30	65	65	100****	100****	100****	100	100	100	100
PEAK VALUE (kA)		3.8	3.8	4.5	4.5	8.7	8.7	15	10	15	15	26	26	26	42	42	76	76
RATED IMPULSE WITHSTAND VOLTAGE, U_{imp} (kV)		8	8	8	8	8	8	8	8	8	8	12	12	12	12	12	12	12
RATED SHORT CIRCUIT MAKING CAPACITY, I_{cm} (kA)																		
	690V	1	1	1	1	3.1**	3.1**	8	3.1**	8	8	14	14	14	27,5	27,5	60	60
RATED SHORT-TIME WITHSTAND CURRENT 1S, I_{cw} (kA)																		
	690V	0,7	0,7	0,7	0,7	2.0	2.0	5	2.0	5	5	8***	8***	8***	13.5***	13.5***	28***	28***
RATED BREAKING CAPACITY I_{cn} (A)																		
AC-23A	400/415V	128	200	320	320	320	504	800	504	1000	1280	1280	1600	2000	2520	3200	5040	6400
	500V	128	200	200	200	320	320	504	320	640	800	1280	1600	2000	2520	3200	5040	6400
	690V	128	200	200	200	320	320	504	320	640	800	1280	1600	2000	2520	3200	5040	6400
ELECTRICAL ENDURANCE (NUMBER OF OPERATIONS)		3000	3000	3000	3000	3000	3000	2000	3000	2000	2000	2000	2000	2000	2000	2000	2000	2000
MECHANICAL ENDURANCE (NUMBER OF OPERATIONS)		50000	50000	50000	50000	50000	50000	16000	50000	16000	16000	16000	16000	16000	10000	10000	10000	10000
TERMINAL / BOLT SIZE Cu (mm ²)		1.5-16	1.5-16	1.5-16	1.5-16	2.5-35	2.5-35	6-70	2.5-35	6-70	6-70	M8	M8	M8	M10	M10	M12	M12
MAXIMUM TERMINAL TORQUE (Nm)		1.8	1.8	1.8	1.8	2.5	2.5	6	2.5	6	6	15-22	15-22	15-22	30-44	30-44	50-75	50-75
* 415 V																		
** 2.5kA when CCC marked																		
*** 1000V																		
**** 50kA with 315A fuse																		

KUE TOGGLE LBS						EVA TOGGLE LBS		VKA ROTARY LBS		LOAD BREAK SWITCHES	
16A	25A	40A	63A	80A	125A	200A	250A	200A	250A		
800	800	800	800	800	690	690	690	1000	1000	RATED INSULATION VOLTAGE, U_i (V)	
25	40	63	80	100	125	200	250	200	250	RATED THERMAL CURRENT, I_{th} (A)	
4	10	16	25	35	50	95	120	95	120	NOMINAL VALUES WITH CABLE SIZE (mm ²)	
RATED OPERATIONAL CURRENT, I_e (A)											
25	40	63	80	100	125	200	250	200	250	400/415V	AC-21A
25	40	63	80	100	125	-	-	200	250	500V	
25	40	63	80	100	125	-	-	200	250	690V	
16	25	40	63	80	125	200	250	200	250	400/415V	AC-22A
16	25	40	63	80	80	-	-	-	-	500V	
16	25	40	63	80	80	-	-	-	-	690V	
16	25	25	40	63	63	160	200	200	250	400/415V	AC-23A
16	20	20	32	32	32	-	-	-	-	500V	
16	20	20	32	32	32	-	-	-	-	690V	
-	-	-	-	-	-	-	-	-	-	1000V	
RATED OPERATIONAL POWER, 3-PHASE 1500 RPM SQUIRREL-CAGE MOTOR (KW)											
7.5	11	11	22	30	30	75	90	110	132	400/415V	AC-23A
7.5	11	11	22	22	22	-	-	-	-	500V	
11	15	15	30	30	30	-	-	-	-	690V	
RATED FUSED SHORT CIRCUIT CURRENT											
63	63	63	80	80	125	250	250	250	250	BACK-UP FUSE (A)	
50	50	50	50	50	30	50	50	50	50	R.M.S. VALUE, I_k (kA)	
7.2	7.2	7.2	8.7	8.7	10	21	21	22	22	PEAK VALUE (kA)	
8	8	8	8	8	8	6	6	8	8	RATED IMPULSE WITHSTAND VOLTAGE, U_{imp} (kV)	
RATED SHORT CIRCUIT MAKING CAPACITY, I_{cn} (kA)											
2.5	2.5	2.5	3.1**	3.1**	3.3	11.4*	11.4*	11.4*	11.4*	690V	
RATED SHORT-TIME WITHSTAND CURRENT I_S , I_{cw} (kA)											
1.7	1.7	1.7	2.0	2.0	2.3	6.5*	6.5*	6.5*	6.5*	690V	
RATED BREAKING CAPACITY I_{cn} (A)											
128	200	200	320	504	504	1600	1600	1600	2000	400/415V	AC-23A
128	160	160	256	256	320	-	-	-	-	500V	
128	160	160	256	256	320	-	-	-	-	690V	
3000	3000	3000	3000	3000	3000	2000	2000	2000	2000	ELECTRICAL ENDURANCE (NUMBER OF OPERATIONS)	
50000	50000	50000	50000	50000	50000	16000	16000	16000	16000	MECHANICAL ENDURANCE (NUMBER OF OPERATIONS)	
1.5-16	1.5-16	1.5-16	2.5-35	2.5-35	2.5-50	M8	M8	M8	M8	TERMINAL / BOLT SIZE Cu (mm ²)	
1.8	1.8	1.8	2.5	2.5	2.5	15-22	15-22	15-22	15-22	MAXIMUM TERMINAL TORQUE (Nm)	
* 415 V											
** 2.5kA when CCC marked											
*** 1000V											
**** 50kA with 315A fuse											

Switch

A mechanical switching device capable of making, carrying and breaking currents under normal circuit conditions which may include specified operating overload conditions and also carrying for a specified time currents under specified abnormal circuit conditions such as those of short circuit.

Note: A switch may be capable of making, but not breaking, short-circuit currents.

Disconnecter

A mechanical switching device which, in the open position, complies with the requirements specified for the isolating function.

Disconnecter: (working definition) device without on-load making and breaking capacity.

Switch Disconnecter / Load Break Switch

A switch capable of making, carrying and breaking currents under normal circuit conditions and which, in the open position, complies with the isolating requirements specified for a disconnector.

Utilization Category

Utilization category	Use / Application
AC-20A	Connecting and disconnecting under no-load.
AC-21A	Switching of resistive loads including moderate overloads
AC-22A	Switching of mixed loads, inductive and resistive loads including moderate overloads
AC-23A	Switching of motor loads or other highly inductive loads
AC23Ae	Switching of motor loads with higher locked rotor currents *

* Requirements given by asynchronous motors of design NE and HE, according to IEC 60034-12, having extended/higher locked rotor apparent power and current than design N and H respectively, to achieve a higher efficiency class according to the requirements of IEC 60034-30-1.

Protection Against Overvoltage

U_{imp} (Impulse withstand voltage) defines the device's use in abnormal network conditions with overvoltage due to lightning on overhead wires etc.

This characteristic also defines the device's dielectric quality.

Overvoltage protection is ensured by choosing the equipment according to U_{imp} . The 4 impulse withstand categories of use at 400V/ 690V (IEC 60364-4-44) are:

Category	U_{imp}	Applications
1	2,5 kV	Specially protected equipment
2	4 kV	Portable tools, motors, etc.
3	6 kV	Equipment placed in distribution networks
4	8 kV	Equipment placed at the head of an installation.

The U_{imp} rating for most of the KATKO switches is 8kV.

Installation Environment Temperature

To assure the best of operation of KATKO switches the ambient air temperature of installation environment should be in the range of -40°C to + 80°C.

When the ambient temperatures exceed +40°C, the maximum load of the switch may have to be derated. Please contact KATKO for assistance.

Conformity to Standards

KATKO switches are designed to comply with both national and international standards.

- Switches tested according to IEC 60947
- 50-100 kA R.M.S values
- CB Certificates
- UL (US) and \ulcorner UL listed (Canada): UL 60947-4-1A
- UL 98
- CCC
- Lloyd's
- KEMA
- NEMA
- VDE Certificates
- Comply with ISO 9001 and ISO 14001

Load Break Switches 16-800 A Rotary and Toggle Switches

General information:

The professional range of KATKO Load Break Switches consists of rotary and toggle switches. Types KU and VKA are rotary switches while KUE and EVA are toggle switches. The KATKO range is available from 16 A up to 800 A. Also 1000-3150 A is available on request.

KU	16 - 800 A
KUE	16 - 125 A
VKA	200 - 250 A
EVA	200 - 250 A

Rotary switches are available as 3-pole, 4-pole, 6-pole and 8-pole. KATKO switches are rated up to 690V (KU 800, 400 and 250 A switches are rated up to 1000V). KATKO Load Break Switches comply with and are tested according to:

Standards:

IEC 60947-3
UL 60947-4-1A (16-150 A) (please refer to UL section for exact offering)
UL98

Approvals and certificates:

CCA
CB
Lloyd's Register (KU 16 - 160 A)
VDE (KU 16 - 40 A & 200 - 800 A)

Manufacturing and quality processes:

ISO 9001
ISO 14001

General installation and life-cycle manual

KATKO's general installation manual is available on KATKO's website at www.katko.com/terms-conditions. This manual contains important information about installation and maintenance of KATKO's products and must be read by any user of KATKO products.



We don't just produce,
we perfect.



KATKO is a Finnish family-owned company in the electrical industry with over 80 years of experience in designing, manufacturing, and delivering high-quality switches and installation solutions. At KATKO, we are driven by a strong commitment to sustainability and installer-friendly solutions and masters real-world applications through distinctly Finnish design principles: functionality without compromise, beauty in simplicity, built to endure. Supported by our extensive network of distribution partners and manufacturing facilities in Finland and Poland, we are able to ensure the availability of our solutions in over 70 countries around the globe.

Load Break Switches 16-63 A Rotary Switches KU & RT Series



- DIN-rail or screw mounting
- 3-pole and 4-pole KU-switches as standard. 1- and 2-pole upon request
- 6- and 8-pole switches consist of two 3- or 4-pole switches and a parallel kit
- Switch technology by means of silver contacts ensures safe and durable operation
- Compatible with handles LKX50 and LK10
- KU 16-40 A is delivered with lockable black direct handle
- Available with integrated (NO) auxiliary contact or auxiliary contacts can be installed on either or both sides and front.

KU Switches

TYPE	EAN	AC-23A 400/415 V (A)	AC-23A 400/415 V (kW)	AC-23A 690 V (A)	AC-23A 690 V (kW)	SWITCH TYPE	NUMBER OF POLES
KU 316	6419410257692	16	7,5	16	11	Load Break Switch	3
KU 316 FP	6419410364024	16	7,5	16	11	Load Break Switch	3
KU 325	6419410257708	25	11	25	22	Load Break Switch	3
KU 325 FP	6419410364048	25	11	25	22	Load Break Switch	3
KU 340	6419410257715	40	22	25	22	Load Break Switch	3
KU 340 FP	6419410364062	40	22	25	22	Load Break Switch	3
KU 363C	6419410384244	40	22	25	22	Load Break Switch	3
KU 363C FP	6419410384282	40	22	25	22	Load Break Switch with front-plate	3
KU 316NO	6419410260098	16	7,5	16	11	Load Break Switch with auxiliary contact	3+1
KU 316NO FP	6419410364628	16	7,5	16	11	Load Break Switch with front-plate & auxiliary contact	3+1
KU 325NO	6419410260081	25	11	25	22	Load Break Switch with auxiliary contact	3+1
KU 325NO FP	6419410364635	25	11	25	22	Load Break Switch with front-plate & auxiliary contact	3+1
KU 340NO	6419410260074	40	22	25	22	Load Break Switch with auxiliary contact	3+1
KU 340NO FP	6419410364642	40	22	25	22	Load Break Switch with front-plate & auxiliary contact	3+1
KU 416	6419410257722	16	7,5	16	11	Load Break Switch	4
KU 416 FP	6419410364079	16	7,5	16	11	Load Break Switch with front-plate	4
KU 425	6419410257739	25	11	25	22	Load Break Switch	4
KU 425 FP	6419410364086	25	11	25	22	Load Break Switch with front-plate	4
KU 440	6419410257746	40	22	25	22	Load Break Switch	4
KU 440 FP	6419410364093	40	22	25	22	Load Break Switch with front-plate	4
KU 463C	6419410384251	40	22	25	22	Load Break Switch	4
KU 463C FP	6419410384299	40	22	25	22	Load Break Switch with front-plate	4
KU 616	6419410337981	16	7,5	16	11	Load Break Switch	6
KU 625	6419410337998	25	11	25	22	Load Break Switch	6
KU 640	6419410338001	40	22	25	22	Load Break Switch	6
KU 816	6419410338018	16	7,5	16	11	Load Break Switch	8
KU 825	6419410338025	25	11	25	22	Load Break Switch	8
KU 840	6419410338032	40	22	25	22	Load Break Switch	8

RT Switches



- RT version is suitable for door mounting and available in 3-pole version
- Easy and quick to install, when cable routing is efficiently done from the back of the switch, and installation does not require mounting screws
- Switch technology by means of silver contacts ensures safe and durable operation
- Auxiliary contacts can be installed on the side
- A handle is required for installation. The RT version is compatible with handles LKX50, LKX50YR, LK10RT, and LK10RTYR.

TYPE	EAN	AC-23A 400/415 V (A)	AC-23A 400/415 V (KW)	AC-23A 690 V (A)	AC-23A 690 V (KW)	SWITCH TYPE	NUMBER OF POLES
RT 316 L42LKX50	6419410257753	16	7,5	16	11	Door mounting LBS	3
RT 325 L42LKX50	6419410257760	25	11	25	22	Door mounting LBS	3
RT 340 L42LKX50	6419410257777	40	22	25	22	Door mounting LBS	3
RT 363C L42AD11LKX50	6419410384268	40	22	25	22	Door mounting LBS	3
RT 316 L42LKX50YR	6419410257784	16	7,5	16	11	Door mounting LBS	3
RT 325 L42LKX50YR	6419410257791	25	11	25	22	Door mounting LBS	3
RT 340 L42LKX50YR	6419410257807	40	22	25	22	Door mounting LBS	3
RT 363C L42AD11LKX50YR	6419410384275	40	22	25	22	Door mounting LBS	3



Related Accessories



TYPE	ACCESSORY	DESCRIPTION	FOR	EAN
PK40KU3P	Parallel kit	0-1, for extension of the 6-pole switch	KU 3-pole	6419410338049
PK40KU4P	Parallel kit	0-1, for extension of the 8-pole switch	KU 4-pole	6419410338056
LKX50	Handle	Black	All configurations	6419410257852
LKX50YR	Handle	Yellow/red	All configurations	6419410257869
LK10	Handle	Black	All configurations	6419410222539
LK10YR	Handle	Yellow/red	All configurations	6419410222553
LK10RT	Handle	Black	RT	6419410266526
LK10RTYR	Handle	Yellow/red	RT	6419410266533
L100AD11	Shaft	Length 100 mm, aluminium	All configurations	6419410253106
L200AD11	Shaft	Length 200 mm, aluminium	All configurations	6419410253113
L300AD11	Shaft	Length 300 mm, aluminium	All configurations	6419410253120
L100AD11VT	Shaft	Length 100 mm, steel, slanted	All configurations	6419410253168
L200AD11VT	Shaft	Length 200 mm, steel, slanted	All configurations	6419410253175
L300AD11VT	Shaft	Length 300 mm, steel, slanted	All configurations	6419410253182
1N040KU	Auxiliary contact	1NO, screw connect	KU	6419410263914
1NC40KU	Auxiliary contact	1NC, screw connect	KU	6419410263921
1N040QC	Auxiliary contact	1NO, quick connect	KU & RT	6419410263891
1NC40QC	Auxiliary contact	1NC, quick connect	KU & RT	6419410263907
1N040RT	Auxiliary contact	1NO, screw connect	RT	6419410263938
1NC40RT	Auxiliary contact	1NC, screw connect	RT	6419410263945
FP40KU3P	Front-plate	Front-plate for KU 3-pole switch	KU 3-pole	6419410338063
FP40KU3P10C	Auxiliary contact	1NO+1NC, quick connect	KU 3-pole	6419410363751
FP40KU3P20C	Auxiliary contact	2NO+2NC, quick connect	KU 3-pole	6419410363997
FP40KU4P	Front-plate	Front-plate for KU 4-pole switch	KU 4-pole	6419410338070
FP40KU4P10C	Auxiliary contact	1NO+1NC, quick connect	KU 4-pole	6419410363768
FP40KU4P20C	Auxiliary contact	2NO+2NC, quick connect	KU 4-pole	6419410364017
C040KU3P	Changeover kit	Open transition, 1-0-2	3-pole	6419410337844
C040KU4P	Changeover kit	Open transition, 1-0-2	4-pole	6419410337851
CT40KU3P	Changeover kit	Closed transition, 1-1-2-2	3-pole	6419410337943
CT40KU4P	Changeover kit	Closed transition, 1-1-2-2	4-pole	6419410337950

Technical Data

LOAD BREAK SWITCHES		KU & RT ROTARY LBS			
		16A	25A	40A	63A (C)
Rated insulation voltage, U_i (V)		800	800	800	800
Rated thermal current, I_{th} (A)		25	40	63	63
Nominal values with cable size (mm ²)		4	10	16	16
Rated operational current, I_o (A)					
AC-21A	400/415V	25	40	40	63
	500V	25	40	40	40
	690V	25	40	40	40
AC-22A	400/415V	16	25	40	63
	500V	16	25	40	40
	690V	16	25	40	40
AC-23A	400/415V	16	25	40	40
	500V	16	25	25	25
	690V	16	25	25	25
	1000V	-	-	-	-
Rated operational power for 3-phase (1500 r.p.m.) squirrel cage induction motors (kW)					
AC-23	400/415V	7.5	11	22	22
	500V	7.5	15	15	15
	690V	11	22	22	22
Rated fused short circuit current					
Back-up fuse (A)		25	25	40	40
R.M.S. value, I_v (kA)		50	50	25	25
Peak value (kA)		3.8	3.8	4.5	4.5
Impulse withstand voltage, U_{imp} (kV)		8	8	8	8
Rated short circuit making capacity, I_{cm} (kA)					
690V		1	1	1	1
Rated short time withstand current (1 s), I_{sw} (kA)					
690V		0,7	0,7	0,7	0,7
Rated breaking capacity, I_{cn} (A)					
AC-23	400/415V	128	200	320	320
	500V	128	200	200	200
	690V	128	200	200	200
Electrical endurance (number of operations)		3000	3000	3000	3000
Mechanical endurance (number of operations)		50000	50000	50000	50000
Terminals / Bolt size Cu (mm ²)		1.5-16	1.5-16	1.5-16	1.5-16
Max terminal torque (Nm)		1.8	1.8	1.8	1.8

6- and 8-Pole Configurators

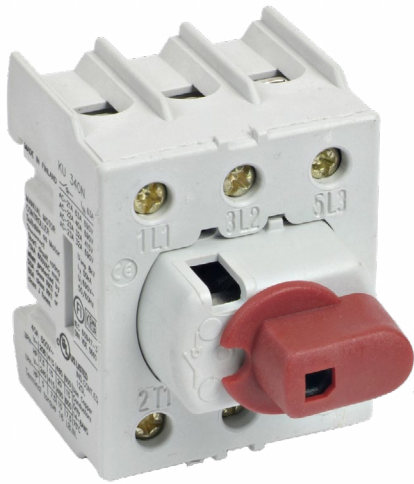
For a 6- or 8 -pole configuration
 2 x 3- or 4-pole KU switches
 1 x Parallel kit:
 PK40KU3P (6-pole) or PK40KU4P (8-pole)

Connectors

TYPE	EAN
KKL3X1X16T	6419410292945



All connectors and more information available in KATKO ConnectSafe Catalogue. You will find it here: www.katko.com/downloads



Load Break Switches 63-80 A & 125 A (N) Rotary Switches KU Series

- DIN-rail mounting
- 3-pole and 4-pole KU-switches as standard. 1- and 2-pole switches upon request
- Switch technology by means of silver contacts ensures safe and durable operation
- Compatible with handles LK10, LK11 and LKX50

Switches

TYPE	EAN	AC-23A 400/415 V (A)	AC-23A 400/415 V (KW)	AC-23A 690 V (A)	AC-23A 690 V (KW)	WEIGHT (KG)	SWITCH TYPE	NUMBER OF POLES
KU 363N	6419410214602	40	22	40	37	0,2	Load Break Switch	3
KU 380N	6419410214701	63	30	40	37	0,2	Load Break Switch	3
KU 3125N	6419410214824	63	30	40	37	0,2	Load Break Switch	3
KU 416N	6419410215005	16	7,5	16	11	0,2	Load Break Switch	4
KU 425N	6419410215203	25	11	25	22	0,2	Load Break Switch	4
KU 440N	6419410215500	32	15	32	30	0,2	Load Break Switch	4
KU 463N	6419410215906	40	22	40	37	0,3	Load Break Switch	4
KU 480N	6419410216002	63	30	40	37	0,3	Load Break Switch	4
KU 4125N	6419410216125	63	30	40	37	0,3	Load Break Switch	4

Related Accessories



TYPE	ACCESSORY	DESCRIPTION	FOR	EAN
LK10	Handle	Black	3, 4, 6 or 8-pole	6419410222539
LK10YR	Handle	Yellow/red	3, 4, 6 or 8-pole	6419410222553
LK11	Handle	Black	3, 4, 6 or 8-pole	6419410222607
LK11YR	Handle	Yellow/red	3, 4, 6 or 8-pole	6419410222614
LK11IP69K	Handle	Black IP69K	3, 4, 6 or 8-pole	6419410483060
LK11YRIP69K	Handle	Yellow/red IP69K	3, 4, 6 or 8-pole	6419410483077
LKX50	Handle	Black	3, 4, 6 or 8-pole	6419410257852
LKX50YR	Handle	Yellow/red	3, 4, 6 or 8-pole	6419410257869
OKAKULK10	Door mounting kit	Black, for 3P switch, with LK10 handle	3-pole	6419410224656
OKAKULK10YR	Door mounting kit	Yellow/red, for 3P switch, with LK10 handle	3-pole	6419410224663
OKAKU4PLK10	Door mounting kit	Black, for 4P switch, with LK10 handle	4-pole	6419410224700
OKAKU4PLK10YR	Door mounting kit	Yellow/red, for 4P switch, with LK10 handle	4-pole	6419410224717
OKAKULK101V	Door mounting kit	1NO/1NC W/ door mounting, black	3-pole	6419410224106
OKA1VYR	Door mounting kit	1NO/1NC W/ door mounting, Y/R	3-pole	6419410224403
OKA2V	Door mounting kit	2NO/2NC W/ door mounting, black	3-pole	6419410224205
OKA2VYR	Door mounting kit	2NO/2NC W/ door mounting, Y/R	3-pole	6419410224502
L100AD11	Shaft	Length 100 mm, aluminium	3, 4, 6 or 8-pole	6419410253106
L200AD11	Shaft	Length 200 mm, aluminium	3, 4, 6 or 8-pole	6419410253113
L300AD11	Shaft	Length 300 mm, aluminium	3, 4, 6 or 8-pole	6419410253120
L100AD11VT	Shaft	Length 100 mm, steel, slanted	3, 4, 6 or 8-pole	6419410253168
L200AD11VT	Shaft	Length 200 mm, steel, slanted	3, 4, 6 or 8-pole	6419410253175
L300AD11VT	Shaft	Length 300 mm, steel, slanted	3, 4, 6 or 8-pole	6419410253182
KU1V	Auxiliary contact	1NO/1NC	3, 4, 6 or 8-pole	6419410300008
KU2V	Auxiliary contact	2NO/2NC	3, 4, 6 or 8-pole	6419410300107
KKU3P	Front-plate	Grey plate, black direct handle	3-pole	6419410221600
KKU4P	Front-plate	Grey plate, black direct handle	4-pole	6419410222805
KKU3PYR	Front-plate	Yellow plate, red direct handle	3-pole	6419410221617
KKU4PYR	Front-plate	Yellow plate, red direct handle	4-pole	6419410222812
RV66	Parallel kit	Length 66 mm, center shaft	2 x 3-pole	6419410226285
RV66S	Parallel kit	Length 66 mm, side shaft	2 x 3-pole	6419410226261
RV80	Parallel kit	Length 80 mm, center shaft	2 x 4-pole	6419410226308
RV80S	Parallel kit	Length 80 mm, side shaft	2 x 4-pole	6419410226292

Technical Data

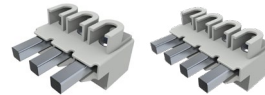
LOAD BREAK SWITCHES	KU ROTARY LBS						
	16A	25A	40A	63A	80A	125A (N)	
Rated insulation voltage, U_i (V)	800	800	800	800	800	800	
Rated thermal current, I_{th} (A)	25	40	63	80	100	125	
Nominal values with cable size (mm ²)	4	10	16	25	35	50	
Rated operational current, I_a (A)							
AC-21A	400/415V	25	40	63	80	100	125
	500V	25	40	63	80	100	125
	690V	25	40	63	80	100	125
AC-22A	400/415V	16	25	40	63	80	125
	500V	16	25	40	63	80	80
	690V	16	25	40	63	80	80
AC-23A	400/415V	16	25	40	40	63	63
	500V	16	25	32	40	40	40
	690V	16	25	32	40	40	40
	1000V	-	-	-	-	-	-
Rated operational power for 3-phase (1500 r.p.m.) squirrel cage induction motors (kW)							
AC-23	400/415V	7.5	11	15	22	30	30
	500V	7.5	15	22	30	30	30
	690V	11	22	30	37	37	37
Rated fused short circuit current							
Back-up fuse (A)	63	63	63	80	80	125	
R.M.S. value, I_v (kA)	50	50	50	50	50	30	
Peak value (kA)	7.2	7.2	7.2	8.7	8.7	10	
Impulse withstand voltage, U_{imp} (kV)	8	8	8	8	8	8	
Rated short circuit making capacity, I_{cs} (kA)							
	690V	2.5	2.5	2.5	3.1**	3.1**	3.1**
Rated short time withstand current (1 s), I_{cw} (kA)							
	690V	1.7	1.7	1.7	2.0	2.0	2.0
Rated breaking capacity, I_{cn} (A)							
AC-23	400/415V	128	200	256	320	504	504
	500V	128	200	256	320	320	320
	690V	128	200	256	320	320	320
Electrical endurance (number of operations)	3000	3000	3000	3000	3000	3000	
Mechanical endurance (number of operations)	50000	50000	50000	50000	50000	50000	
Terminals / Bolt size Cu (mm ²)	1.5-16	1.5-16	1.5-16	2.5-35	2.5-35	2.5-35	
Max terminal torque (Nm)	1.8	1.8	1.8	2.5	2.5	2.5	
* 415 V							
** 2.5kA when CCC marked							

6- and 8-Pole Configurations

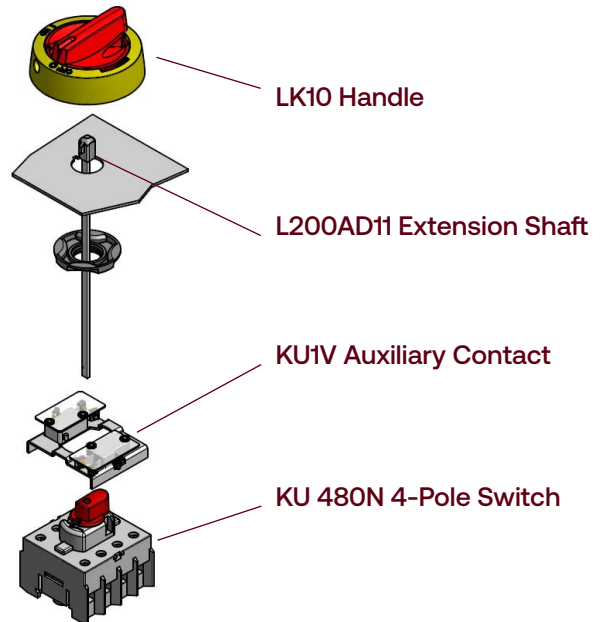
For a 6- or 8 -pole configuration
 2 x 3- or 4-pole KU switches
 1 x Parallel kit:
 RV 66, RV 66S, RV 80, RV 80S
 1 x External handle for 6- or 8-pole

Connectors

TYPE	EAN
KKL1X16 (only top)	6419410378496
KKL3X1X50TE	6419410371961
KKL4X1X50TE	6419410371978



Assembly Example KU 480N



All connectors and more information available in KATKO ConnectSafe Catalogue.
 You will find it here: www.katko.com/downloads

Load Break Switches 100-160 A Rotary Switches KU Series



- Modular design
- DIN-rail or screw mounting
- 3- and 4-pole switches as standard
- 6- and 8-pole switches consist of two 3- or 4-pole switches and a parallel kit
- Switch technology by means of silver contacts ensures safe and durable operation
- Compatible with handles LK10, LK11 (3-and 4-poles), LK12 and LKX100 (6- and 8-poles)
- Shafts: L100/200/300AD11 and L100/200/300 AD11VT (3- and 4-poles), L100/200/300AD12T (6-and 8-poles)

Switches

TYPE	EAN	AC-23A 400/415 V (A)	AC-23A 400/415 V (KW)	AC-23A 690 V (A)	AC-23A 690 V (KW)	WEIGHT (KG)	SWITCH TYPE	NUMBER OF POLES
KU 3100	6419410203484	100	55	63	55	0,5	Load Break Switch	3
KU 3125	6419410203491	125	55	80	75	0,5	Load Break Switch	3
KU 3160	6419410203507	160	90	100	90	0,5	Load Break Switch	3
KU 4100	6419410203675	100	55	63	55	0,6	Load Break Switch	4
KU 4125	6419410203682	125	55	80	75	0,6	Load Break Switch	4
KU 4160	6419410203514	160	90	100	90	0,6	Load Break Switch	4
KU 6100	6419410203521	100	55	63	55	1	Load Break Switch	6
KU 6125	6419410203538	125	55	80	75	1	Load Break Switch	6
KU 6160	6419410203545	160	90	100	90	1	Load Break Switch	6
KU 8100	6419410203552	100	55	63	55	1,2	Load Break Switch	8
KU 8125	6419410203569	125	55	80	75	1,2	Load Break Switch	8
KU 8160	6419410203576	160	90	100	90	1,2	Load Break Switch	8

Related Accessories



TYPE	ACCESSORY	DESCRIPTION	FOR	EAN
LK10	Handle	Black	3- & 4-pole	6419410222539
LK10YR	Handle	Yellow/red	3- & 4-pole	6419410222553
LK11	Handle	Black	3- & 4-pole	6419410222607
LK11YR	Handle	Yellow/red	3- & 4-pole	6419410222614
LK11IP69K	Handle	Black	3- & 4-pole	6419410483060
LK11YRIP69K	Handle	Yellow/red	3- & 4-pole	6419410483077
LKX100	Handle	Black	6- & 8-pole	6419410483565
LKX100YR	Handle	Yellow/red	6- & 8-pole	6419410483596
LK12	Handle	Black	6- & 8-pole	6419410222683
LK12YR	Handle	Yellow/red	6- & 8-pole	6419410222690
L100AD11VT	Shaft	Length 100 mm, steel, slanted	With LK10 and LK11 handles	6419410253168
L200AD11VT	Shaft	Length 200 mm, steel, slanted	With LK10 and LK11 handles	6419410253175
L300AD11VT	Shaft	Length 300 mm, steel, slanted	With LK10 and LK11 handles	6419410253182
L100AD12VT	Shaft	Length 100 mm, steel, slanted	With LK12 handle	6419410253076
L200AD12VT	Shaft	Length 200 mm, steel, slanted	With LK12 handle	6419410253083
L300AD12VT	Shaft	Length 300 mm, steel, slanted	With LK12 handle	6419410253090
PK100KU	Parallel Kit	Parallel kit	For 2 x 3- or 4-pole switches	6419410203668
1V160KU	Auxiliary contact	1NO/1NC	For all configurations	6419410300022
2V160KU	Auxiliary contact	2NO/2NC	For all configurations	6419410300114
LS160	Cover	Terminal cover for 3 poles	For all configurations. Covers 3 poles.	6419410203699
LSN160	Cover	Terminal cover for N-pole	4- & 8-pole and 4-pole changeover	6419410203705
VS160	Phase barrier	Phase barrier (1 pc)	For all configurations. Covers 3 poles.	6419410203833

Technical Data

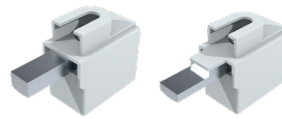
LOAD BREAK SWITCHES		KU ROTARY LBS		
		100A	125A	160A
Rated insulation voltage, U_i (V)		800	800	800
Rated thermal current, I_{th} (A)		125	160	200
Nominal values with cable size (mm ²)		70	70	95
Rated operational current, I_e (A)				
AC-21A	400/415V	125	160	160
	500V	125	160	160
	690V	125	160	160
AC-22A	400/415V	100	125	160
	500V	100	125	160
	690V	100	125	160
AC-23A	400/415V	100	125	160
	500V	63	80	100
	690V	63	80	100
	1000V	-	-	-
Rated operational power for 3-phase (1500 r.p.m.) squirrel cage induction motors (kW)				
AC-23	400/415V	55	55	90
	500V	37	55	55
	690V	55	75	90
Rated fused short circuit current				
Back-up fuse (A)		160	160	160
R.M.S. value, I_x (kA)		65	65	65
Peak value (kA)		15	15	15
Impulse withstand voltage, U_{imp} (kV)		8	8	8
Rated short circuit making capacity, I_{cm} (kA)				
	690V	8	8	8
Rated short time withstand current (1 s), I_{cw} (kA)				
	690V	5	5	5
Rated breaking capacity, I_{bn} (A)				
AC-23	400/415V	800	1000	1280
	500V	504	640	800
	690V	504	640	800
Electrical endurance (number of operations)		2000	2000	2000
Mechanical endurance (number of operations)		16000	16000	16000
Terminals / Bolt size Cu (mm ²)		6-70	6-70	6-70
Max terminal torque (Nm)		6	6	6

6- and 8-Pole Configurations

For a 6- or 8-pole configuration
 2 x 3- or 4-pole KU switches
 1 x Parallel kit:
 PK160KU
 1 x External handle (LK12) for 6- or 8-pole
 1 x Shaft for LK12

Connectors

TYPE	EAN
KKL1X50T2	6419410378502
KKL1X120T	6419410378700



All connectors and more information available in KATKO ConnectSafe Catalogue.

You will find it here: www.katko.com/downloads

Load Break Switches 200-250 A & 160 A (P) Rotary Switches KU Series



reddot winner 2021 industrial design



- Reliable switch for demanding industrial applications
- Made of 100% recyclable thermoplastic material
- The modular structure enables the drive mechanism position to be varied, mention when ordering
- Easy to install auxiliary contacts (1V160KU & 2V160KU)
- Available with terminal covers (LS250F & LS250H) and phase barriers (VS250)
- Available with direct handle (Operation = Direct handle); or handle (LKX100) and shaft (T6 AD12, 200mm shaft) (Operation = External handle)
- Handle and shaft are included in the package
- Available with yellow/red handle (LKX100YR) and different length shaft when ordered separately
- 160 (P) model is an option for KATKO's regular 160 A switch and suitable for industrial applications

Made of recyclable halogen-free V0 plastic and next generation modular design. LoadSafe KU 200-800 A range was awarded with Red Dot (2021) industrial product design award.

Switches

TYPE	EAN	AC-23A 690 V (A)	AC-23A 690 V (KW)	WEIGHT (KG)	OPERATION	SWITCH TYPE	NUMBER OF POLES
EXTERNAL HANDLE AND SHAFT (INCLUDED)							
KU 3200W L200AD12T6LKX100	6419410205198	200	160	1	External handle	Load Break Switch	3
KU 3250W L200AD12T6LKX100	6419410205204	250	250	1	External handle	Load Break Switch	3
KU 4200W L200AD12T6LKX100	6419410205211	200	160	1,3	External handle	Load Break Switch	4
KU 4250W L200AD12T6LKX100	6419410205228	250	250	1,3	External handle	Load Break Switch	4
KU 6200W L200AD12T6LKX100	6419410205235	200	160	2,1	External handle	Load Break Switch	6
KU 6250W L200AD12T6LKX100	6419410205242	250	250	2,1	External handle	Load Break Switch	6
KU 8200W L200AD12T6LKX100	6419410205259	200	160	2,6	External handle	Load Break Switch	8
KU 8250W L200AD12T6LKX100	6419410205266	250	250	2,6	External handle	Load Break Switch	8
KU 3160PW L200AD12T6LKX100	6419410205464	160	132	1	External handle	Load Break Switch	3
KU 4160PW L200AD12T6LKX100	6419410205471	160	132	1,3	External handle	Load Break Switch	4
KU 6160PW L200AD12T6LKX100	6419410205488	160	132	2,1	External handle	Load Break Switch	6
KU 8160PW L200AD12T6LKX100	6419410205495	160	132	2,6	External handle	Load Break Switch	8
DIRECT HANDLE							
KU 3200W SV	6419410205310	200	160	1	Direct handle	Load Break Switch	3
KU 3250W SV	6419410205327	250	250	1	Direct handle	Load Break Switch	3
KU 4200W SV	6419410205334	200	160	1,3	Direct handle	Load Break Switch	4
KU 4250W SV	6419410205341	250	250	1,3	Direct handle	Load Break Switch	4
KU 6200W SV	6419410205426	200	160	2,1	Direct handle	Load Break Switch	6
KU 6250W SV	6419410205433	250	250	2,1	Direct handle	Load Break Switch	6
KU 8200W SV	6419410205440	200	160	2,6	Direct handle	Load Break Switch	8
KU 8250W SV	6419410205457	250	250	2,6	Direct handle	Load Break Switch	8
KU 3160PW SV	6419410205525	160	132	1	Direct handle	Load Break Switch	3
KU 4160PW SV	6419410205532	160	132	1,3	Direct handle	Load Break Switch	4
KU 6160PW SV	6419410205549	160	132	2,1	Direct handle	Load Break Switch	6
KU 8160PW SV	6419410205556	160	132	2,6	Direct handle	Load Break Switch	8

Related Accessories

TYPE	ACCESSORY	DESCRIPTION	FOR	EAN
LKX100	Handle	Black handle	Standard external handle	6419410483565
LKX100YR	Handle	Yellow/red handle	Optional external handle	6419410483596
L200AD12T6	Shaft	Length 200 mm, 6 mm steel shaft	Standard shaft with external handle	6419410271063
1V160KU	Auxiliary contact	1N0/1NC	For all configurations	6419410300022
2V160KU	Auxiliary contact	2N0/2NC	For all configurations	6419410300114
LS250H	Terminal cover	1-pole terminal cover. High model.	Use with vertical (VB & VM) cable connectors	6419410205419
LS250F	Terminal cover	1-pole terminal cover. Flush model.	Use with regular cable connectors	6419410205402
VS250	Phase Barrier	Phase barrier	For all configurations	6419410205396

Technical Data

LOAD BREAK SWITCHES		KU ROTARY LBS		
		160A (P)	200A	250A
Rated insulation voltage, U_i (V)		1000	1000	1000
Rated thermal current, I_{th} (A)		200	250	315
Nominal values with cable size (mm ²)		95	95	120
Rated operational current, I_o (A)				
AC-21A	400/415V	160	200	250
	500V	160	200	250
	690V	160	200	250
AC-22A	400/415V	160	200	250
	500V	160	200	250
	690V	160	200	250
AC-23A	400/415V	160	200	250
	500V	160	200	250
	690V	160	200	250
	1000V	-	-	135
Rated operational power for 3-phase (1500 r.p.m.) squirrel cage induction motors (kW)				
AC-23	400/415V	90	110	132
	500V	110	132	160
	690V	132	160	250
Rated fused short circuit current				
Back-up fuse (A)		250	250	250
R.M.S. value, I_k (kA)		100****	100****	100****
Peak value (kA)		26	26	26
Impulse withstand voltage, U_{imp} (kV)		12	12	12
Rated short circuit making capacity, I_{cs} (kA)				
	690V	14	14	14
Rated short time withstand current (1 s), I_{cw} (kA)				
	690V	8***	8***	8***
Rated breaking capacity, I_{cn} (A)				
AC-23	400/415V	1280	1600	2000
	500V	1280	1600	2000
	690V	1280	1600	2000
Electrical endurance (number of operations)		2000	2000	2000
Mechanical endurance (number of operations)		16000	16000	16000
Terminals / Bolt size Cu (mm ²)		M8	M8	M8
Max terminal torque (Nm)		15-22	15-22	15-22
*** 1000V				
**** 50kA with 315A fuse				

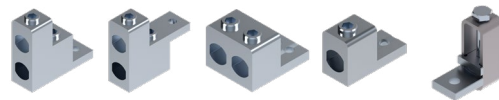
6- and 8-Pole Configurations

6- and 8-pole configurations are factory assembled and cannot be self-assembled.

6- and 8-pole configurations are always supplied with an external handle and a shaft.

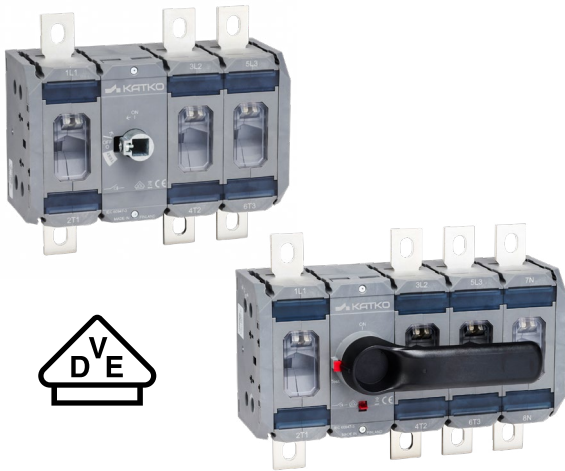
Connectors

TYPE	EAN
KKL2X50	6419410378588
KKL1X95	6419410200230
KKL1X150	6419410378618
KKL2X150VM	6419410484302
KKL1X240M8	6419410229149
KKL2X240VB	6419410484333
KLH2X240	6419410358597



All connectors and more information available in KATKO ConnectSafe Catalogue. You will find it here: www.katko.com/downloads

Load Break Switches 315-400 A Rotary Switches KU Series



- Reliable switch for demanding industrial applications
- Made of 100% recyclable thermoplastic material
- The modular structure enables the drive mechanism position to be varied, mention when ordering
- Easy to install auxiliary contacts (1V160KU & 2V160KU)
- Available with terminal covers (LS400F & LS400H) and phase barriers (VS400)
- Available with direct handle (Operation = Direct handle); or handle (LKX150) and shaft (LVK228, 228mm shaft) (Operation = External handle)
- Handle and shaft are included in the package
- Available with yellow/red handle (LKX150YR) and different length shaft when ordered separately



red dot winner 2021
industrial design

Made of recyclable halogen-free V0 plastic and next generation modular design. LoadSafe KU 200-800 A range was awarded with Red Dot (2021) industrial product design award.

Switches

TYPE	EAN	AC-23A 690 V (A)	AC-23A 690 V (KW)	WEIGHT (KG)	OPERATION	SWITCH TYPE	NUMBER OF POLES
EXTERNAL HANDLE AND SHAFT (INCLUDED)							
KU 3315 LVK228LKX150	6419410300152	315	315	2,9	External handle	Load Break Switch	3
KU 3400 LVK228LKX150	6419410300169	400	355	2,9	External handle	Load Break Switch	3
KU 4315 LVK228LKX150	6419410300176	315	315	3,4	External handle	Load Break Switch	4
KU 4400 LVK228LKX150	6419410300183	400	355	3,4	External handle	Load Break Switch	4
KU 6315 LVK228LKX150	6419410300190	315	315	5,8	External handle	Load Break Switch	6
KU 6400 LVK228LKX150	6419410300213	400	355	5,8	External handle	Load Break Switch	6
KU 8315 LVK228LKX150	6419410300220	315	315	6,7	External handle	Load Break Switch	8
KU 8400 LVK228LKX150	6419410300237	400	355	6,7	External handle	Load Break Switch	8
DIRECT HANDLE							
KU 3315 SV	6419410300282	315	315	2,5	Direct handle	Load Break Switch	3
KU 3400 SV	6419410300299	400	355	2,5	Direct handle	Load Break Switch	3
KU 4315 SV	6419410300312	315	315	3	Direct handle	Load Break Switch	4
KU 4400 SV	6419410300329	400	355	3	Direct handle	Load Break Switch	4

Related Accessories



TYPE	ACCESSORY	DESCRIPTION	FOR	EAN
LKX150	Handle	Black handle	Delivered as external handle	6419410483572
LKX150YR	Handle	Yellow/red handle	Option as external handle	6419410483602
LVK228	Shaft	Length 228 mm, steel	Delivered with external handle	6419410221440
1V160KU	Auxiliary contact	1NO/1NC	For all configurations	6419410300022
2V160KU	Auxiliary contact	2NO/2NC	For all configurations	6419410300114
LS400H	Terminal cover	1-pole terminal cover. High model.	Use with vertical (VB & VM) cable connectors	6419410300398
LS400F	Terminal cover	1-pole terminal cover. Flush model.	Use with regular cable connectors	6419410300381
VS400	Phase Barrier	Phase barrier	For all configurations	6419410300374

Technical Data

LOAD BREAK SWITCHES	KU ROTARY LBS		
	315A	400A	
Rated insulation voltage, U_n (V)	1000	1000	
Rated thermal current, I_{th} (A)	315	400	
Nominal values with cable size (mm ²)	185	240	
Rated operational current, I_n (A)			
AC-21A	400/415V	315	400
	500V	315	400
	690V	315	400
AC-22A	400/415V	315	400
	500V	315	400
	690V	315	400
AC-23A	400/415V	315	400
	500V	315	400
	690V	315	400
	1000V	-	200
Rated operational power for 3-phase (1500 r.p.m.) squirrel cage induction motors (kW)			
AC-23	400/415V	160	200
	500V	200	250
	690V	315	355
Rated fused short circuit current			
Back-up fuse (A)	400	400	
R.M.S. value, I_n (kA)	100	100	
Peak value (kA)	42	42	
Impulse withstand voltage, U_{imp} (kV)	12	12	
Rated short circuit making capacity, I_{cm} (kA)			
	690V	27,5	27,5
Rated short time withstand current (1 s), I_{scw} (kA)			
	690V	13.5***	13.5***
Rated breaking capacity, I_{bn} (A)			
AC-23	400/415V	2520	3200
	500V	2520	3200
	690V	2520	3200
Electrical endurance (number of operations)	2000	2000	
Mechanical endurance (number of operations)	10000	10000	
Terminals / Bolt size Cu (mm ²)	M10	M10	
Max terminal torque (Nm)	30-44	30-44	
*** 1000V			

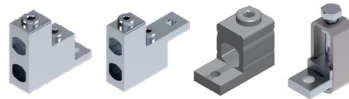
6- and 8-Pole Configurations

6- and 8-pole configurations are factory assembled and cannot be self-assembled.

6- and 8-pole configurations are always supplied with an external handle and a shaft.

Connectors

TYPE	EAN
KKL1X150	6419410378618
KKL2X150VM	6419410484302
KKL1X240	6419410378632
KKL2X240VB	6419410484333
KLH2X240	6419410358597



All connectors and more information available in KATKO ConnectSafe Catalogue. You will find it here: www.katko.com/downloads

Load Break Switches 630-800 A Rotary Switches KU Series



red dot winner 2021
industrial design

Made of recyclable halogen-free V0 plastic and next generation modular design. LoadSafe KU 200-800 A range was awarded with Red Dot (2021) industrial product design award.

- Reliable switch for demanding industrial applications
- Made of 100% recyclable thermoplastic material
- The modular structure enables the drive mechanism position to be varied, mention when ordering
- Easy to install auxiliary contacts (1V160KU & 2V160KU)
- Available with terminal covers (LS800F & LS800H) and phase barriers (VS800)
- Available with direct handle (Operation = Direct handle); or handle (LKX150) and shaft (LVK228, 228mm shaft) (Operation = External handle)
- Handle and shaft are included in the package
- Available with yellow/red handle (LKX150YR) and different length shaft when ordered separately

Switches

TYPE	EAN	AC-23A 400/415 V (A)	AC-23A 400/415 V (KW)	AC-23A 690 V (A)	AC-23A 690 V (KW)	WEIGHT (KG)	OPERATION	SWITCH TYPE	NUMBER OF POLES
EXTERNAL HANDLE AND SHAFT (INCLUDED)									
KU 3630 LVK228LKX150	6419410483626	630	355	630	630	4,5	External handle	Load Break Switch	3
KU 3800 LVK228LKX150	6419410483633	800	400	800	800	4,5	External handle	Load Break Switch	3
KU 4630 LVK228LKX150	6419410483640	630	355	630	630	5,6	External handle	Load Break Switch	4
KU 4800 LVK228LKX150	6419410483657	800	400	800	800	5,6	External handle	Load Break Switch	4
KU 6630 LVK228LKX150	6419410483664	630	355	630	630	9	External handle	Load Break Switch	6
KU 6800 LVK228LKX150	6419410483671	800	400	800	800	9	External handle	Load Break Switch	6
KU 8630 LVK228LKX150	6419410483688	630	355	630	630	11,2	External handle	Load Break Switch	8
KU 8800 LVK228LKX150	6419410483695	800	400	800	800	11,2	External handle	Load Break Switch	8
DIRECT HANDLE									
KU 3630 SV	6419410483992	630	355	630	630	4,5	Direct handle	Load Break Switch	3
KU 3800 SV	6419410484005	800	400	800	800	4,5	Direct handle	Load Break Switch	3
KU 4630 SV	6419410484012	630	355	630	630	5,6	Direct handle	Load Break Switch	4
KU 4800 SV	6419410484029	800	400	800	800	5,6	Direct handle	Load Break Switch	4

Related Accessories

TYPE	ACCESSORY	DESCRIPTION	FOR	EAN
LKX150	Handle	Black handle	Delivered as external handle	6419410483572
LKX150YR	Handle	Yellow/red handle	Option as external handle	6419410483602
LKX2H	Handle	Black handle	Option as external handle (2 handed)	6419410380895
LVK228	Shaft	Length 228 mm, steel	Delivered with external handle	6419410221440
1V160KU	Auxiliary contact	1NO/1NC	For all configurations	6419410300022
2V160KU	Auxiliary contact	2NO/2NC	For all configurations	6419410300114
LS800F	Terminal cover	Terminal cover, low model	Use with regular cable connectors	6419410484487
LS800H	Terminal cover	Terminal cover, high model	Use with vertical (VB & VM) cable connectors	6419410484494
VS800	Phase barrier	Phase barrier	For all configurations	6419410483756
ALK800	Spreader	1 pcs	3 and 4-pole	6419410205884
ALK800C	Spreader	1 pcs	3-pole	6419410205877

Technical Data

LOAD BREAK SWITCHES	KU ROTARY LBS		
	630A	800A	
Rated insulation voltage, U_i (V)	1000	1000	
Rated thermal current, I_{th} (A)	630	800	
Nominal values with cable size (mm ²)	2x185	2x240	
Rated operational current, I_e (A)			
AC-21A	400/415V	630	800
	500V	630	800
	690V	630	800
AC-22A	400/415V	630	800
	500V	630	800
	690V	630	800
AC-23A	400/415V	630	800
	500V	630	800
	690V	630	800
	1000V	-	400
Rated operational power for 3-phase (1500 r.p.m.) squirrel cage induction motors (kW)			
AC-23	400/415V	355	400
	500V	400	560
	690V	630	800
Rated fused short circuit current			
Back-up fuse (A)	630	800	
R.M.S. value, I_k (kA)	100	100	
Peak value (kA)	76	76	
Impulse withstand voltage, U_{imp} (kV)	12	12	
Rated short circuit making capacity, I_{cm} (kA)			
	690V	60	60
Rated short time withstand current (1 s), I_{cw} (kA)			
	690V	28***	28***
Rated breaking capacity, I_{cn} (A)			
AC-23	400/415V	5040	6400
	500V	5040	6400
	690V	5040	6400
Electrical endurance (number of operations)	2000	2000	
Mechanical endurance (number of operations)	10000	10000	
Terminals / Bolt size Cu (mm ²)	M12	M12	
Max terminal torque (Nm)	50-75	50-75	
*** 1000V			

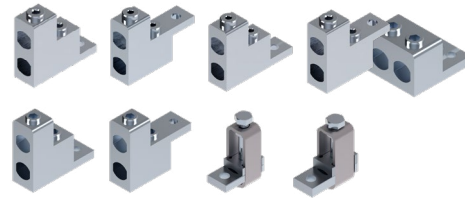
6- and 8-Pole Configurations

6- and 8-pole configurations are factory assembled and cannot be self-assembled.

6- and 8-pole configurations are always supplied with an external handle and a shaft.

Connectors

TYPE	EAN
KKL2X150	6419410378625
KKL2X150VM	6419410484302
KKL2X150VB	6419410484319
KLH2X150	6419410358580
KKL2X240	6419410378649
KKL2X240VM	6419410484326
KKL2X240VB	6419410484333
KLH2X240	6419410358597
KKL2X300	6419410484296
KKL2X300VM	6419410484340
KKL2X300VB	6419410484357
KLH2X300	6419410358603



All connectors and more information available in KATKO ConnectSafe Catalogue. You will find it here: www.katko.com/downloads

Load Break Switches 200-250 A Compact Rotary Switches VKA Series



- Compact size
- 3-pole and 4-pole VKA-switches as standard, 2-pole upon request
- Switch technology by means of silver contacts ensures safe and durable operation
- 200-250A: Handle LK12 for 200A-250A and shaft L228AD12T6 included, suitable for 250 mm panel board
- Terminal covers LSVKAC and phase barriers VSVKAC enable safe use

Switches

TYPE	EAN	AC-23A 400/415 V (A)	AC-23A 400/415 V (KW)	WEIGHT (KG)	SWITCH TYPE	NUMBER OF POLES
WITHOUT TERMINAL COVERS						
VKA 3200 L228AD12T6LK12	6419410218020	200	110	1,4	Load Break Switch	3
VKA 3250 L228AD12T6LK12	6419410218044	250	132	1,4	Load Break Switch	3
VKA 4200 L228AD12T6LK12	6419410219126	200	110	1,6	Load Break Switch	4
VKA 4250 L228AD12T6LK12	6419410219140	250	132	1,6	Load Break Switch	4
WITH TERMINAL COVERS						
VKA 3200 L228AD12T6LK12 2XLS4XVS	6419410218037	200	110	1,5	Load Break Switch	3
VKA 3250 L228AD12T6LK12 2XLS4XVS	6419410218051	250	132	1,5	Load Break Switch	3
VKA 4200 L228AD12T6LK12 2XLS6XVS	6419410219133	200	110	1,7	Load Break Switch	4
VKA 4250 L228AD12T6LK12 2XLS6XVS	6419410219157	250	132	1,7	Load Break Switch	4



Related Accessories

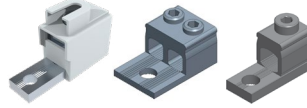
TYPE	ACCESSORY	DESCRIPTION	FOR	EAN
LK12	Handle	Black	For all configurations	6419410222683
LK12YR	Handle	Yellow/red	For all configurations	6419410222690
L228AD12T6	Shaft	Length 228 mm, steel	With LK12 handle	6419410271087
VKAC1V	Auxiliary contact	1NO/1NC	For all configurations	6419410300800
VKAC2V	Auxiliary contact	2NO/2NC	For all configurations	6419410300909
LSVKAC	Terminal cover	Transparent blue plastic	For all configurations	6419410218099
VSVKAC	Phase barrier	Transparent white plastic	For all configurations	6419410218082

Technical Data

LOAD BREAK SWITCHES		VKA ROTARY LBS	
		200A	250A
Rated insulation voltage, U_i (V)		1000	1000
Rated thermal current, I_{th} (A)		200	250
Nominal values with cable size (mm ²)		95	120
Rated operational current, I_n (A)			
AC-21A	400/415V	200	250
	500V	200	250
	690V	200	250
AC-22A	400/415V	200	250
	500V	-	-
	690V	-	-
AC-23A	400/415V	200	250
	500V	-	-
	690V	-	-
	1000V	-	-
Rated operational power for 3-phase (1500 r.p.m.) squirrel cage induction motors (kW)			
AC-23	400/415V	110	132
	500V	-	-
	690V	-	-
Rated fused short circuit current			
Back-up fuse (A)		250	250
R.M.S. value, I_k (kA)		50	50
Peak value (kA)		22	22
Impulse withstand voltage, U_{imp} (kV)		8	8
Rated short circuit making capacity, I_{cm} (kA)			
	690V	11.4*	11.4*
Rated short time withstand current (1 s), I_{cw} (kA)			
	690V	6.5*	6.5*
Rated breaking capacity, I_{bn} (A)			
AC-23	400/415V	1600	2000
	500V	-	-
	690V	-	-
Electrical endurance (number of operations)		2000	2000
Mechanical endurance (number of operations)		16000	16000
Terminals / Bolt size Cu (mm ²)		M8	M8
Max terminal torque (Nm)		15-22	15-22
* 415 V			

Connectors

TYPE	EAN
KKL2X50	6419410378588
KKL1X95	6419410200230
KKL1X120RS	6419410378687



All connectors and more information available in KATKO ConnectSafe Catalogue.
You will find it here: www.katko.com/downloads

Load Break Switches 16-125 A Toggle Switches KUE Series



- DIN-rail mounting
- 3-poles
- Switch technology by means of silver contacts ensures safe and durable operation
- Available with adapter (AD1) to connect the switch to a three-phase section rail
- Also available with yellow front-plate and red toggle

Switches

TYPE	EAN	AC-23A 400/415 V (A)	AC-23A 400/415 V (KW)	AC-23A 690 V (A)	AC-23A 690 V (KW)	WEIGHT (KG)	NUMBER OF POLES
WITHOUT FRONT-PLATE							
KUE 316	6419410200308	16	7,5	16	11	0,2	3
KUE 325	6419410200407	25	11	20	15	0,2	3
KUE 340	6419410200506	25	11	20	15	0,2	3
KUE 363	6419410200605	40	22	32	30	0,2	3
KUE 380	6419410200704	63	30	32	30	0,2	3
KUE 3125	6419410200919	63	30	32	30	0,2	3
WITH FRONT-PLATE AND AD1 ADAPTER							
KUE 316 AD1KKUE	6419410200322	16	7,5	16	11	0,2	3
KUE 325 AD1KKUE	6419410200421	25	11	20	15	0,2	3
KUE 340 AD1KKUE	6419410200520	25	11	20	15	0,2	3
KUE 363 AD1KKUE	6419410200629	40	22	32	30	0,2	3
KUE 380 AD1KKUE	6419410200728	63	30	32	30	0,2	3
KUE 3125 AD1KKUE	6419410200834	63	30	32	30	0,2	3



Related Accessories

TYPE	ACCESSORY	DESCRIPTION	FOR	EAN
KKUE	Front-plate	Rectangular front-plate, grey	For all configurations where front-plate is not included	6419410221808
RKUE	Front-plate	Round front-plate, grey	For all configurations where front-plate is not included	6419410221907

Technical Data

LOAD BREAK SWITCHES	KUE TOGGLE LBS						
	16A	25A	40A	63A	80A	125A	
Rated insulation voltage, U_i (V)	800	800	800	800	800	690	
Rated thermal current, I_{th} (A)	25	40	63	80	100	125	
Nominal values with cable size (mm ²)	4	10	16	25	35	50	
Rated operational current, I_o (A)							
AC-21A	400/415V	25	40	63	80	100	125
	500V	25	40	63	80	100	125
	690V	25	40	63	80	100	125
AC-22A	400/415V	16	25	40	63	80	125
	500V	16	25	40	63	80	80
	690V	16	25	40	63	80	80
AC-23A	400/415V	16	25	25	40	63	63
	500V	16	20	20	32	32	32
	690V	16	20	20	32	32	32
	1000V	-	-	-	-	-	-
Rated operational power for 3-phase (1500 r.p.m.) squirrel cage induction motors (kW)							
AC-23	400/415V	7.5	11	11	22	30	30
	500V	7.5	11	11	22	22	22
	690V	11	15	15	30	30	30
Rated fused short circuit current							
Back-up fuse (A)	63	63	63	80	80	125	
R.M.S. value, I_r (kA)	50	50	50	50	50	30	
Peak value (kA)	7.2	7.2	7.2	8.7	8.7	10	
Impulse withstand voltage, U_{imp} (kV)	8	8	8	8	8	8	
Rated short circuit making capacity, I_{cs} (kA)							
	690V	2.5	2.5	2.5	3.1**	3.1**	3.3
Rated short time withstand current (1 s), I_{st} (kA)							
	690V	1.7	1.7	1.7	2.0	2.0	2.3
Rated breaking capacity, I_{br} (A)							
AC-23	400/415V	128	200	200	320	504	504
	500V	128	160	160	256	256	320
	690V	128	160	160	256	256	320
Electrical endurance (number of operations)	3000	3000	3000	3000	3000	3000	
Mechanical endurance (number of operations)	50000	50000	50000	50000	50000	50000	
Terminals / Bolt size Cu (mm ²)	1.5-16	1.5-16	1.5-16	2.5-35	2.5-35	2.5-50	
Max terminal torque (Nm)	1.8	1.8	1.8	2.5	2.5	2.5	
** 2.5kA when CCC marked							

Connectors

TYPE	EAN
KKL1X16	6419410378496
KKL1X50M	6419410378519
KKL3X1X50TE	6419410371961
KKL4X1X50TE	6419410371978
KKL1X50T2E	6419410268100



All connectors and more information available in KATKO ConnectSafe Catalogue.
You will find it here: www.katko.com/downloads



Load Break Switches 200-250 A Toggle Switches EVA Series

- Switch technology by means of silver contacts ensures safe and durable operation
- Available in 3- and 4-pole
- Available with terminal covers and phase barriers (LSVS)
- Available also with red toggle (R)

Switches

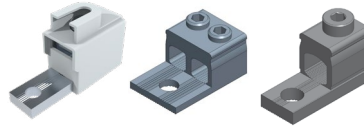
TYPE	EAN	AC-23A 400/415 V (A)	AC-23A 400/415 V (KW)	WEIGHT (KG)	SWITCH TYPE	NUMBER OF POLES
200-250 A, WITHOUT FRONT-PLATE AND TERMINAL COVERS						
EVA 3200	6419410203156	160	75	0,9	Load Break Switch	3
EVA 3250	6419410203200	200	90	0,9	Load Break Switch	3
EVA 3200 R	6419410203163	160	75	0,9	Load Break Switch	3
EVA 3250 R	6419410203217	200	90	0,9	Load Break Switch	3
EVA 4200	6419410203262	160	75	1,1	Load Break Switch	4
EVA 4250	6419410203309	200	90	1,1	Load Break Switch	4
EVA 4200 R	6419410203279	160	75	1,1	Load Break Switch	4
EVA 4250 R	6419410203316	200	90	1,1	Load Break Switch	4
200-250 A, WITH TERMINAL COVERS AND PHASE BARRIERS						
EVA 3200 2XLS4XVS	6419410203170	160	75	0,9	Load Break Switch	3
EVA 3250 2XLS4XVS	6419410203224	200	90	0,9	Load Break Switch	3
EVA 3200 R 2XLS4XVS	6419410203187	160	75	0,9	Load Break Switch	3
EVA 3250 R 2XLS4XVS	6419410203231	200	90	0,9	Load Break Switch	3
EVA 4200 2XLS6XVS	6419410203286	160	75	1,2	Load Break Switch	4
EVA 4250 2XLS6XVS	6419410203323	200	90	1,2	Load Break Switch	4
EVA 4200 R 2XLS6XVS	6419410203293	160	75	1,2	Load Break Switch	4
EVA 4250 R 2XLS6XVS	6419410203330	200	90	1,2	Load Break Switch	4

Technical Data

LOAD BREAK SWITCHES		200A	250A
Rated insulation voltage, U_i (V)		690	690
Rated thermal current, I_{th} (A)		200	250
Nominal values with cable size (mm ²)		95	120
Rated operational current, I_o (A)			
AC-21A	400/415V	200	250
	500V	-	-
	690V	-	-
AC-22A	400/415V	200	250
	500V	-	-
	690V	-	-
AC-23A	400/415V	160	200
	500V	-	-
	690V	-	-
	1000V	-	-
Rated operational power for 3-phase (1500 r.p.m.) squirrel cage induction motors (kW)			
AC-23	400/415V	75	90
	500V	-	-
	690V	-	-
Rated fused short circuit current			
Back-up fuse (A)		250	250
R.M.S. value, I_s (kA)		50	50
Peak value (kA)		21	21
Impulse withstand voltage, U_{imp} (kV)		6	6
Rated short circuit making capacity, I_{cs} (kA)			
	690V	11.4*	11.4*
Rated short time withstand current (1 s), I_{cw} (kA)			
	690V	6.5*	6.5*
Rated breaking capacity, I_{br} (A)			
AC-23	400/415V	1600	1600
	500V	-	-
	690V	-	-
Electrical endurance (number of operations)		2000	2000
Mechanical endurance (number of operations)		16000	16000
Terminals / Bolt size Cu (mm ²)		M8	M8
Max terminal torque (Nm)		15-22	15-22
* 415 V			

Connectors

TYPE	EAN
KKL2X50	6419410378588
KKL1X95	6419410200230
KKL1X120RS	6419410378687



All connectors and more information available in KATKO ConnectSafe Catalogue.

You will find it here: www.katko.com/downloads

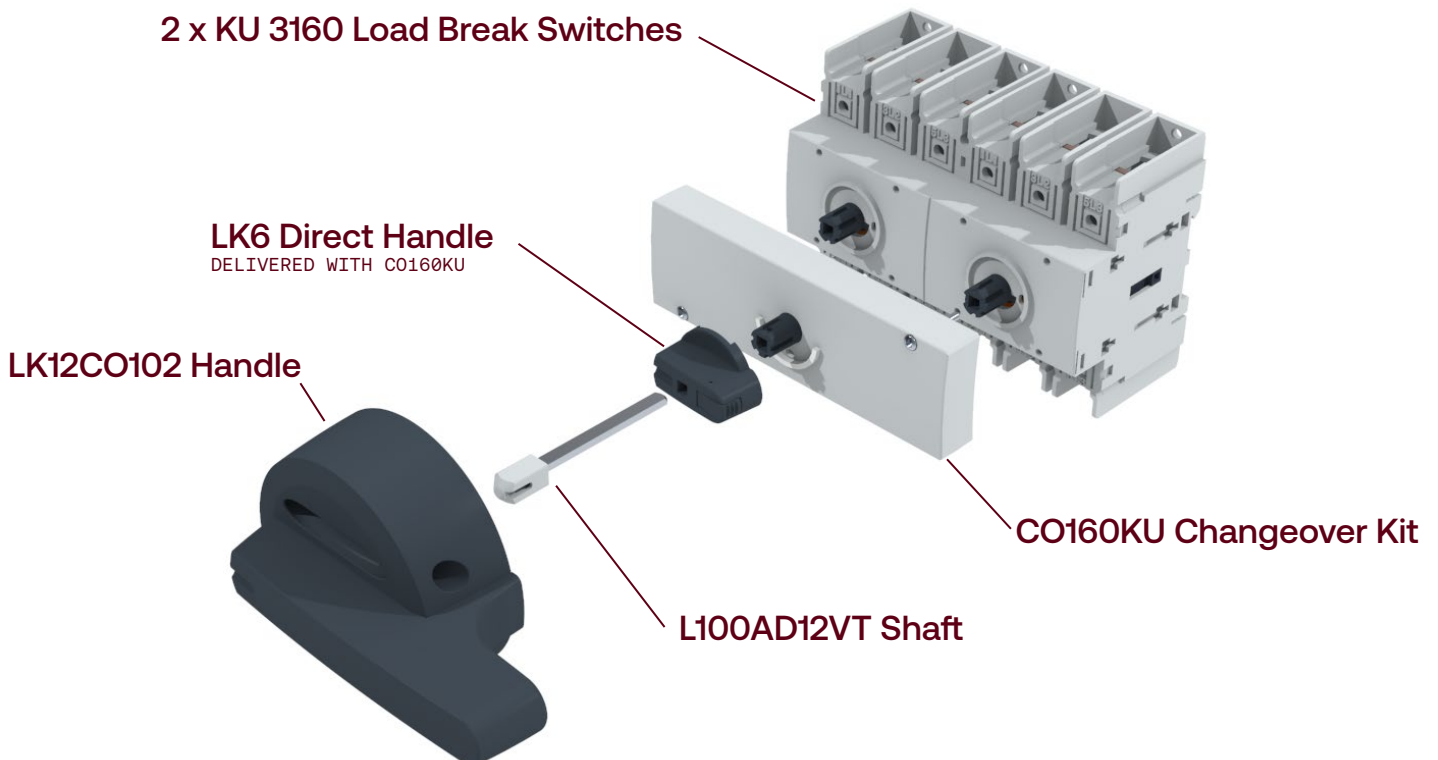
Changeover Switches 16-800 A Rotary Switches KU Series



General Characteristics

- Consists of two 3- or 4-pole switches and a changeover kit
- For KU 16 - 160 A it is possible to assemble changeover switches retrospectively from two 3- or 4-pole switches and a kit
- KU 160 A (Performance) and KU 200 - 800 A are only available as a factory assembled changeover switch
- Switch technology by means of silver contacts ensures safe and durable operation
- All versions are operable with direct handle or external handle and shaft. For KU 16 - 160 purchase shaft and external handle separately when needed. For KU 160 A (Performance) and KU 200 - 800 A external handle and shaft are included.
- KU 16 - 80 A & 125 A (N) use a snap-on auxiliary contact, available in 1NO/1NC or 2NO/2NC
- KU 100 - 800 A use a side-mountable auxiliary contact, available in 1NO/1NC or 2NO/2NC. It is possible to mount two auxiliary contacts on each side making the maximum amount of contacts as 8NO/8NC

Assembly Example KU 3160 CO Changeover Switch



Changeover Switches 16-40 A Rotary Switches KU Series

KU 16-40 A Specific Characteristics

- Compact design
- Consists of two 3- or 4-pole switches and a changeover kit
- Available in open (CO) or closed transition (CT)
- Switch technology by means of silver contacts ensures safe and durable operation
- Available with fixed (NO) auxiliary contact or auxiliary contacts can be installed on either or both sides

Changeover Configurations

Consists of:

2 x 3- or 4-pole KU switches
1 x Changeover kit:
CO40KU3P or CO40KU4P
CT40KU3P or CT40KU4P

Optional:

1 x External handle for changeover
1 x Shaft



KU 340CT (1-1+2-2)
Consists of:
2 x KU340
1 x CT40KU3P



KU 440CO (1-0-2)
Consists of:
2 x KU440
1 x CO40KU4P



Switches

TYPE	EAN	AC-23A 400/415 V (A)	AC-23A 400/415 V (kW)	AC-23A 690 V (A)	AC-23A 690 V (kW)	SWITCH TYPE	NUMBER OF POLES
KU 316CO	6419410337783	16	7,5	16	11	Changeover switch (CO, open transition) 1-0-2	3
KU 316CT	6419410337868	16	7,5	16	11	Changeover switch (CT, closed transition) 1-1+2-2	3
KU 325CO	6419410337790	25	11	25	22	Changeover switch (CO, open transition) 1-0-2	3
KU 325CT	6419410337875	25	11	25	22	Changeover switch (CT, closed transition) 1-1+2-2	3
KU 340CO	6419410337806	40	22	25	22	Changeover switch (CO, open transition) 1-0-2	3
KU 340CT	6419410337882	40	22	25	22	Changeover switch (CT, closed transition) 1-1+2-2	3
KU 416CO	6419410337813	16	7,5	16	11	Changeover switch (CO, open transition) 1-0-2	4
KU 416CT	6419410337899	16	7,5	16	11	Changeover switch (CT, closed transition) 1-1+2-2	4
KU 425CO	6419410337820	25	11	25	22	Changeover switch (CO, open transition) 1-0-2	4
KU 425CT	6419410337912	25	11	25	22	Changeover switch (CT, closed transition) 1-1+2-2	4
KU 440CO	6419410337837	40	22	25	22	Changeover switch (CO, open transition) 1-0-2	4
KU 440CT	6419410337936	40	22	25	22	Changeover switch (CT, closed transition) 1-1+2-2	4

Related Accessories



TYPE	ACCESSORY	DESCRIPTION	FOR	EAN
LKX50	Handle	Black	For all configurations	6419410257852
LKX50YR	Handle	Yellow/Red	For all configurations	6419410257869
LK10	Handle	Black	For all configurations	6419410222539
LK10YR	Handle	Yellow/Red	For all configurations	6419410222553
LKX50CO102	Handle	1-0-2, black	Changeover switch (CO)	6419410355541
LKX50CO102YR	Handle	1-0-2, yellow/red	Changeover switch (CO)	6419410352182
LKX50CT	Handle	1-1+2-2, black	Changeover switch (CT)	6419410352175
LKX50CTYR	Handle	1-1+2-2, yellow/red	Changeover switch (CT)	6419410352182
L100AD11	Shaft	Length 100 mm, aluminium	For all configurations	6419410253106
L200AD11	Shaft	Length 200 mm, aluminium	For all configurations	6419410253113
L300AD11	Shaft	Length 300 mm, aluminium	For all configurations	6419410253120
1N040KU	Auxiliary contact	1NO, normal open	For all configurations	6419410263914
1NC40KU	Auxiliary contact	1NC, normal closed	For all configurations	6419410263921
1N040QC	Auxiliary contact	Quick connect (1NO, normal open)	For all configurations	6419410263891
1NC40QC	Auxiliary contact	Quick connect (1NC, normal closed)	For all configurations	6419410263907

Changeover Switches 16-125 A Rotary Switches KU Series



KU 440 VV
Consists of:
2 x KU 440N
1 x KUVV

KU 16-80 A & 125 A (N) Specific Characteristics

- Compact design
- Consists of two 3- or 4-pole switches and a changeover kit
- Switch technology by means of silver contacts ensures safe and durable operation

Changeover Configurations

Consists of:	Optional:
2 x 3- or 4-pole KU switches	1 x External handle for changeover
1 x Changeover kit:	1 x Shaft
KUVV or KUVVYR	

Switches

TYPE	EAN	AC-23A 400/415 V (A)	AC-23A 400/415 V (KW)	AC-23A 690 V (A)	AC-23A 690 V (KW)	SWITCH TYPE	NUMBER OF POLES
KU 316VV	6419410205914	16	7,5	16	11	Changeover switch	3
KU 325VV	6419410226704	25	11	25	22	Changeover switch	3
KU 340VV	6419410226711	32	15	32	30	Changeover switch	3
KU 363VV	6419410226773	40	22	40	37	Changeover switch	3
KU 380VV	6419410226728	63	30	40	37	Changeover switch	3
KU 3125VV	6419410226759	63	30	40	37	Changeover switch	3
KU 416VV	6419410205921	16	7,5	16	11	Changeover switch	4
KU 425VV	6419410226797	25	11	25	22	Changeover switch	4
KU 440VV	6419410226735	32	15	32	30	Changeover switch	4
KU 463VV	6419410226780	40	22	40	37	Changeover switch	4
KU 480VV	6419410226742	63	30	40	37	Changeover switch	4
KU 4125VV	6419410226766	63	30	40	37	Changeover switch	4

Related Accessories



TYPE	ACCESSORY	DESCRIPTION	FOR	EAN
LK11C0102	Handle	Black	Changeover	6419410222621
LK11C0102YR	Handle	Yellow/red	Changeover	6419410222638
L100AD11	Shaft	Length 100 mm, aluminium	3, 4, 6 or 8-pole	6419410253106
L200AD11	Shaft	Length 200 mm, aluminium	3, 4, 6 or 8-pole	6419410253113
L300AD11	Shaft	Length 300 mm, aluminium	3, 4, 6 or 8-pole	6419410253120
L100AD11VT	Shaft	Length 100 mm, steel, slanted	3, 4, 6 or 8-pole	6419410253168
L200AD11VT	Shaft	Length 200 mm, steel, slanted	3, 4, 6 or 8-pole	6419410253175
L300AD11VT	Shaft	Length 300 mm, steel, slanted	3, 4, 6 or 8-pole	6419410253182
KUVV	Changeover kit	Positions 1, 0, 2, black handle	3 or 4-pole	6419410221624
KUVVYR	Changeover kit	Positions 1, 0, 2, red handle	3 or 4-pole	6419410221631

KU 100 - 160 A

Specific Characteristics

- Consists of two 3- or 4-pole switches and a changeover kit
- Switch technology by means of silver contacts ensures safe and durable operation
- Modular structure
- Auxiliary contacts can be installed on either or both sides

Changeover Configurations

Consists of: 2 x 3- or 4-pole KU switches
1 x CO160KU changeover kit

Optional: 1 x External LK12 handle for changeover
1 x Shaft (AD12VT)

KU 3160 CO
Consists of:
2 x KU 4-pole
1 x CO160KU

Switches

TYPE	EAN	AC-23A 400/415 V (A)	AC-23A 400/415 V (KW)	AC-23A 690 V (A)	AC-23A 690 V (KW)	WEIGHT (KG)	SWITCH TYPE	NUMBER OF POLES
KU 3100CO	6419410203583	100	55	63	55	1	Changeover Switch	3
KU 3125CO	6419410203590	125	55	80	75	1	Changeover Switch	3
KU 3160CO	6419410203606	160	90	100	90	1	Changeover Switch	3
KU 4100CO	6419410203613	100	55	63	55	1,2	Changeover Switch	4
KU 4125CO	6419410203620	125	55	80	75	1,2	Changeover Switch	4
KU 4160CO	6419410203637	160	90	100	90	1,2	Changeover Switch	4

Related Accessories

TYPE	ACCESSORY	DESCRIPTION	FOR	EAN
LKX100CO102	Handle	Black	Changeover handle	6419410484708
LKX100CO102YR	Handle	Yellow/red	Changeover handle	6419410484722
L100AD12VT	Shaft	Length 100 mm, steel, slanted	With LK12 handle	6419410253076
L200AD12VT	Shaft	Length 200 mm, steel, slanted	With LK12 handle	6419410253083
L300AD12VT	Shaft	Length 300 mm, steel, slanted	With LK12 handle	6419410253090
1V160KU	Auxiliary contact	1N0/1NC	For all configurations	6419410300022
2V160KU	Auxiliary contact	2N0/2NC	For all configurations	6419410300114
CO160KU	Changeover Kit	Changeover kit	For 2 x 3- or 4-pole switches	6419410203651
LS160	Cover	Terminal cover for 3P	For all configurations. Covers 3 poles	6419410203699
LSN160	Cover	Terminal cover for 4th pole	4- & 8-pole and 4-pole changeover	6419410203705



Changeover Switches 200-250 A & 160 A Rotary Switches



KU 200 - 250 A & 160 A Performance (P) Specific Characteristics

- Consists of two 3- or 4-pole switches
- Modular structure
- Made of 100% recyclable plastic
- Auxiliary contacts can be installed on either or both sides
- 160 (P) model is an option for KATKO's regular 160 A switch and suitable for industrial applications



Changeover Configurations

Consists of:

- 2 x 3- or 4-pole KU switches
- Direct handle or external handle and shaft

Switches

TYPE	EAN	AC-23A 690 V (A)	AC-23A 690 V (KW)	WEIGHT (KG)	OPERATION	SWITCH TYPE	NUMBER OF POLES
WITH EXTERNAL HANDLE (LKX 100 1-0-2) AND SHAFT (L=200 AD12/T6)							
KU 3200WCO L200AD12T6LKX100	6419410205273	200	160	2,1	External handle	Changeover Switch	3
KU 3250WCO L200AD12T6LKX100	6419410205280	250	250	2,1	External handle	Changeover Switch	3
KU 4200WCO L200AD12T6LKX100	6419410205297	200	160	2,6	External handle	Changeover Switch	4
KU 4250WCO L200AD12T6LKX100	6419410205303	250	250	2,6	External handle	Changeover Switch	4
KU 3160PWCO L200AD12T6LKX100	6419410205501	160	132	2,1	External handle	Changeover Switch	3
KU 4160PWCO L200AD12T6LKX100	6419410205518	160	132	2,6	External handle	Changeover Switch	4
WITH DIRECT HANDLE							
KU 3200WCO SV	6419410205358	200	160	2,1	Direct handle	Changeover Switch	3
KU 3250WCO SV	6419410205365	250	250	2,1	Direct handle	Changeover Switch	3
KU 4200WCO SV	6419410205372	200	160	2,6	Direct handle	Changeover Switch	4
KU 4250WCO SV	6419410205389	250	250	2,6	Direct handle	Changeover Switch	4
KU 3160PWCO SV	6419410205563	160	132	2,1	Direct handle	Changeover Switch	3
KU 4160PWCO SV	6419410205570	160	132	2,6	Direct handle	Changeover Switch	4

Related Accessories



TYPE	ACCESSORY	DESCRIPTION	FOR	EAN
LKX100CO102	Handle	Black handle, 1-0-2 positions	Changeover	6419410484708
LKX100CO102YR	Handle	Yellow/red handle, 1-0-2 positions	Changeover	6419410484722
L200AD12T6	Shaft	Length 200 mm, 6 mm steel shaft	For all configurations	6419410271063
1V160KU	Auxiliary contact	1N0/1NC	For all configurations	6419410300022
2V160KU	Auxiliary contact	2N0/2NC	For all configurations	6419410300114
LS250H	Terminal cover	1-pole terminal cover. High model.	Use with vertical (VB & VM) cable connectors	6419410205419
LS250F	Terminal cover	1-pole terminal cover. Flush model.	Use with regular cable connectors	6419410205402
VS250	Phase Barrier	Phase barrier	For all configurations	6419410205396

Changeover Switches 315-400 A Rotary Switches



KU 315 - 400 A Specific Characteristics

- Consists of two 3- or 4-pole switches
- Modular structure
- Made of 100% recyclable plastic
- Auxiliary contacts can be installed on either or both sides



Changeover Configurations

Consists of:

- 2 x 3- or 4-pole KU switches
- Direct handle or external handle and shaft

Switches

TYPE	EAN	AC-23A 690 V (A)	AC-23A 690 V (KW)	WEIGHT (KG)	OPERATION	SWITCH TYPE	NUMBER OF POLES
WITH EXTERNAL HANDLE (LKX150C0102) AND SHAFT (LVK228)							
KU 3315CO LVK228LKX150	6419410300244	315	315	5,4	External handle	Changeover Switch	3
KU 3400CO LVK228LKX150	6419410300251	400	355	5,4	External handle	Changeover Switch	3
KU 4315CO LVK228LKX150	6419410300268	315	315	6,4	External handle	Changeover Switch	4
KU 4400CO LVK228LKX150	6419410300275	400	355	6,4	External handle	Changeover Switch	4
WITH DIRECT HANDLE							
KU 3315CO SV	6419410300336	315	315	5,4	Direct handle	Changeover Switch	3
KU 3400CO SV	6419410300343	400	355	5,4	Direct handle	Changeover Switch	3
KU 4315CO SV	6419410300350	315	315	6,4	Direct handle	Changeover Switch	4
KU 4400CO SV	6419410300367	400	355	6,4	Direct handle	Changeover Switch	4

Related Accessories



TYPE	ACCESSORY	DESCRIPTION	FOR	EAN
LKX150C0102	Handle	Black handle, 1-0-2 positions	Changeover	6419410484715
LKX150C0102YR	Handle	Yellow/red handle, 1-0-2 positions	Changeover	6419410484739
LVK228	Shaft	Length 228 mm, steel	Delivered with external handle	6419410221440
1V160KU	Auxiliary contact	1NO/1NC	For all configurations	6419410300022
2V160KU	Auxiliary contact	2NO/2NC	For all configurations	6419410300114
LS400H	Terminal cover	1-pole terminal cover. High model.	Use with vertical (VB & VM) cable connectors	6419410300398
LS400F	Terminal cover	1-pole terminal cover. Flush model.	Use with regular cable connectors	6419410300381
VS400	Phase Barrier	Phase barrier	For all configurations	6419410300374

Changeover Switches 630-800 A Rotary Switches



KU 3800CO

KU 630 - 800 A Specific Characteristics

- Consists of two 3- or 4-pole switches
- Modular structure
- Made of 100% recyclable plastic
- Auxiliary contacts can be installed on either or both sides

Changeover Configurations

Consists of:
2 x 3- or 4-pole KU switches
Direct handle or external handle and shaft

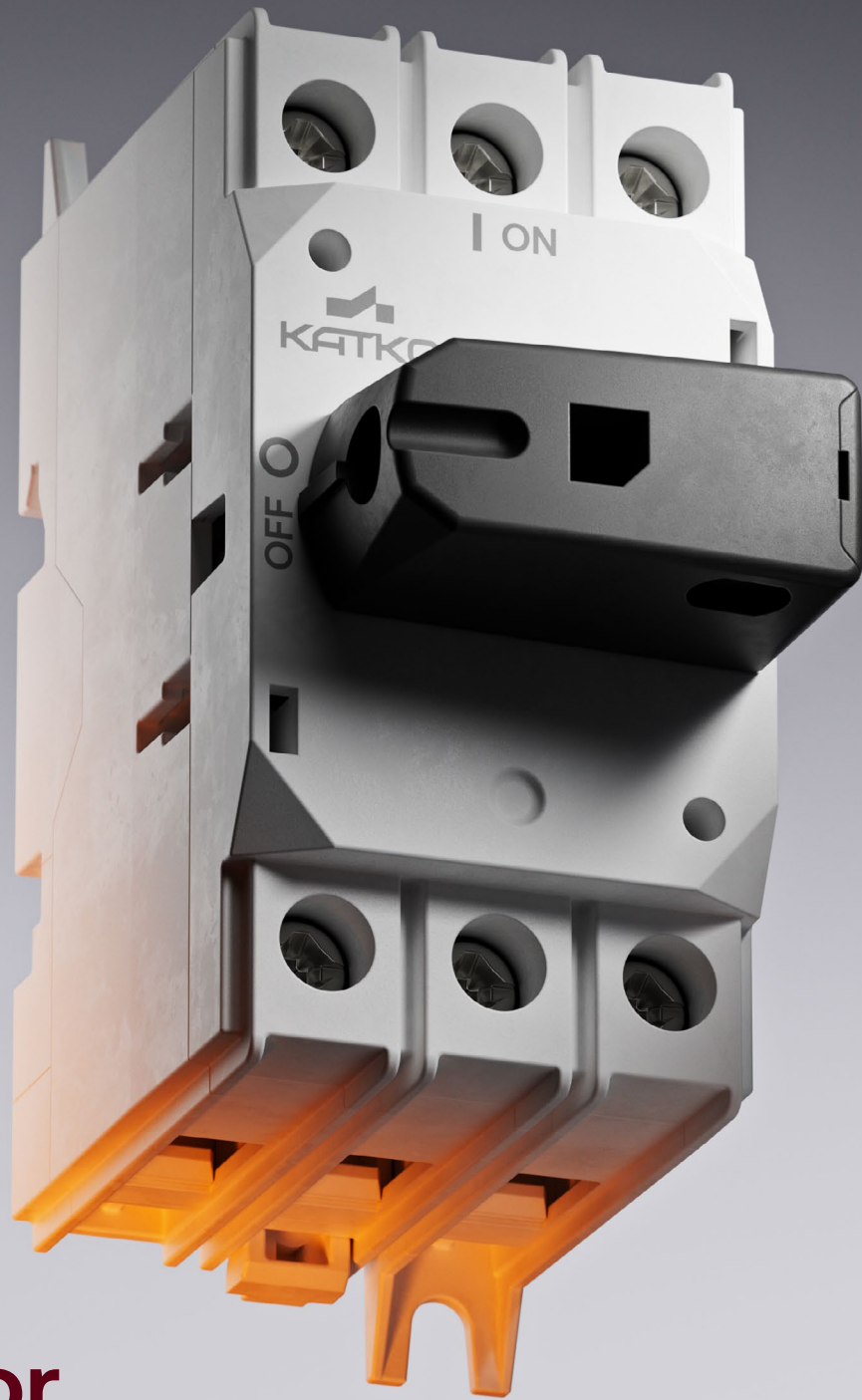
Switches

TYPE	EAN	AC-23A 690 V (A)	AC-23A 690 V (kW)	WEIGHT (KG)	OPERATION	SWITCH TYPE	NUMBER OF POLES
WITH EXTERNAL HANDLE (LKX 150 1-0-2) AND SHAFT (LVK=228)							
KU 3630CO LVK228LKX150	6419410483701	630	630	9	External handle	Changeover Switch	3
KU 3800CO LVK228LKX150	6419410483718	800	800	9	External handle	Changeover Switch	3
KU 4630CO LVK228LKX150	6419410483725	630	630	11	External handle	Changeover Switch	4
KU 4800CO LVK228LKX150	6419410483732	800	800	11	External handle	Changeover Switch	4
WITH DIRECT HANDLE							
KU 3630CO SV	6419410484036	630	630	9	Direct handle	Changeover Switch	3
KU 3800CO SV	6419410484043	800	800	9	Direct handle	Changeover Switch	3
KU 4630CO SV	6419410484050	630	630	11	Direct handle	Changeover Switch	4
KU 4800CO SV	6419410484067	800	800	11	Direct handle	Changeover Switch	4



Related Accessories

TYPE	ACCESSORY	DESCRIPTION	FOR	EAN
LKX150C0102	Handle	Black handle, 1-0-2 positions	Changeover	6419410484715
LKX150C0102YR	Handle	Yellow/red handle, 1-0-2 positions	Changeover	6419410484739
LVK228	Shaft	Length 228 mm, steel	Delivered with external handle	6419410221440
1V160KU	Auxiliary contact	1NO/1NC	For all configurations	6419410300022
2V160KU	Auxiliary contact	2NO/2NC	For all configurations	6419410300114
LS800F	Terminal cover	Terminal cover, low model	Use with regular cable connectors	6419410484487
LS800H	Terminal cover	Terminal cover, high model	Use with vertical (VB & VM) cable connectors	6419410484494
VS800	Phase barrier	Phase barrier	For all configurations	6419410483756



Built for Certified Safety.

Building on our expertise in electrical safety, KATKO's UL/cUL listed load break switches are designed and manufactured to meet demanding international requirements. Combining robust construction, reliable performance without compromises, and compliance with North American standards, this range extends KATKO's proven solutions to globally regulated markets.

UL98 listed Rotary Switches 30-100 A KU Series



- General use rating 30 – 100 A / 600VAC, refer to detailed product specifications
- Lockable to off-position
- Modular design
- Switch technology by means of silver contacts ensures safe and durable operation
- Suitable for use on a circuit capable of delivering 50kA rms symmetrical, 600 Vac when protected by Class J, 60A/100A fuse.
- Changeover switches consist of two 3- or 4-pole switches.

Switches

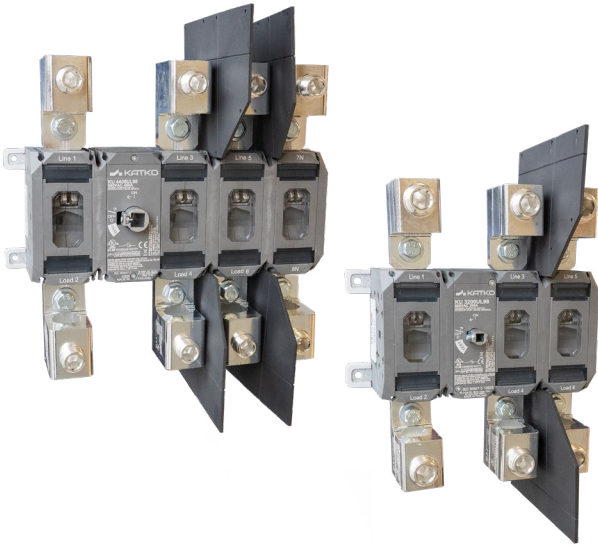
TYPE	EAN	AMPERE RATING 600 V	HP 240 V	HP 480 V	HP 600 V	WEIGHT (LB/KG)	SWITCH TYPE	NUMBER OF POLES
KU 330UL98	6419410325827	30 A	15HP	30HP	50HP	1,1 / 0,5	Disconnect switch	3
KU 430UL98	6419410325834	30 A	15HP	30HP	50HP	1,5 / 0,7	Disconnect switch	4
KU 630UL98	6419410325841	30 A	15HP	30HP	50HP	1,5 / 0,7	Disconnect switch	6
KU 830UL98	6419410325858	30 A	15HP	30HP	50HP	2 / 0,9	Disconnect switch	8
KU 360UL98	6419410203712	60 A	20HP	40HP	60HP	1,1 / 0,5	Disconnect switch	3
KU 360COUL98	6419410203798	60 A	20HP	40HP	60HP	2,4 / 1,1	Changeover switch	3
KU 460UL98	6419410203736	60 A	20HP	40HP	60HP	1,5 / 0,7	Disconnect switch	4
KU 460COUL98	6419410203811	60 A	20HP	40HP	60HP	3,3 / 1,5	Changeover switch	4
KU 660UL98	6419410203750	60 A	20HP	40HP	60HP	1,5 / 0,7	Disconnect switch	6
KU 860UL98	6419410203774	60 A	20HP	40HP	60HP	2 / 0,9	Disconnect switch	8
KU 3100UL98	6419410203729	100 A	25HP	50HP	75HP	1,3 / 0,5	Disconnect switch	3
KU 3100COUL98	6419410203804	100 A	25HP	50HP	75HP	3,3 / 1,5	Changeover switch	3
KU 4100UL98	6419410203743	100 A	25HP	50HP	75HP	1,3 / 0,7	Disconnect switch	4
KU 4100COUL98	6419410203828	100 A	25HP	50HP	75HP	3,3 / 1,5	Changeover switch	4
KU 6100UL98	6419410203767	100 A	25HP	50HP	75HP	1,5 / 0,7	Disconnect switch	6
KU 8100UL98	6419410203781	100 A	25HP	50HP	75HP	2 / 0,9	Disconnect switch	8

Related Accessories



TYPE	ACCESSORY	DESCRIPTION	FOR	EAN
LK10UL	UL Handle	Black	3- & 4-pole	6419410222577
LK10ULYR	UL Handle	Yellow/red	3- & 4-pole	6419410222584
LK11UL	UL Handle	Black	3- & 4-pole	6419410222515
LK11ULYR	UL Handle	Yellow/red	3- & 4-pole	6419410222522
L100AD11VT	Shaft	Length 100 mm, steel, slanted	With LK10 and LK11 handles	6419410253168
L200AD11VT	Shaft	Length 200 mm, steel, slanted	With LK10 and LK11 handles	6419410253175
L300AD11VT	Shaft	Length 300 mm, steel, slanted	With LK10 and LK11 handles	6419410253182
1V160KU	Auxiliary contact	1NO/1NC	For all configurations	6419410300022
2V160KU	Auxiliary contact	2NO/2NC	For all configurations	6419410300114
LS160	Cover	Terminal cover for 3 poles	For all configurations. Covers 3 poles.	6419410203699
LSN160	Cover	Terminal cover for N-pole	4-pole and 4-pole changeover	6419410203705

UL98 listed Rotary Switches 200-400 A KU Series



- General use rating 200 – 400A / maximum voltage 600V AC
- Modular Switch Structure – Available in configurations where the mechanism can be positioned in different locations.
- Compatible with 1NO/1NC or 2NO/2NC auxiliary units, which can be inserted on either side, with the possibility of using multiple units.
- Visible Contacts – The switch features a viewing window, allowing users to visually confirm whether the contacts are open.
- Variety of Shaft Lengths – Multiple shaft length options available for different applications.
- Enhanced Connection Protection – Two types of terminal covers with phase barriers provide excellent protection for connections.
- Additional switches can be installed inside the switch to enable control circuit testing when the switch is turned to the TEST position.
- Required anti-rotation wire connectors: KKL1X240AR250 for 200A switches and KKL1X300AR400 for 400A switches.

Switches

TYPE	EAN	AMPERE RATING 600 V	HP 240 V	HP 480 V	HP 600 V	WEIGHT (LB/KG)	SWITCH TYPE	NUMBER OF POLES
KU 3200UL98	6419410352786	200 A	75HP	150HP	200HP	2,4 / 1,1	Disconnect switch	3
KU 4200UL98	6419410352793	200 A	75HP	150HP	200HP	3,3 / 1,5	Disconnect switch	4
KU 3400UL98	6419410352816	400 A	100HP	200HP	300HP	4,6 / 2,1	Disconnect switch	3
KU 4400UL98	6419410352823	400 A	100HP	200HP	300HP	6,2 / 2,8	Disconnect switch	4

Related Accessories

TYPE	EAN	ACCESSORY	DESCRIPTION	FOR
LKX100	6419410483565	UL Handle	Black handle, IP66 NW, NEMA Type 1,12, 3R, 4X	3- & 4-pole, 200A
LKX100YR	6419410483596	UL Handle	Yellow/red handle, IP66 NW, NEMA Type 1,12, 3R, 4X	3- & 4-pole, 200A
LKX150	6419410483572	UL Handle	Black handle, IP66 NW, NEMA Type 1,12, 3R, 4X	3- & 4-pole, 400A
LKX150YR	6419410483602	UL Handle	Yellow/red handle, IP66 NW, NEMA Type 1,12, 3R, 4X	3- & 4-pole, 400A
L200AD12T6	6419410271063	Shaft	Steel, length 200 mm	LKX100 & LKX100YR handles
L300AD12T6	6419410248638	Shaft	Steel, length 300 mm	LKX100 & LKX100YR handles
LVK228	6419410221440	Shaft	Steel, length: 228 mm, thickness: 12 mm	LKX150 & LKX150YR handles
LVK320	6419410221426	Shaft	Steel, length: 320 mm, thickness: 12 mm	LKX150 & LKX150YR handles
1V160KU	6419410300022	Auxiliary contact	1NO (normal open) / 1NC (normal closed)	For all configurations
2V160KU	6419410300114	Auxiliary contact	2NO (normal open) / 2NC (normal closed)	For all configurations
KKL1X240AR250	6419410363478	Cable connectors	Anti-rotation connector for 200A switches	3- & 4-pole, 200A
KKL1X300AR400	6419410363485	Cable connectors	Anti-rotation connector for 400A switches	3- & 4-pole, 400A
LS250F	6419410205402	Terminal cover	Terminal cover for 200A switches	3- & 4-pole, 200A
LS250H	6419410205419	Terminal cover	Terminal cover for 200A switches	3- & 4-pole, 200A
LS400F	6419410300381	Terminal cover	Terminal cover for 400A switches	3- & 4-pole, 400A
LS400H	6419410300398	Terminal cover	Terminal cover for 400A switches	3- & 4-pole, 400A
VS250	6419410205396	Phase barrier	Phase barrier for KU 200-250 A & 160 A (P) switches	3- & 4-pole, 200A
VS400	6419410300374	Phase barrier	Phase barrier for KU 315-400A switches	3- & 4-pole, 400A



UL/cUL Listed Rotary & Toggle Switches 16-150 A



LSF 16 - 40 A



KU 16 - 80 (N)



RT 16 - 40



KUE 16 - 80

- UL 60947-4-1A
- General use rating 16 – 150 A / 600VAC, refer to detailed product specifications
- Switch technology by means of silver contacts ensures safe and durable operation
- Rotary and toggle switches

LSF & RT rotary switch
 - 16-40 A
 - DIN-rail or screw mounting (LSF) and door or side panel mounting (RT)
 - Available with fixed (NO) auxiliary contact or with side-mounted

VKA rotary switch
 - 80-150 A
 - Lockable to off-position with front-plate, available separately
 - Door mounting kit available

KUE toggle switch
 - 16-80 A

- Lockable to off-position with front-plate

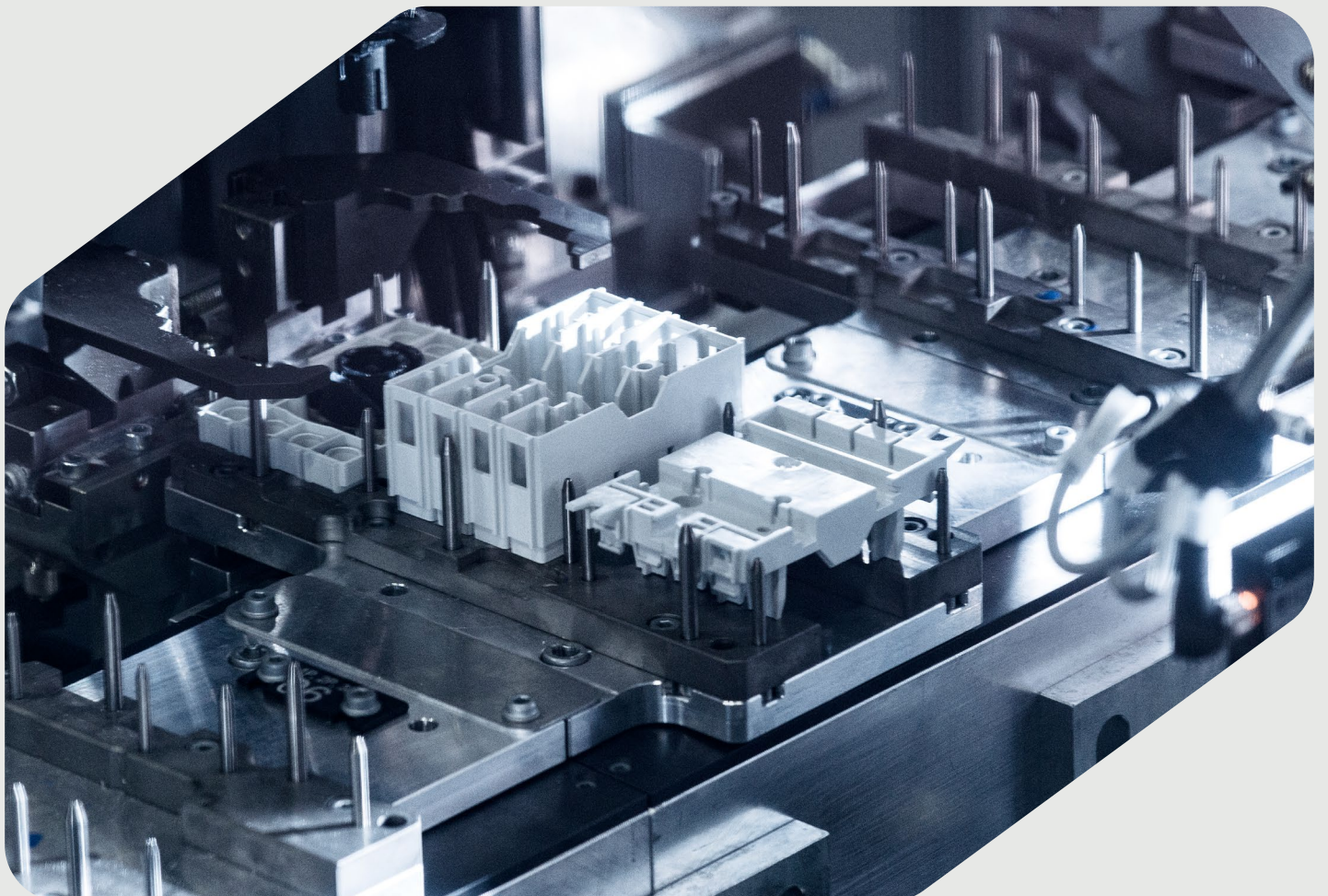
KU (N) rotary switch
 - 16-80 A
 - Lockable to off-position with front-plate, available separately
 - Door mounting kit available

Switches

TYPE	EAN	AMPERE RATING 600 V	HP 240 V	HP 480 V	HP 600 V	WEIGHT (lb/kg)	SWITCH TYPE	NUMBER OF POLES
LSF 316UL	6419410268841	16 A	5 HP	7.5 HP	10 HP	0,2 / 0,1	Rotary Disconnect Switch	3
LSF 316UL FP	6419410364666	16 A	5 HP	7.5 HP	10 HP	0,2 / 0,1	Rotary Disconnect Switch with front-plate	3
LSF 325UL	6419410268858	30 A	7.5 HP	10 HP	15 HP	0,2 / 0,1	Rotary Disconnect Switch	3
LSF 325UL FP	6419410364673	30 A	7.5 HP	10 HP	15 HP	0,2 / 0,1	Rotary Disconnect Switch with front-plate	3
LSF 340UL	6419410268865	40 A	10 HP	15 HP	20 HP	0,2 / 0,1	Rotary Disconnect Switch	3
LSF 340UL FP	6419410364680	40 A	10 HP	15 HP	20 HP	0,2 / 0,1	Rotary Disconnect Switch with front-plate	3
LSF 316NOUL	6419410347171	16 A	5 HP	7.5 HP	10 HP	0,2 / 0,1	Rotary Disconnect Switch with auxiliary contact	3+1
LSF 316NOUL FP	6419410364734	16 A	5 HP	7.5 HP	10 HP	0,2 / 0,1	Rotary Disconnect Switch with front-plate & auxiliary contact	3+1
LSF 325NOUL	6419410347188	30 A	7.5 HP	10 HP	15 HP	0,2 / 0,1	Rotary Disconnect Switch with auxiliary contact	3+1
LSF 325NOUL FP	6419410364741	30 A	7.5 HP	10 HP	15 HP	0,2 / 0,1	Rotary Disconnect Switch with front-plate & auxiliary contact	3+1
LSF 340NOUL	6419410347195	40 A	10 HP	15 HP	20 HP	0,2 / 0,1	Rotary Disconnect Switch with auxiliary contact	3+1
LSF 340NOUL FP	6419410364758	40 A	10 HP	15 HP	20 HP	0,2 / 0,1	Rotary Disconnect Switch with front-plate & auxiliary contact	3+1
LSF 416UL	6419410268872	16 A	5 HP	7.5 HP	10 HP	0,2 / 0,1	Rotary Disconnect Switch	4
LSF 416UL FP	6419410364697	16 A	5 HP	7.5 HP	10 HP	0,2 / 0,1	Rotary Disconnect Switch with front-plate	4
LSF 425UL	6419410268889	30 A	7.5 HP	10 HP	15 HP	0,2 / 0,1	Rotary Disconnect Switch	4
LSF 425UL FP	6419410364710	30 A	7.5 HP	10 HP	15 HP	0,2 / 0,1	Rotary Disconnect Switch with front-plate	4
LSF 440UL	6419410268896	40 A	10 HP	15 HP	20 HP	0,2 / 0,1	Rotary Disconnect Switch	4
LSF 440UL FP	6419410364727	40 A	10 HP	15 HP	20 HP	0,2 / 0,1	Rotary Disconnect Switch with front-plate	4
KU 316N	6419410214305	16 A	3HP	10HP	7.5HP	0,4 / 0,2	Rotary disconnect switch	3
KU 325N	6419410214404	25 A	5HP	15HP	10HP	0,4 / 0,2	Rotary disconnect switch	3
KU 340N	6419410214503	40 A	7.5HP	20HP	15HP	0,4 / 0,2	Rotary disconnect switch	3
KU 363N	6419410214602	60 A	10HP	25HP	25HP	0,4 / 0,2	Rotary disconnect switch	3
KU 380N	6419410214701	80 A	15HP	30HP	30HP	0,4 / 0,2	Rotary disconnect switch	3
KU 416N	6419410215005	16 A	3HP	10HP	7.5HP	0,4 / 0,2	Rotary disconnect switch	4
KU 425N	6419410215203	25 A	5HP	15HP	10HP	0,4 / 0,2	Rotary disconnect switch	4
KU 440N	6419410215500	40 A	7.5HP	20HP	15HP	0,4 / 0,2	Rotary disconnect switch	4
KU 463N	6419410215906	60 A	10HP	25HP	25HP	0,4 / 0,2	Rotary disconnect switch	4
KU 480N	6419410216002	80 A	15HP	30HP	30HP	0,4 / 0,2	Rotary disconnect switch	4
RT 316 L42LKX50	6419410257753	16 A	5 HP	7.5 HP	10 HP	0,4 / 0,2	Rotary Disconnect Switch, Door / Side Panel Mounting	3
RT 325 L42LKX50	6419410257760	30 A	7.5 HP	10 HP	15 HP	0,4 / 0,2	Rotary Disconnect Switch, Door / Side Panel Mounting	3
RT 340 L42LKX50	6419410257777	40 A	10 HP	15 HP	20 HP	0,4 / 0,2	Rotary Disconnect Switch, Door / Side Panel Mounting	3
RT 316 L42LKX50YR	6419410257784	16 A	5 HP	7.5 HP	10 HP	0,4 / 0,2	Rotary Disconnect Switch, Door / Side Panel Mounting	4
RT 325 L42LKX50YR	6419410257791	30 A	7.5 HP	10 HP	15 HP	0,4 / 0,2	Rotary Disconnect Switch, Door / Side Panel Mounting	4
RT 340 L42LKX50YR	6419410257807	40 A	10 HP	15 HP	20 HP	0,4 / 0,2	Rotary Disconnect Switch, Door / Side Panel Mounting	4

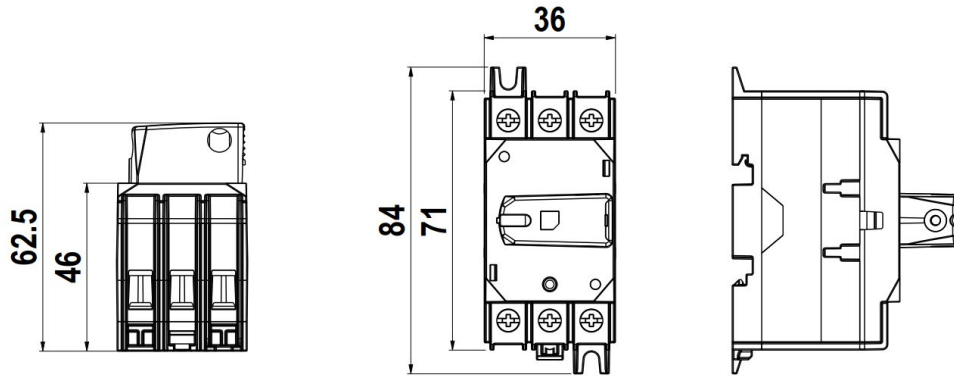
Switches

TYPE	EAN	AMPERE RATING 600 V	HP 240 V	HP 480 V	HP 600 V	WEIGHT (lb/kg)	SWITCH TYPE	NUMBER OF POLES
VKA 480N	6419410218440	80 A	15HP	30HP	40HP	1,5 / 0,7	Rotary disconnect switch	4
VKA 4100N	6419410218556	100 A	20HP	40HP	50HP	1,5 / 0,7	Rotary disconnect switch	4
VKA 4125N	6419410218600	125 A	25HP	50HP	60HP	1,5 / 0,7	Rotary disconnect switch	4
VKA 4160N	6419410219102	150 A	30HP	60HP	75HP	1,5 / 0,7	Rotary disconnect switch	4
KUE 316	6419410200308	16 A	3HP	10HP	7.5HP	0,4 / 0,2	Toggle disconnect switch	3
KUE 316 KKUE	6419410200315	16 A	3HP	10HP	7.5HP	0,4 / 0,2	Toggle disconnect switch + rectangle front-plate	3
KUE 316 RKUE	6419410200377	16 A	3HP	10HP	7.5HP	0,4 / 0,2	Toggle disconnect switch + round front-plate	3
KUE 325	6419410200407	25 A	5HP	15HP	10HP	0,4 / 0,2	Toggle disconnect switch	3
KUE 325 KKUE	6419410200414	25 A	5HP	15HP	10HP	0,4 / 0,2	Toggle disconnect switch + rectangle front-plate	3
KUE 325 RKUE	6419410200476	25 A	5HP	15HP	10HP	0,4 / 0,2	Toggle disconnect switch + round front-plate	3
KUE 340	6419410200506	40 A	7.5HP	20HP	15HP	0,4 / 0,2	Toggle disconnect switch	3
KUE 340 KKUE	6419410200513	40 A	7.5HP	20HP	15HP	0,4 / 0,2	Toggle disconnect switch + rectangle front-plate	3
KUE 340 RKUE	6419410200544	40 A	7.5HP	20HP	15HP	0,4 / 0,2	Toggle disconnect switch + round front-plate	3
KUE 363	6419410200605	60 A	10HP	25HP	25HP	0,4 / 0,2	Toggle disconnect switch	3
KUE 363 KKUE	6419410200612	60 A	10HP	25HP	25HP	0,4 / 0,2	Toggle disconnect switch + rectangle front-plate	3
KUE 363 RKUE	6419410200674	60 A	10HP	25HP	25HP	0,4 / 0,2	Toggle disconnect switch + round front-plate	3
KUE 380	6419410200704	80 A	15HP	30HP	30HP	0,4 / 0,2	Toggle disconnect switch	3
KUE 380 KKUE	6419410200711	80 A	15HP	30HP	30HP	0,4 / 0,2	Toggle disconnect switch + rectangle front-plate	3
KUE 380 RKUE	6419410200742	80 A	15HP	30HP	30HP	0,4 / 0,2	Toggle disconnect switch + round front-plate	3

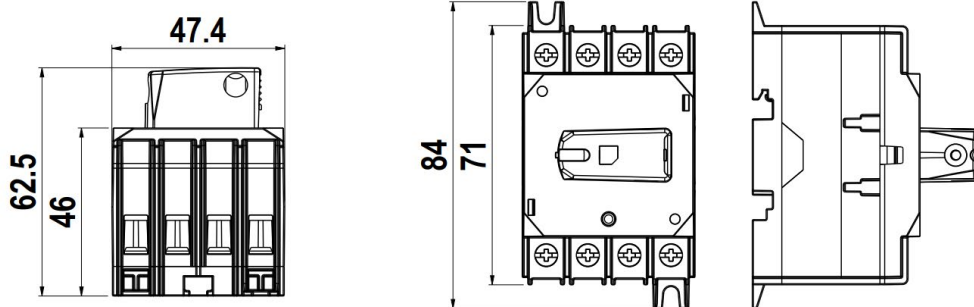


Dimensional Drawings, KU 16-40 A & RT 16-40 A

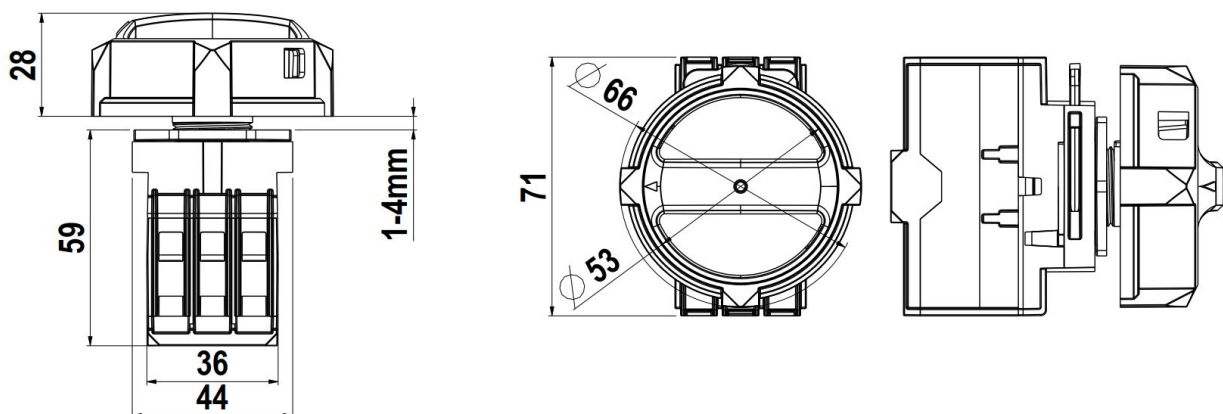
KU 3-POLE



KU 4-POLE

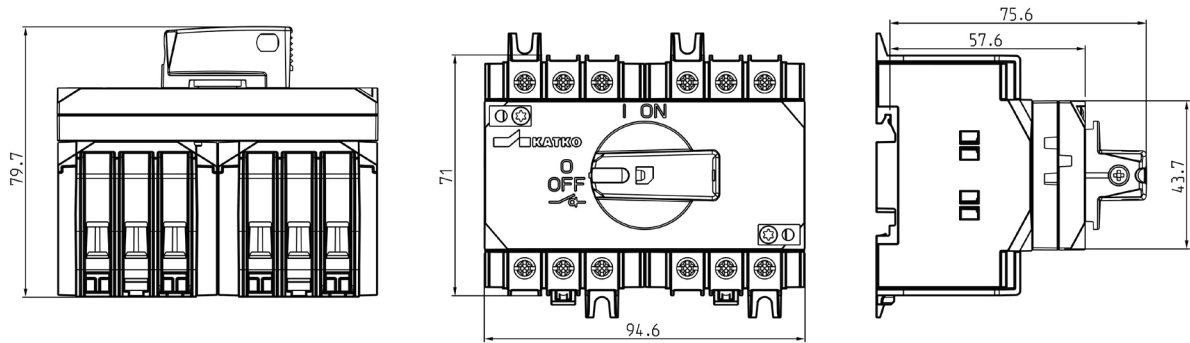


RT 3-POLE WITH LKX50 / DOOR MOUNTING

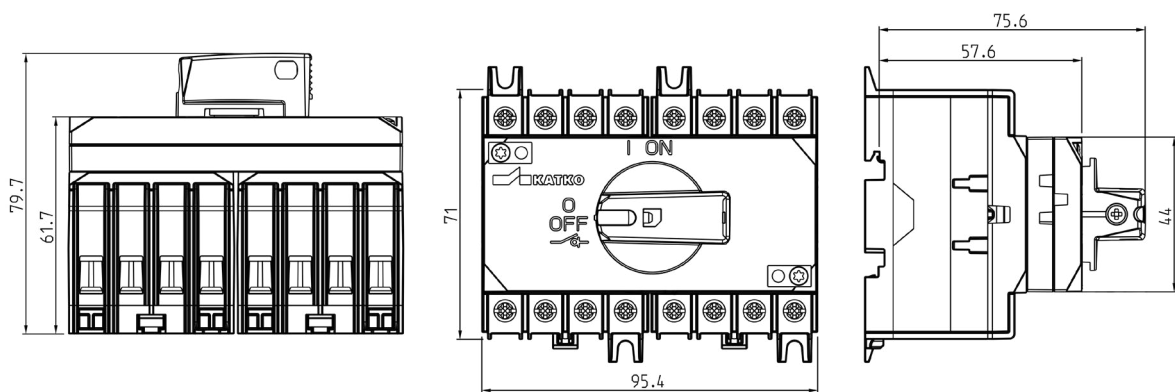


Dimensional Drawings, KU 16-40 A

KU 6-POLE

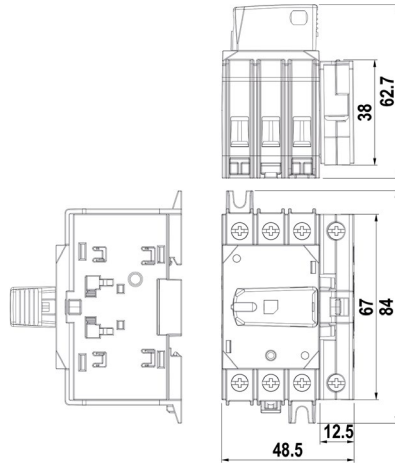


KU 8-POLE

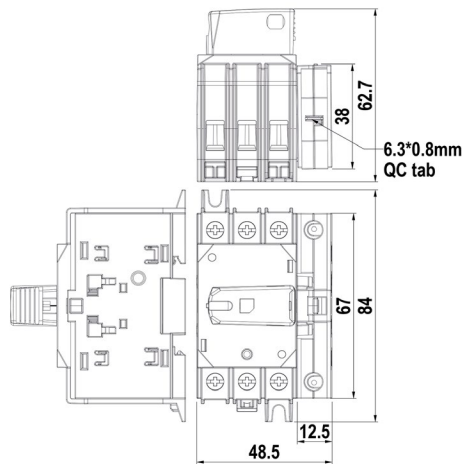


Dimensional Drawings, KU 16-40 A & RT 16-40 A

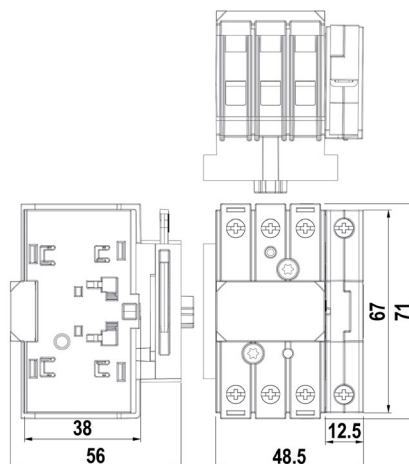
1N040KU/1NC40KU & 3-POLE KU 340



1N040QC/1NC40QC & 3-POLE KU 340

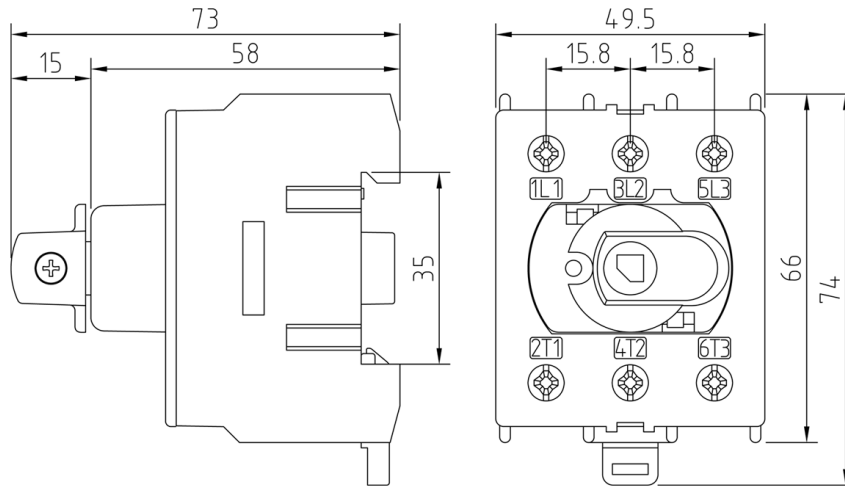


1N040RT/1NC40RT AND 3-POLE RT 340

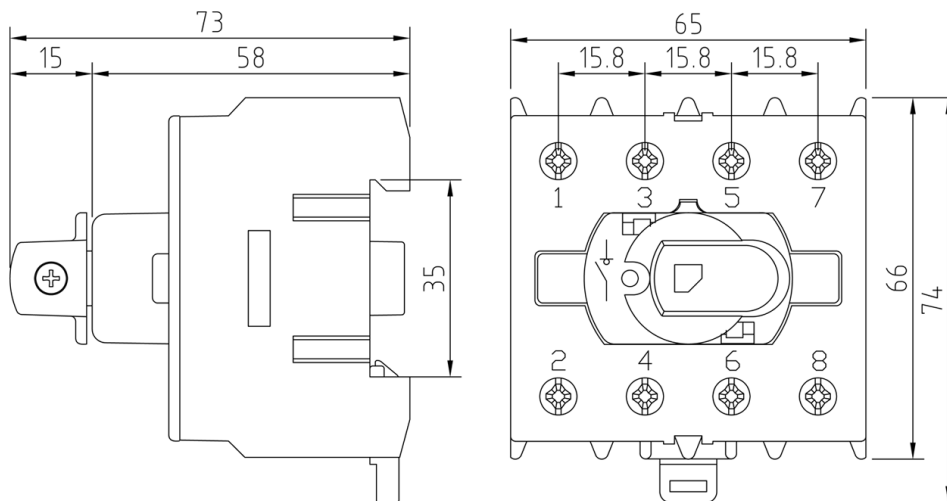


Dimensional Drawings, KU 16-80 A & 125 A (N)

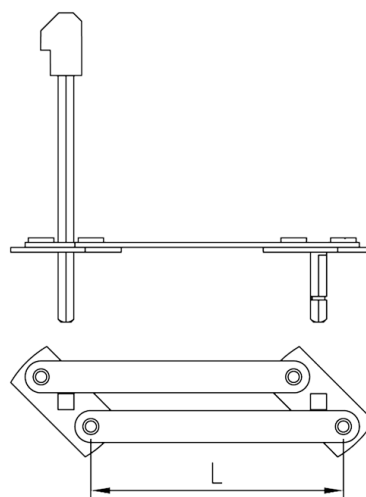
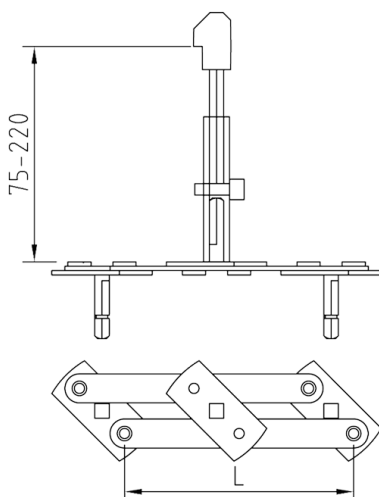
KU 3-POLE (N)



KU 4-POLE (N)



KU 6- & 8-POLE (N) PARALLEL KIT

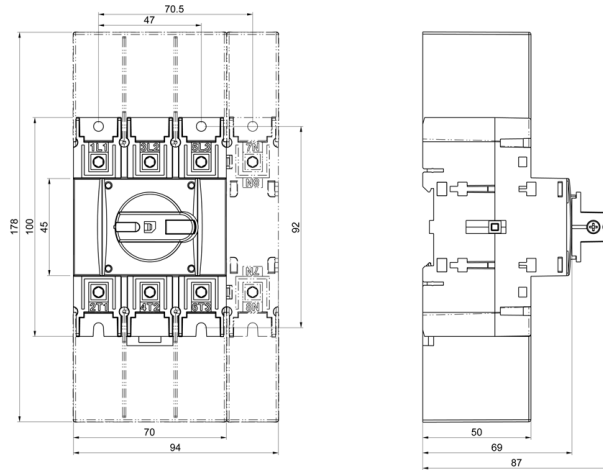


KU 6-POLE
LENGTH, L (mm)
 RV = 66
 RV S = 66

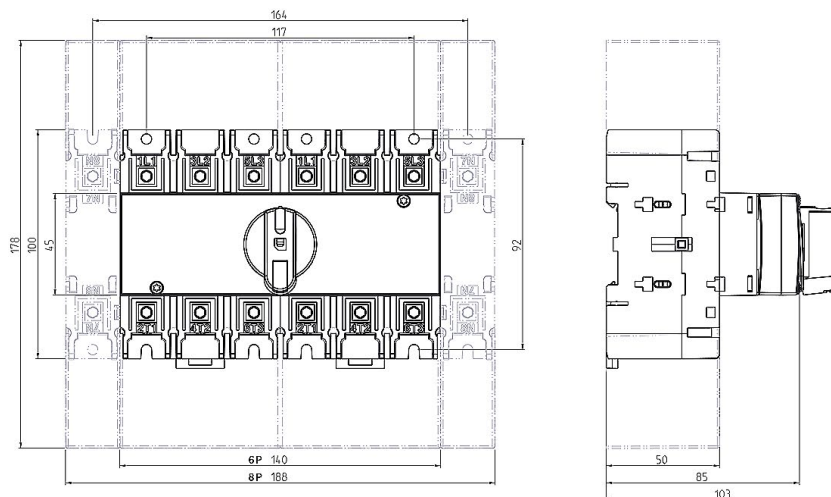
KU 8-POLE
LENGTH, L (mm)
 RV = 80
 RV S = 80

Dimensional Drawings, KU 100-160 A

KU 3- & 4-POLE, WITH TERMINAL COVERS

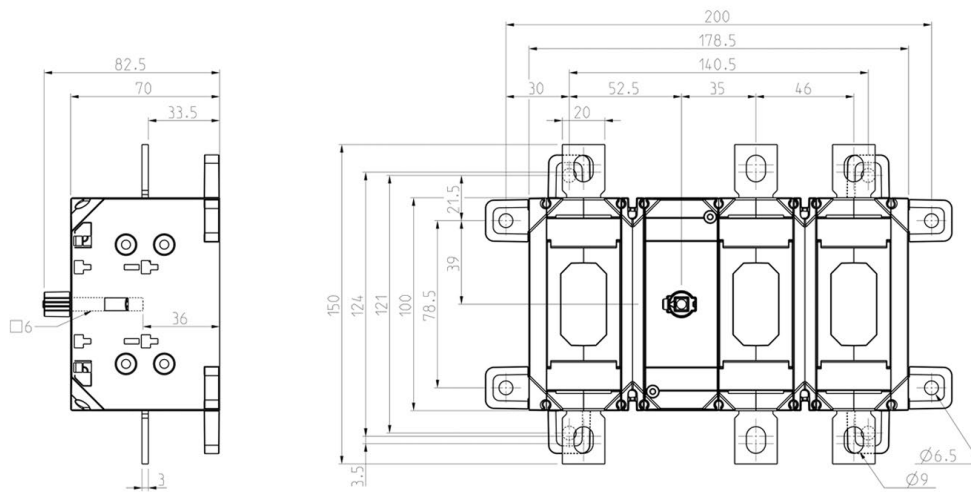


KU 6- & 8-POLE, WITH TERMINAL COVERS

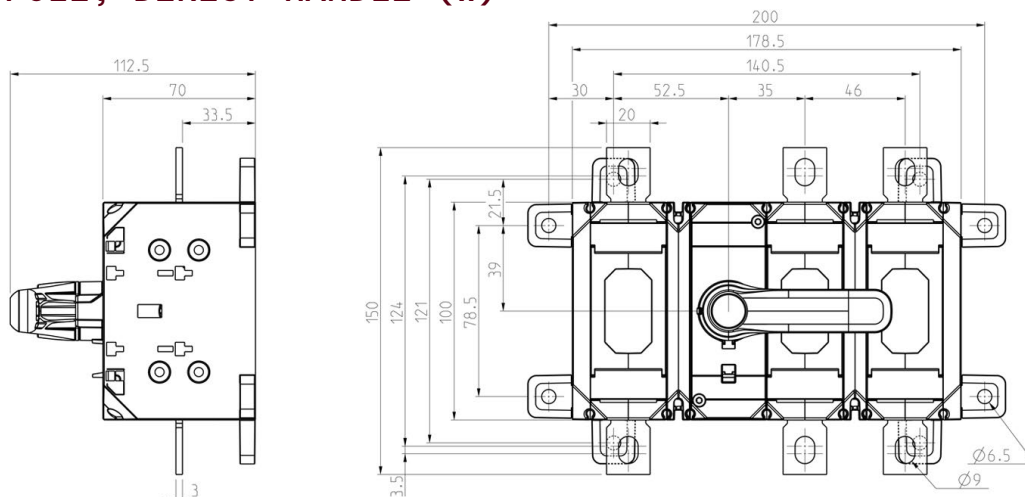


Dimensional Drawings, KU 200-250A & 160A PERFORMANCE (P)

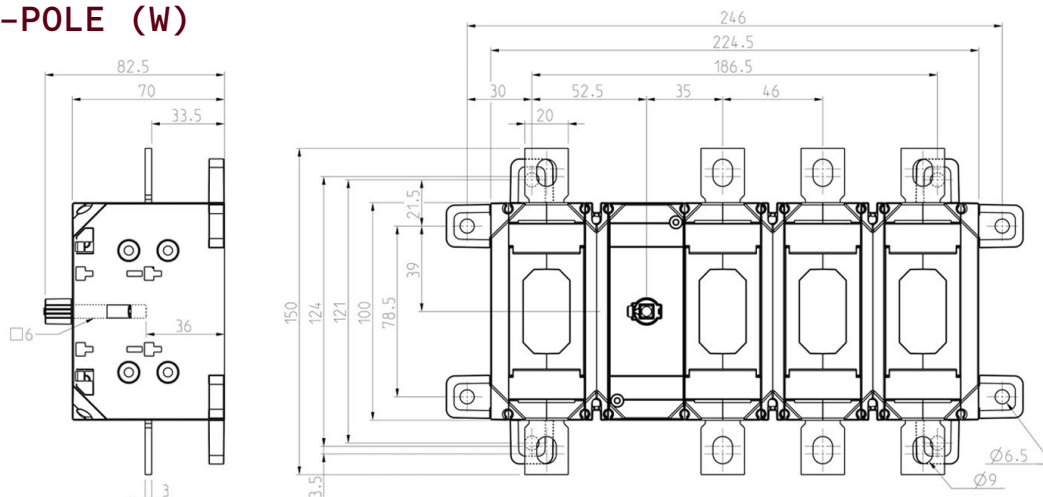
KU 3-POLE (W)



KU 3-POLE, DIRECT HANDLE (W)

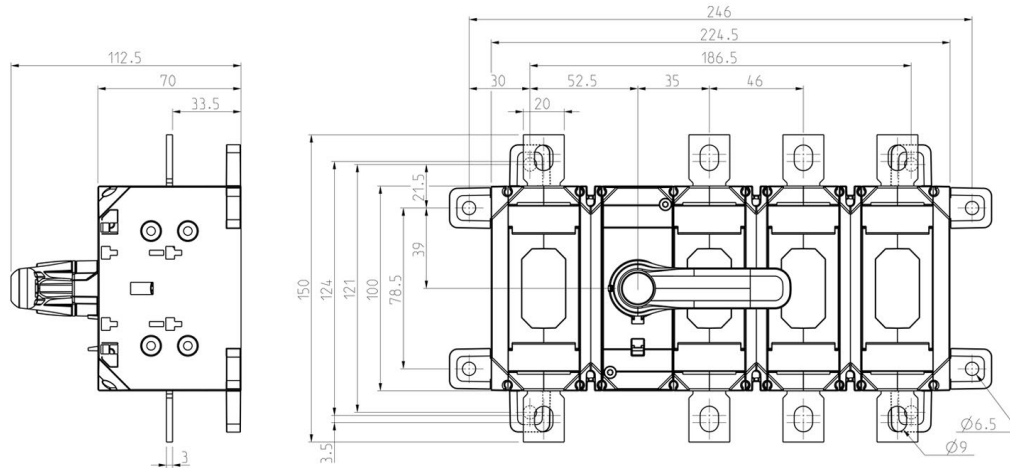


KU 4-POLE (W)

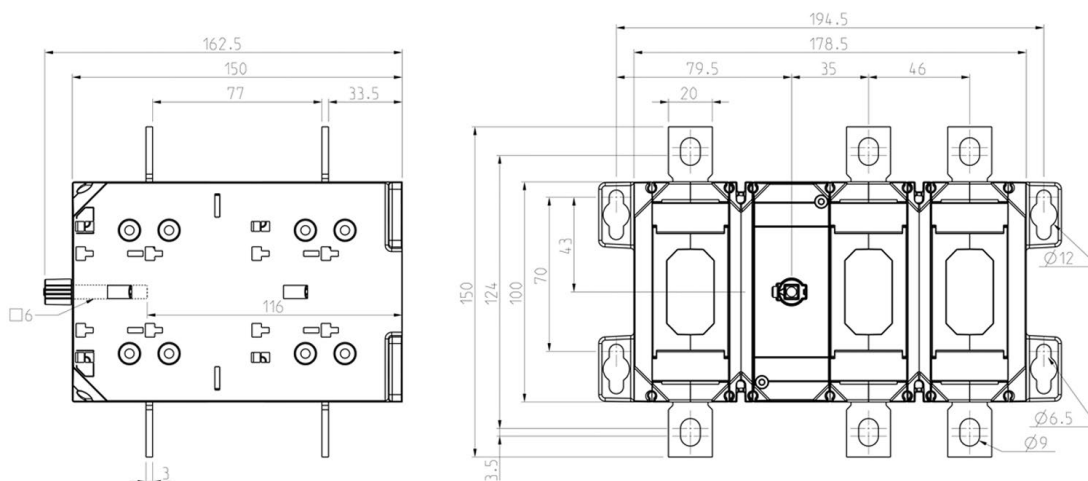


Dimensional Drawings, KU 200-250A & 160A PERFORMANCE (P)

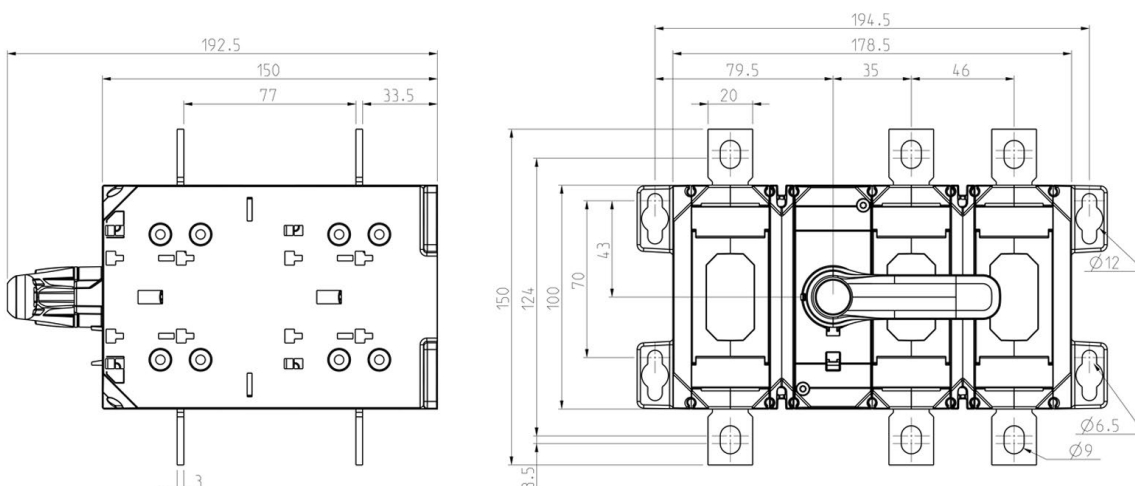
KU 4-POLE, DIRECT HANDLE (W)



KU 6-POLE (W)

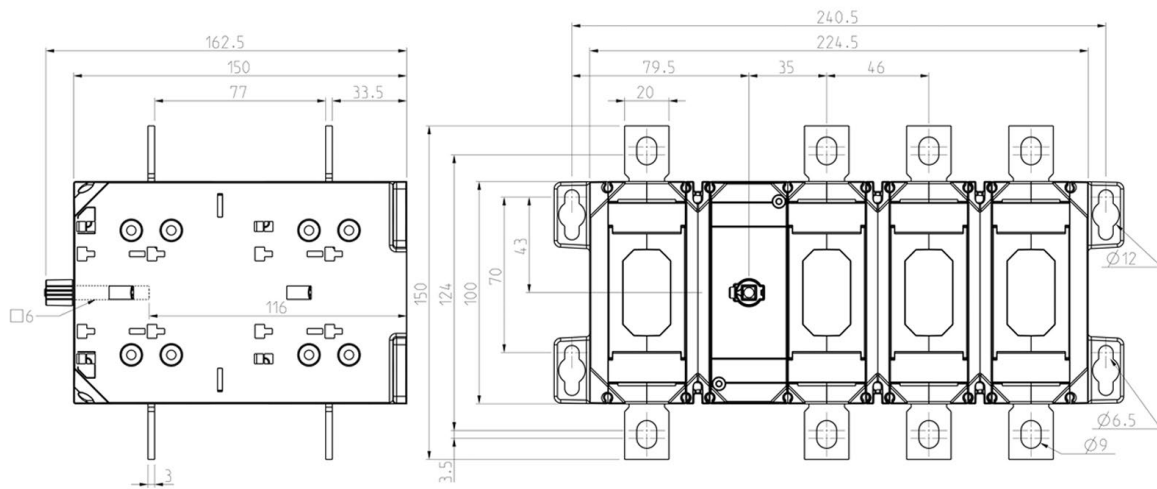


KU 6-POLE, DIRECT HANDLE (W)

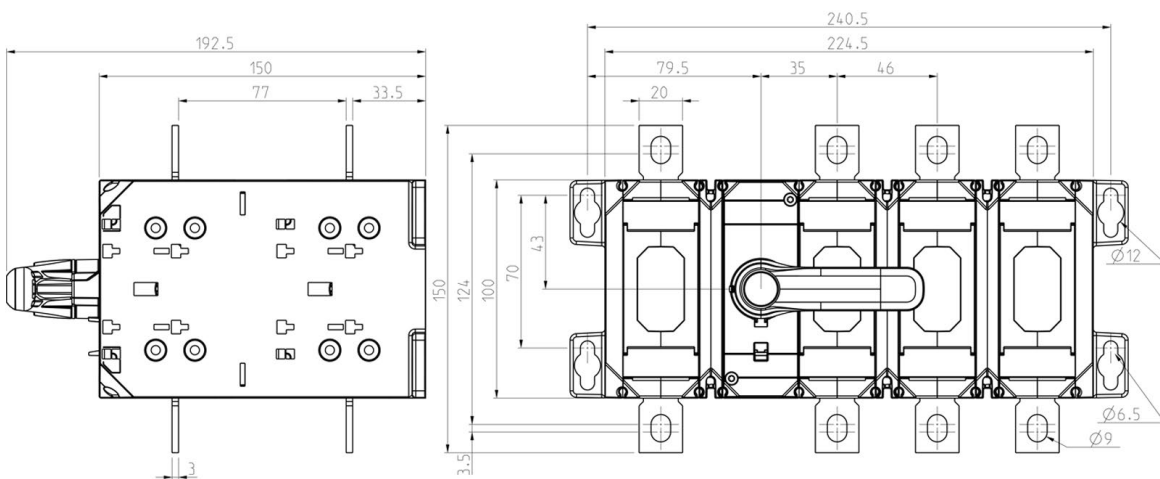


Dimensional Drawings, KU 200-250A & 160A PERFORMANCE (P)

KU 8-POLE (W)

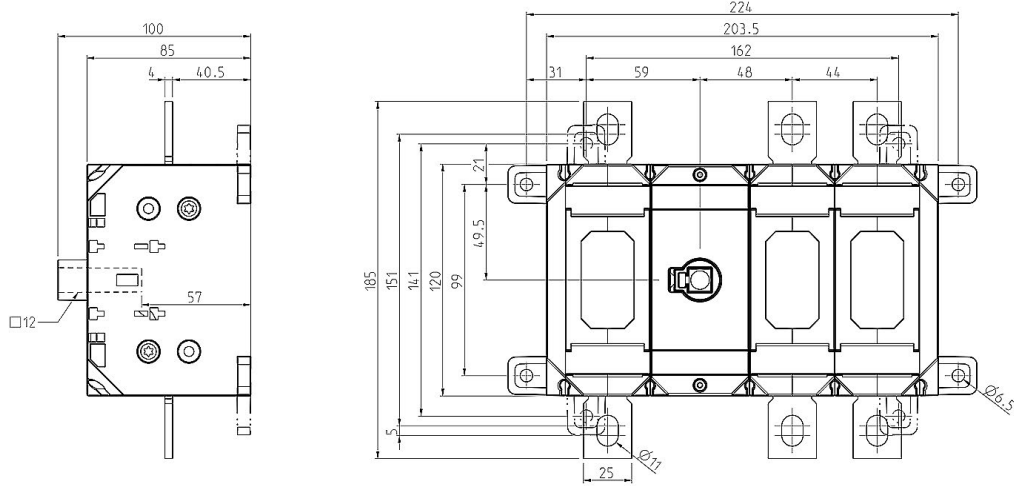


KU 8-POLE, DIRECT HANDLE (W)

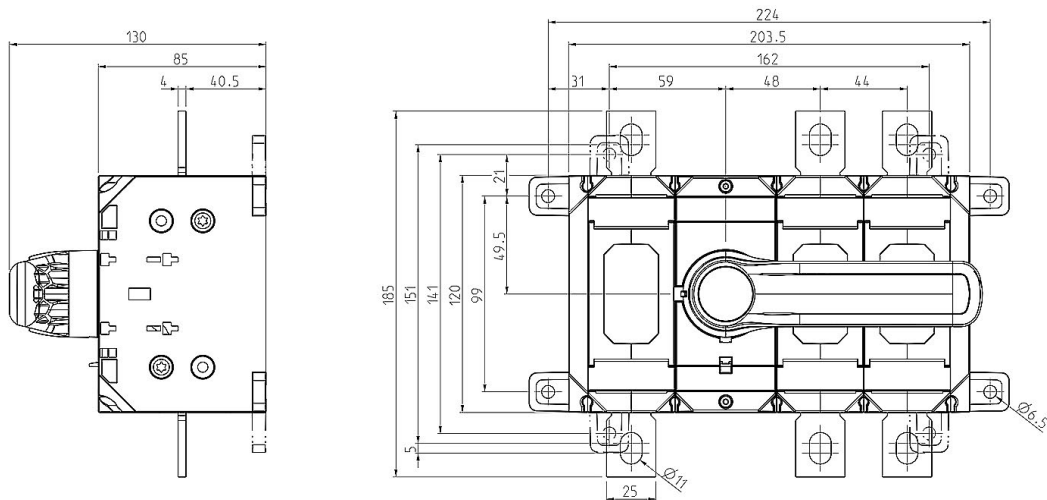


Dimensional Drawings, KU 315-400A

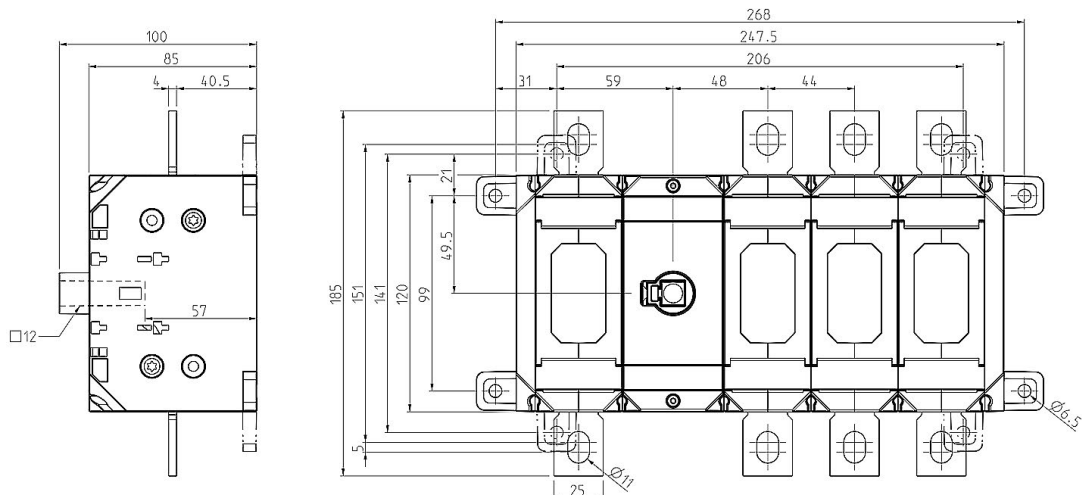
KU 3-POLE



KU 3-POLE, DIRECT HANDLE

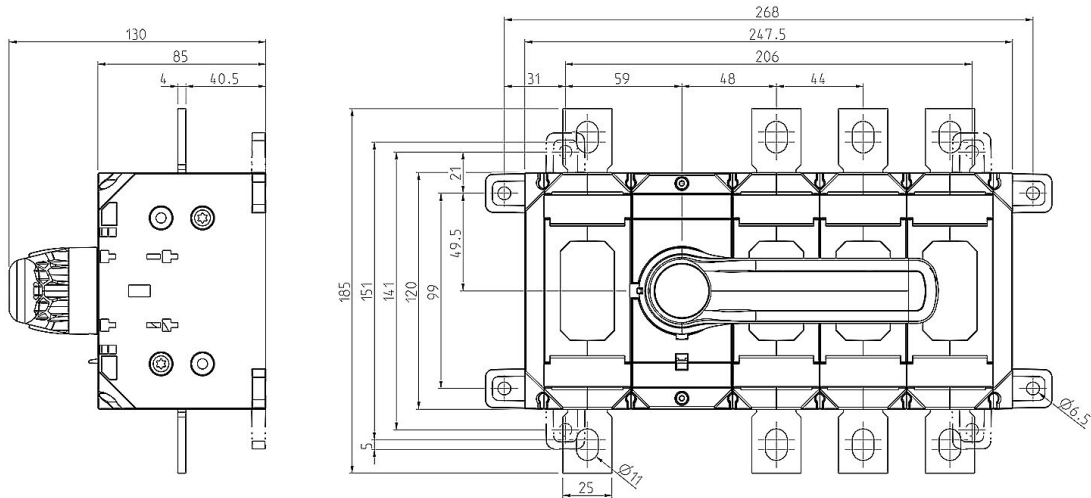


KU 4-POLE

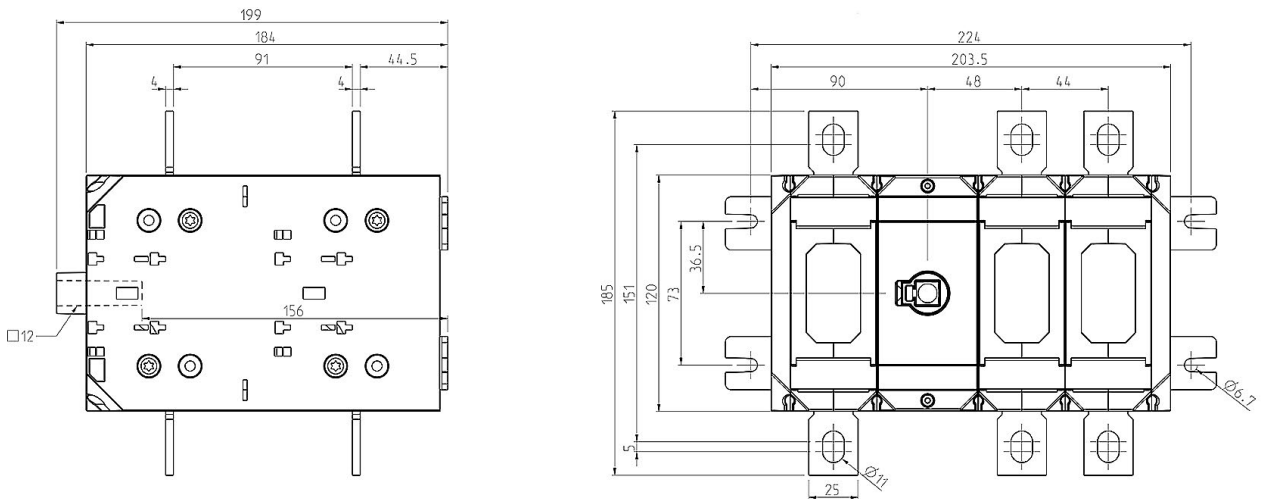


Dimensional Drawings, KU 315-400A

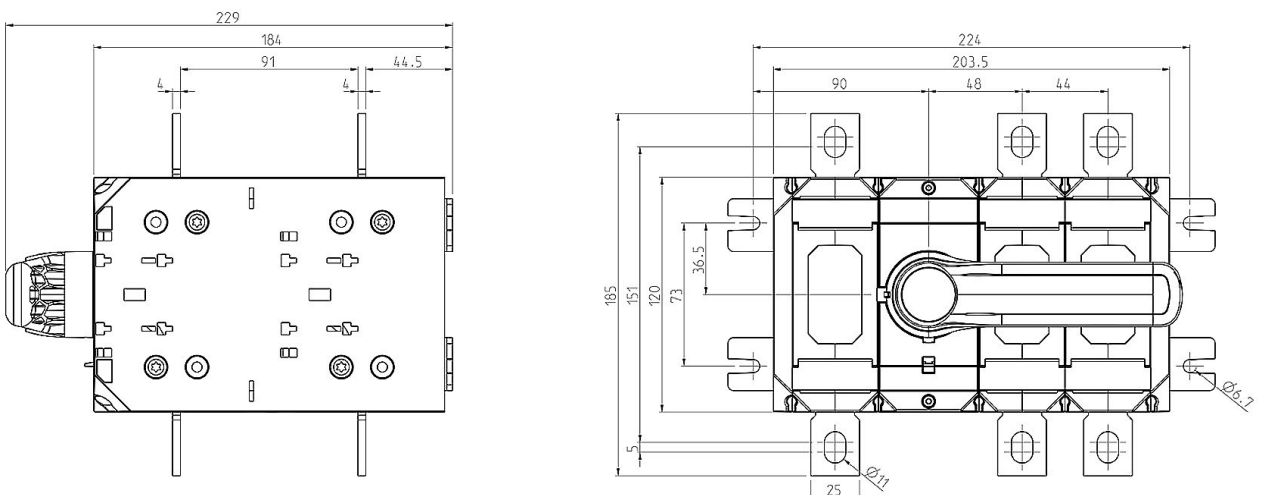
KU 4-POLE, DIRECT HANDLE



KU 6-POLE

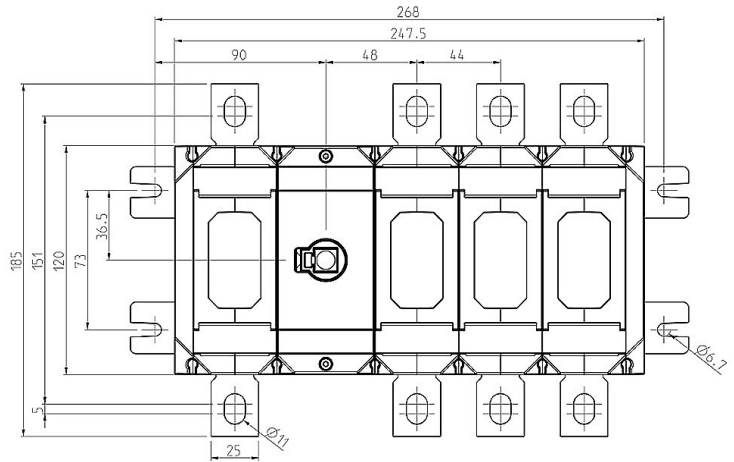
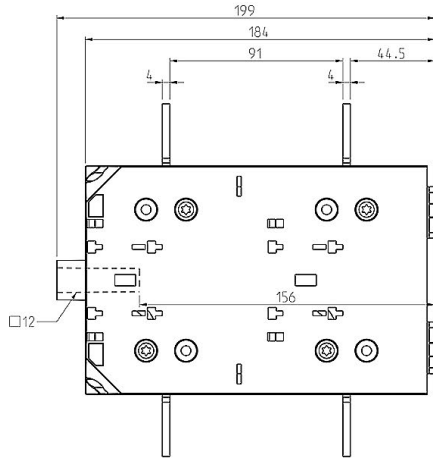


KU 6-POLE, DIRECT HANDLE

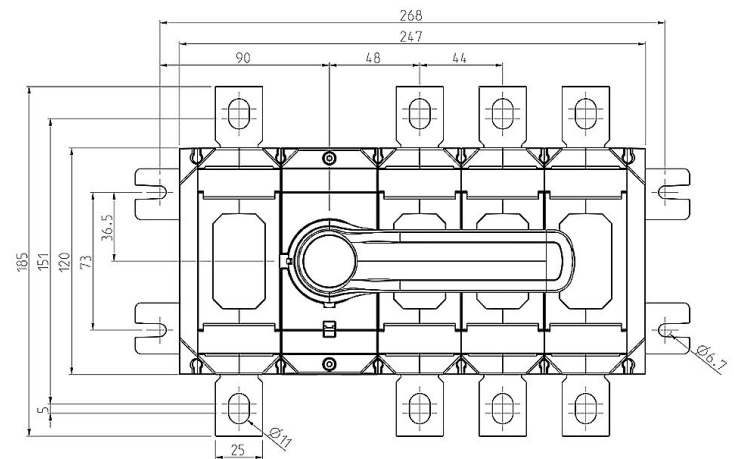
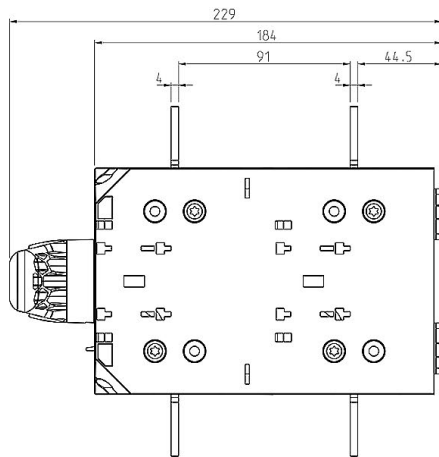


Dimensional Drawings, KU 315-400A

KU 8-POLE

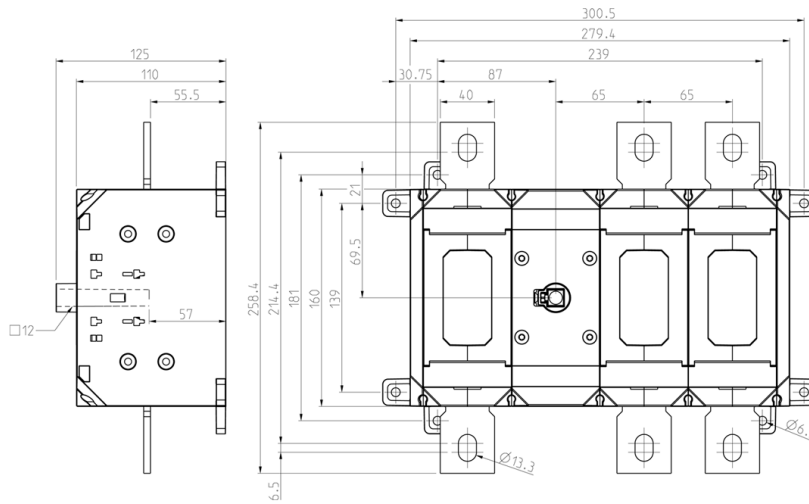


KU 8-POLE, DIRECT HANDLE

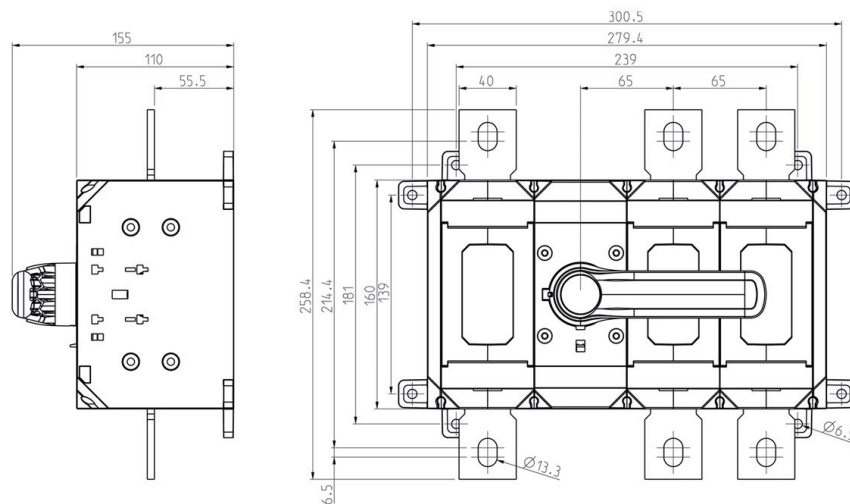


Dimensional Drawings, KU 630-800A

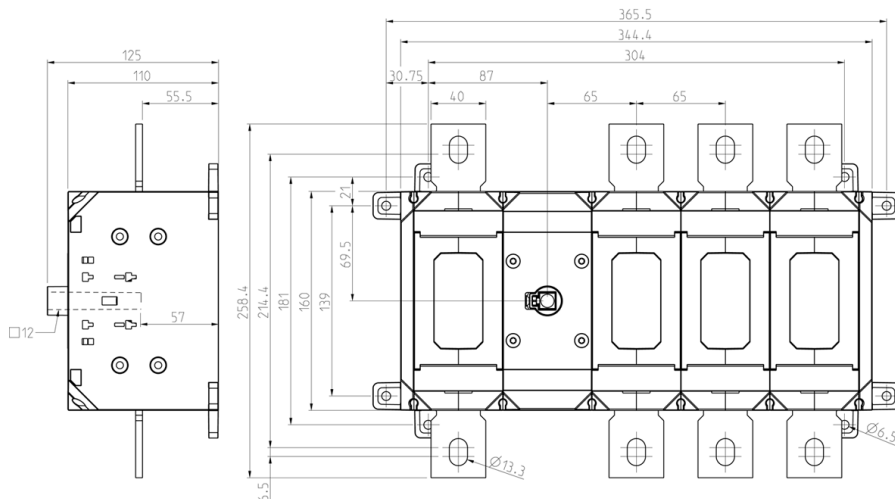
KU 3-POLE



KU 3-POLE SV

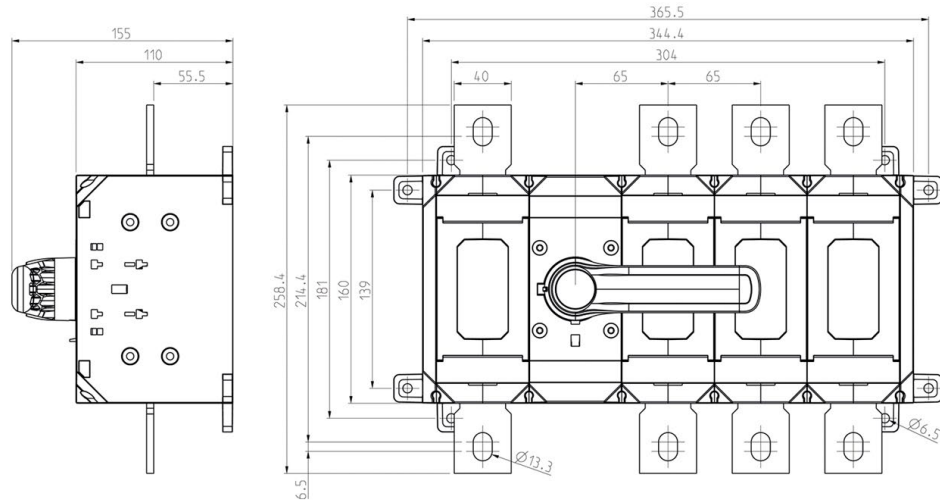


KU 4-POLE

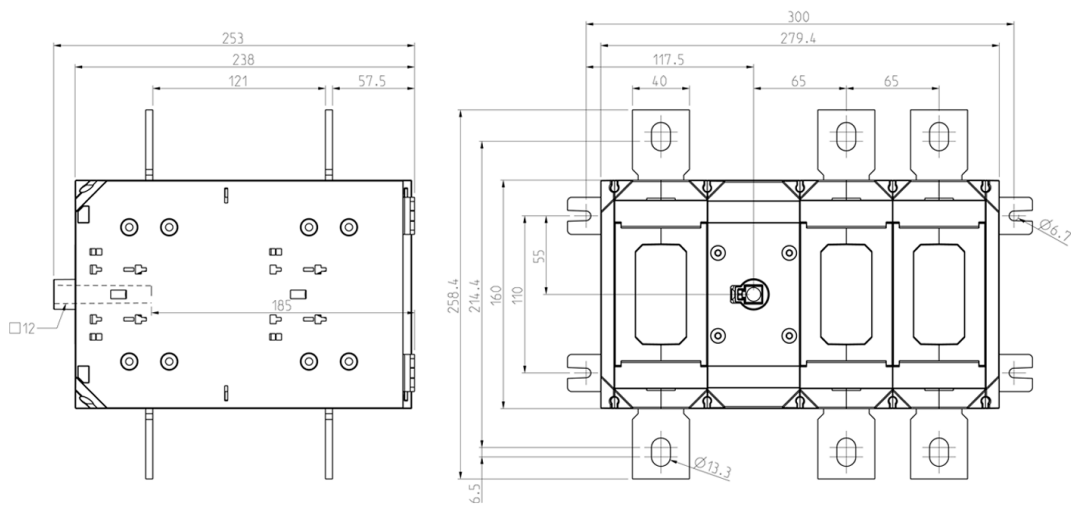


Dimensional Drawings, KU 630-800A

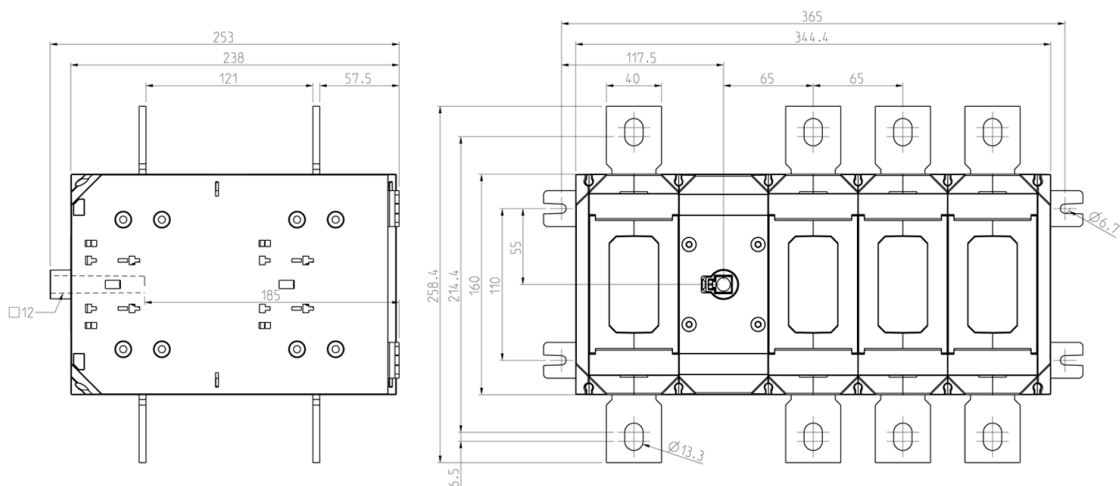
KU 4-POLE SV



KU 6-POLE

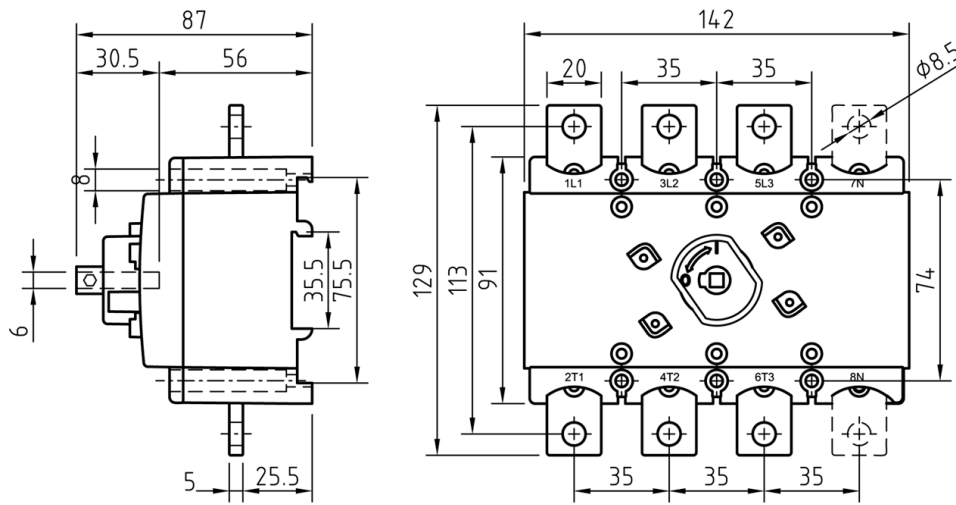


KU 8-POLE

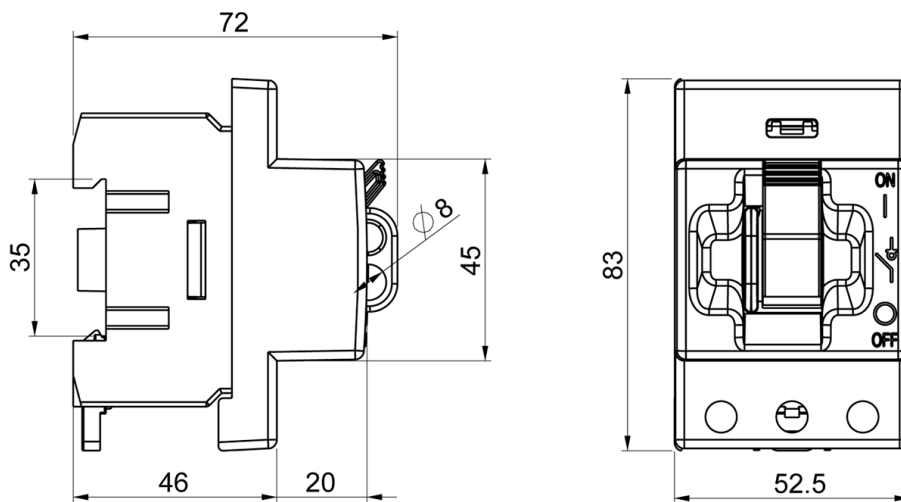


Dimensional Drawings, VKA 200-250A & KUE 16-125 A

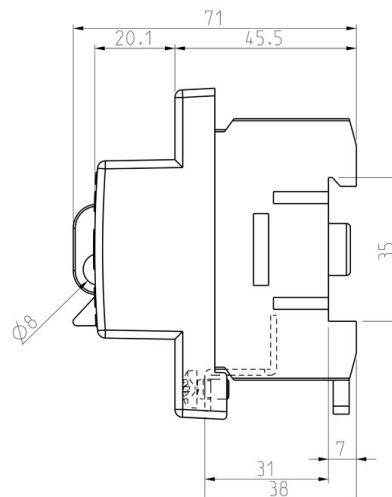
VKA 3- & 4-POLE



KUE + KKUE

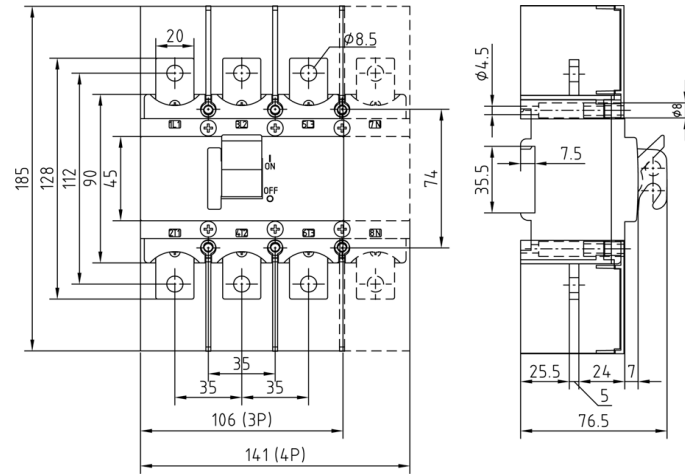


KUE AD1 + KKUE

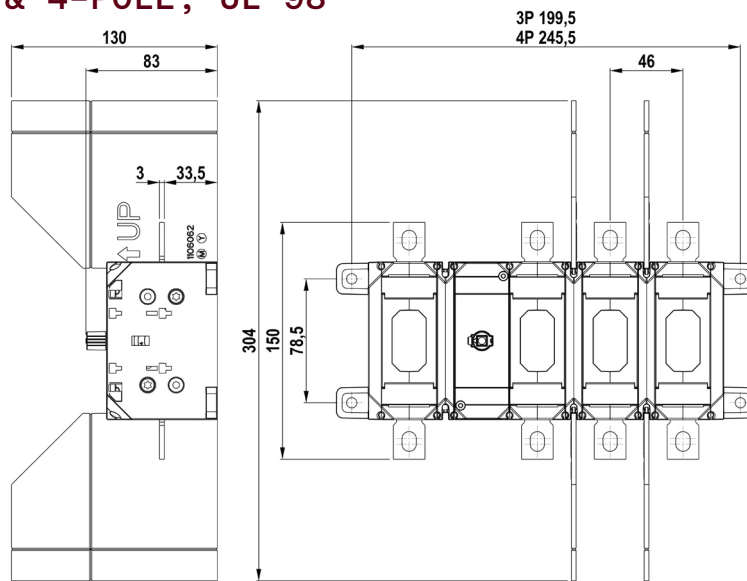


Dimensional Drawings, EVA 125-250A & UL 98 KU 200-400 A

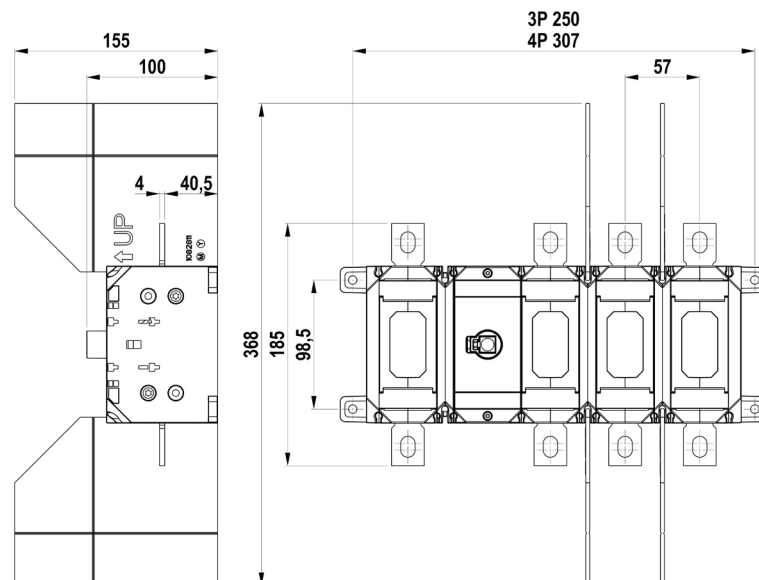
EVA 200-250 A 3- & 4-POLE



KU 200 A 3- & 4-POLE, UL 98

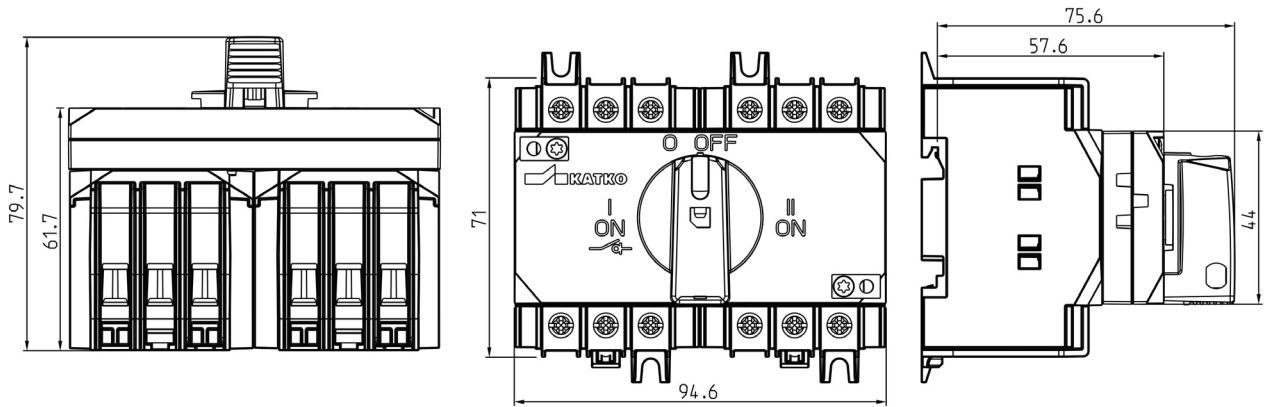


KU 400 A 3- & 4-POLE, UL 98

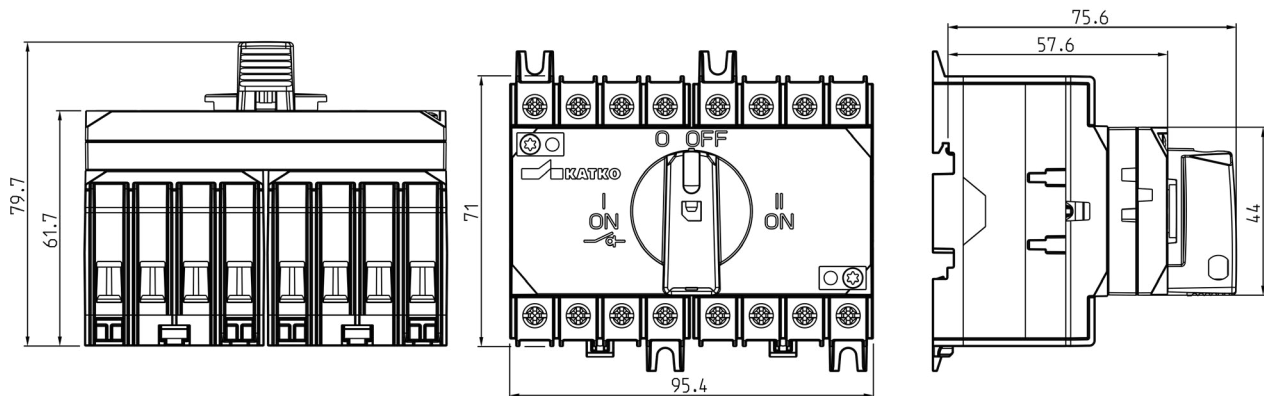


Dimensional Drawings, CHANGEOVER SWITCHES

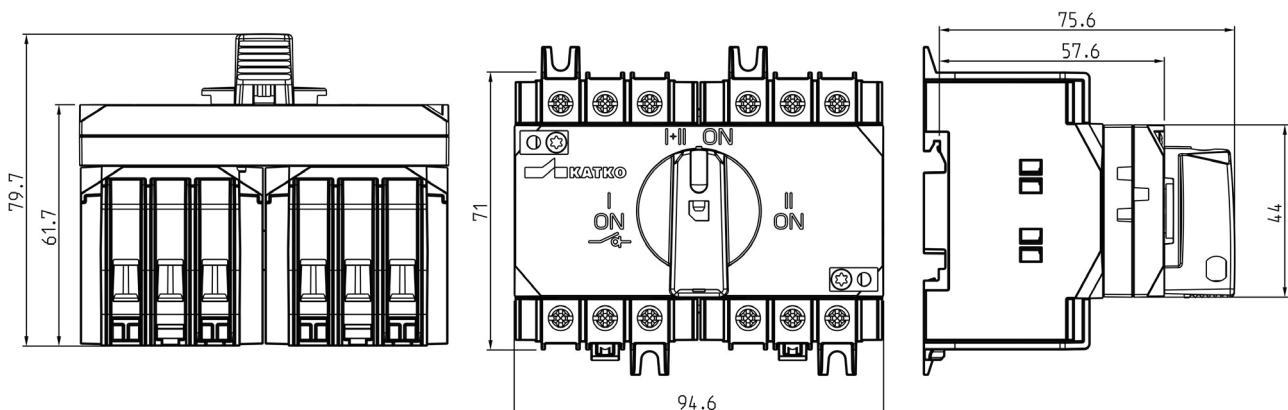
KU 16-40 A 3-POLE CHANGEOVER (C0, open transition)



KU 16-40 A 4-POLE CHANGEOVER (C0, open transition)

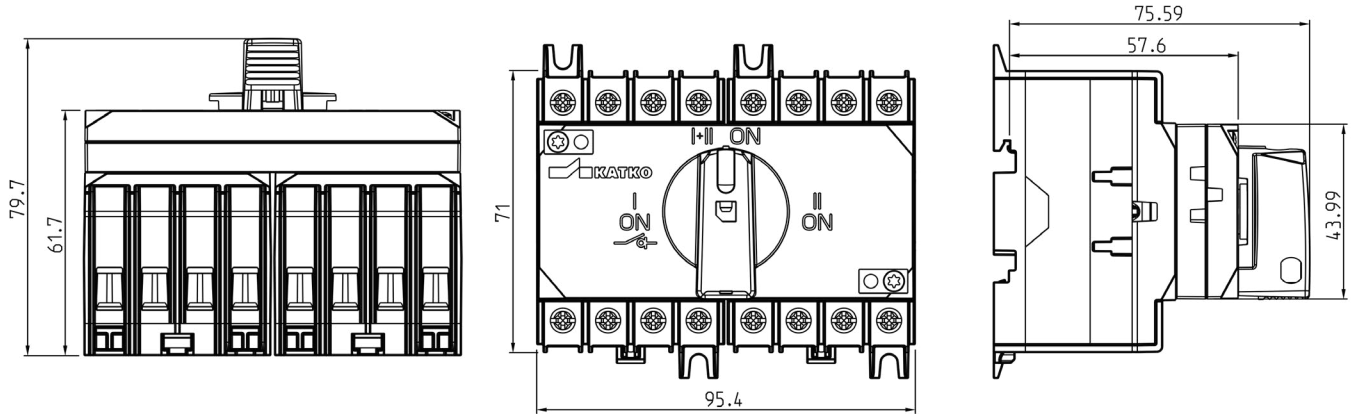


KU 16-40 A 3-POLE CHANGEOVER (CT, closed transition)

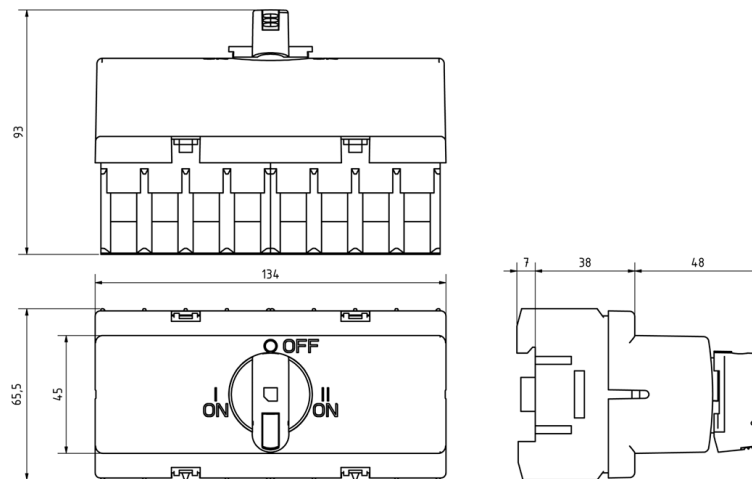


Dimensional Drawings, CHANGEOVER SWITCHES

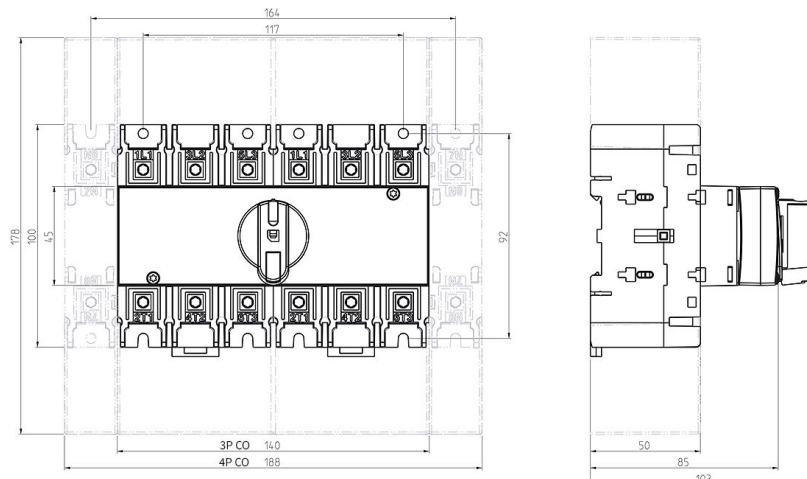
KU 16-40 A 4-POLE CHANGEOVER (CT, closed transition)



KU 16-80 A & 125 A (N) 3- & 4-POLE CHANGEOVER

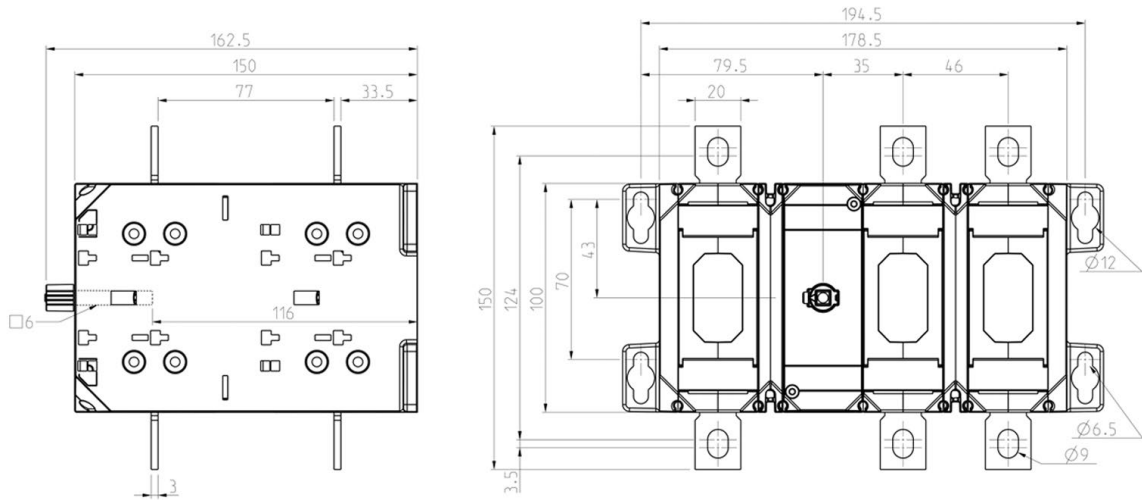


KU 100-160 A 3- & 4-POLE CHANGEOVER

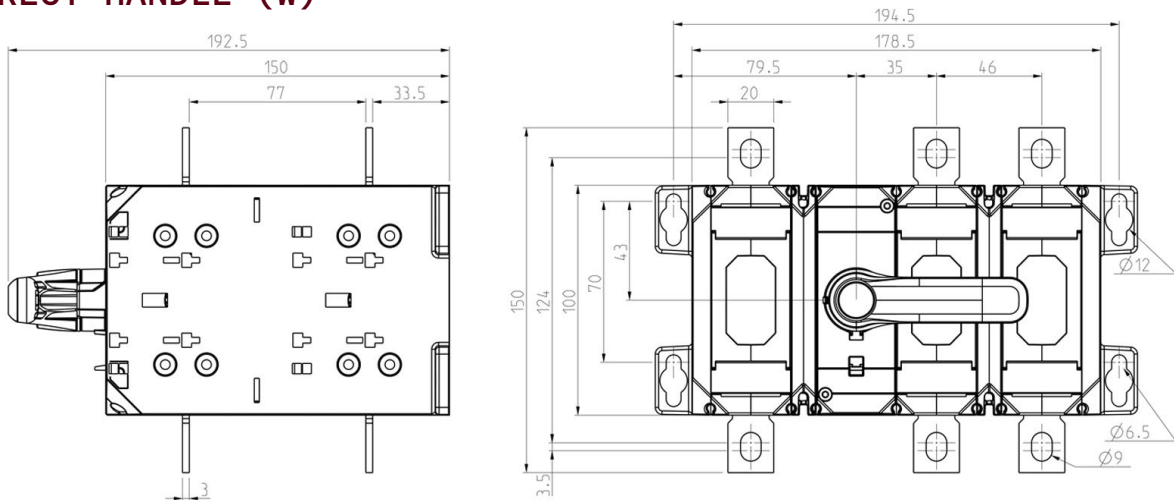


Dimensional Drawings, CHANGEOVER SWITCHES

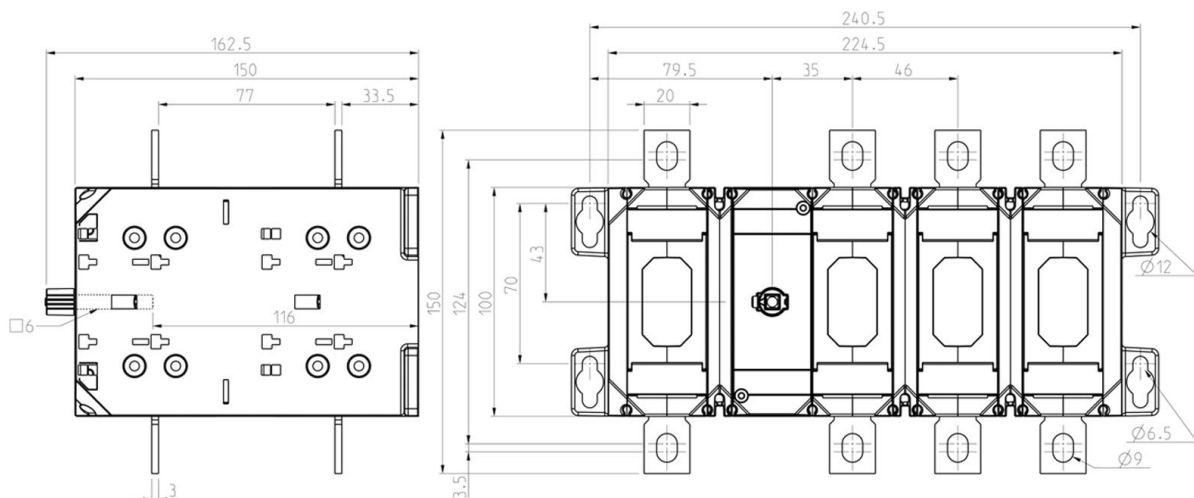
KU 200-250 A & 160 A PERFORMANCE (P) 3-POLE CHANGEOVER (W)



KU 200-250 A & 160 A PERFORMANCE (P) 3-POLE CHANGEOVER, DIRECT HANDLE (W)

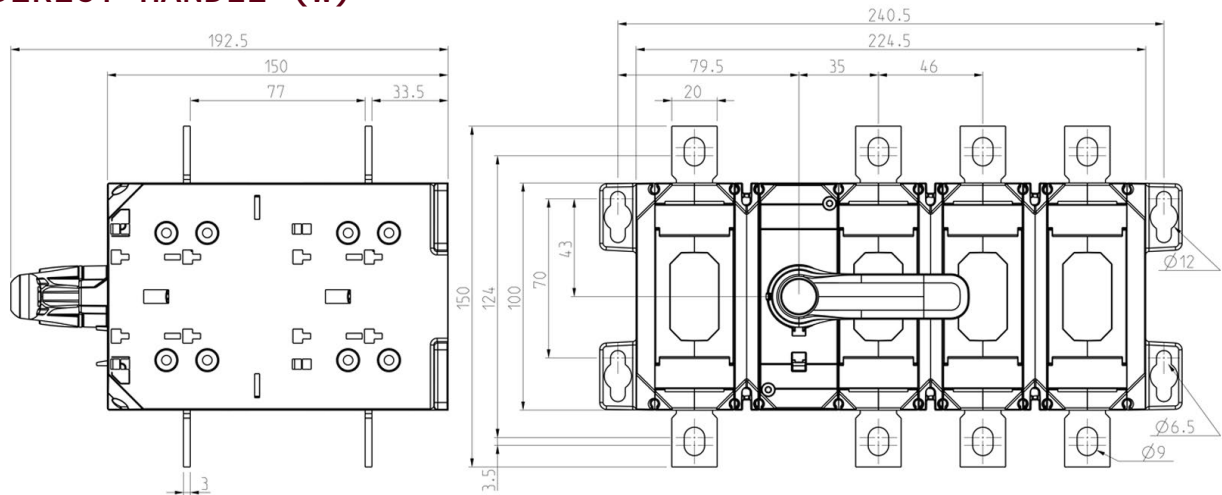


KU 200-250 A & 160 A PERFORMANCE (P) 4-POLE CHANGEOVER (W)

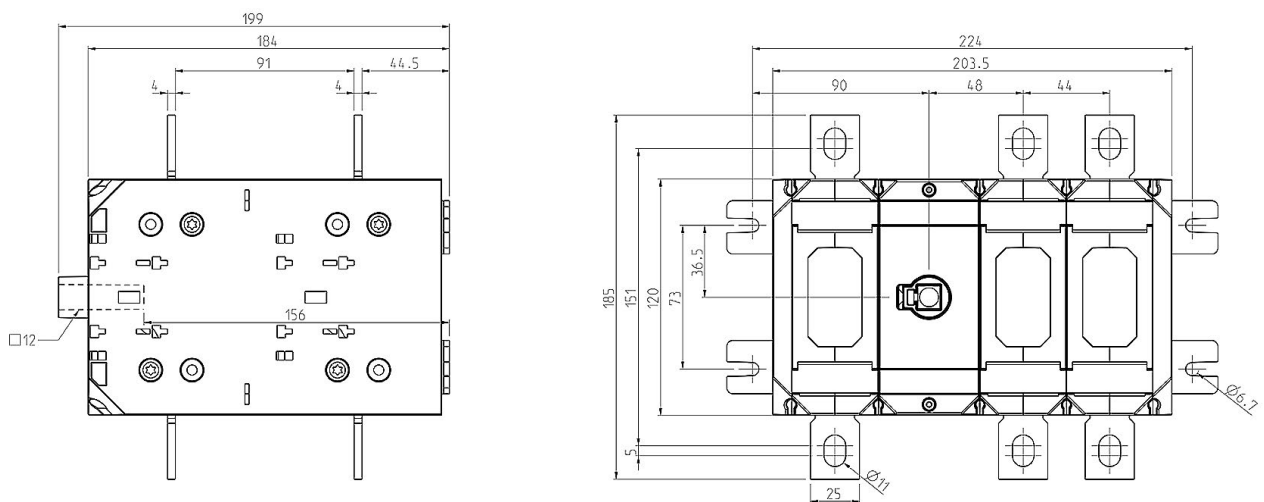


Dimensional Drawings, CHANGEOVER SWITCHES

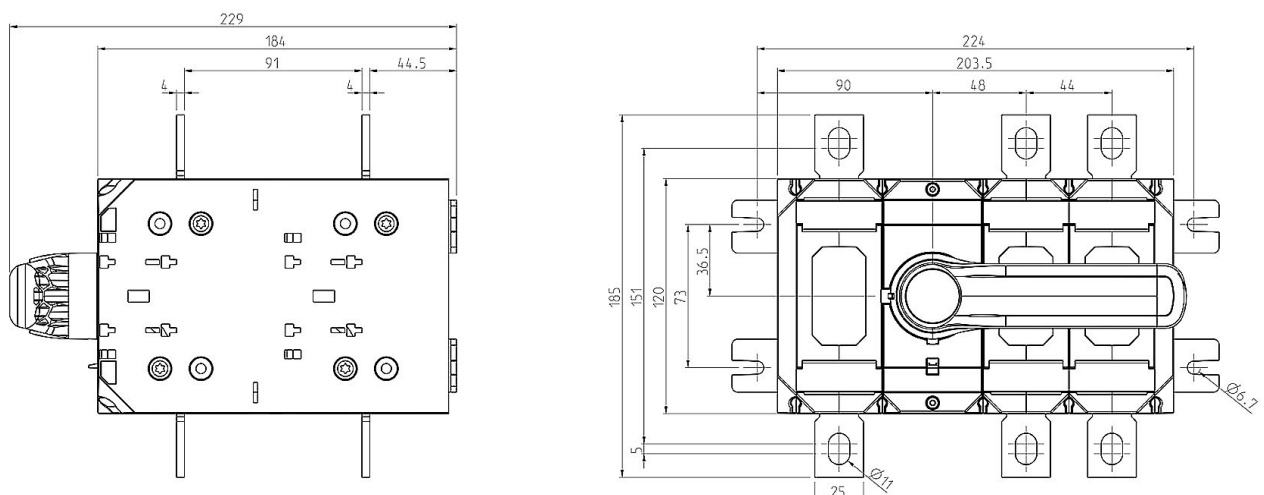
KU 200-250 A & 160 A PERFORMANCE (P) 4-POLE CHANGEOVER, DIRECT HANDLE (W)



KU 315-400 A 3-POLE CHANGEOVER

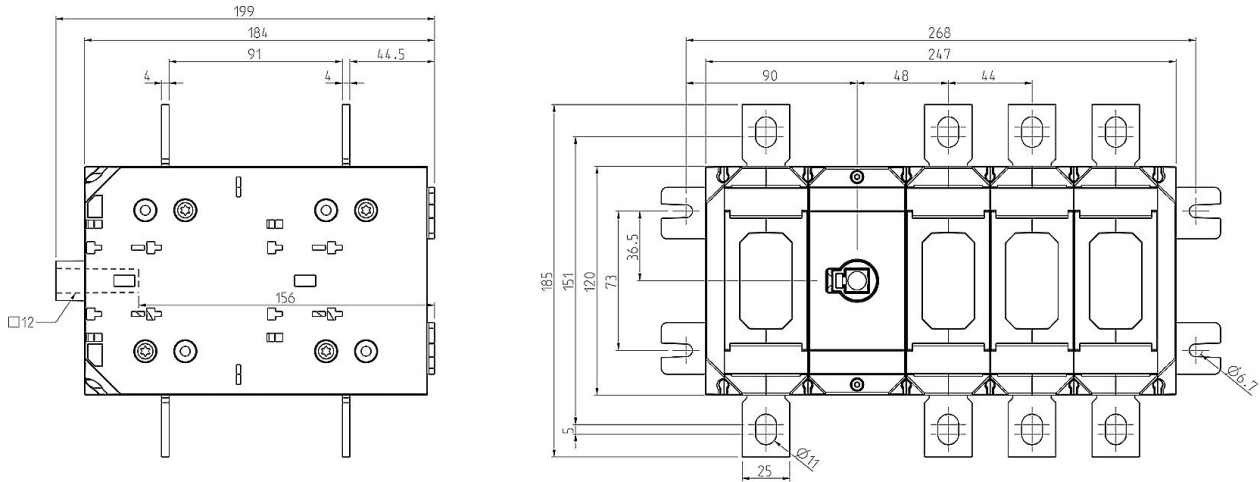


KU 315-400 A 3-POLE CHANGEOVER, DIRECT HANDLE

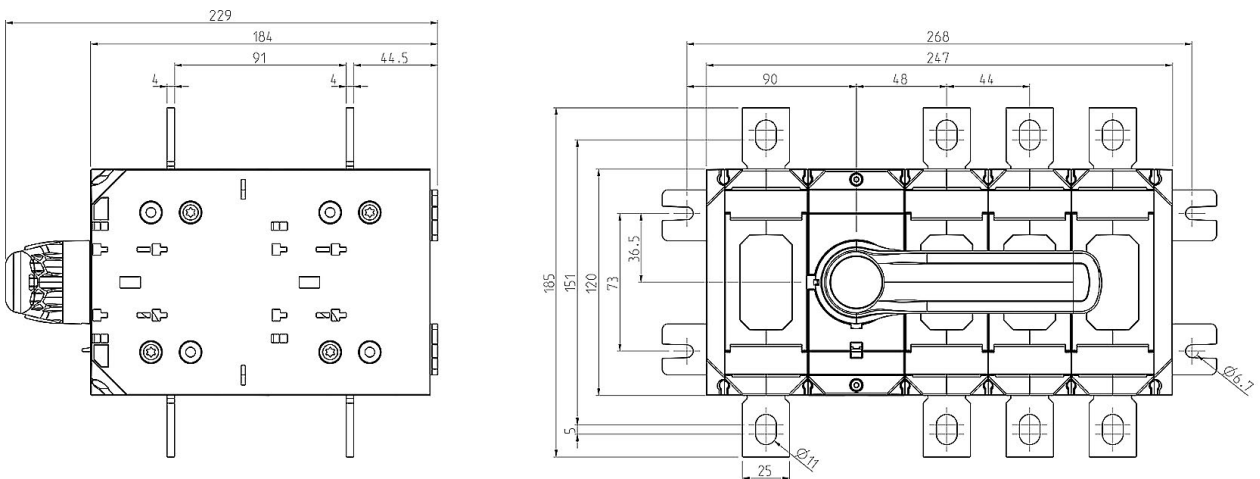


Dimensional Drawings, CHANGEOVER SWITCHES

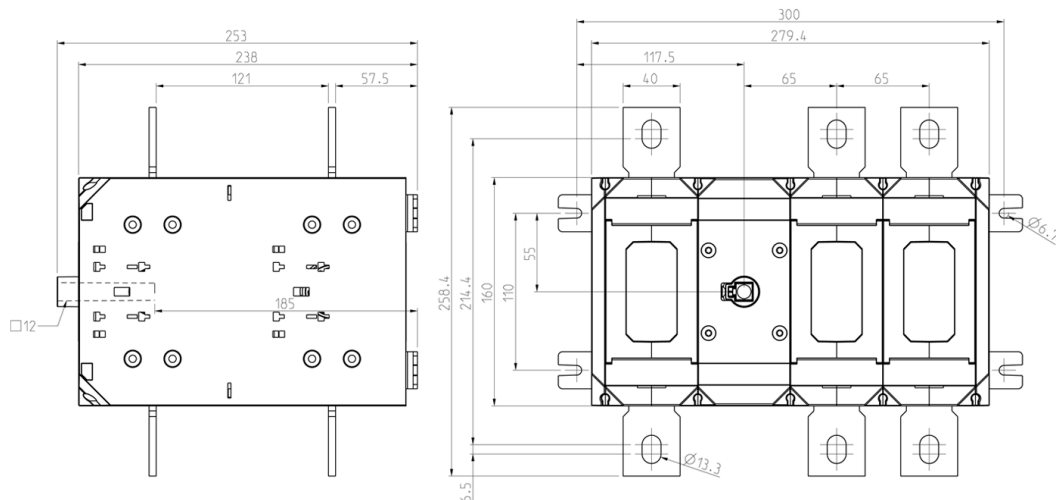
KU 315-400 A 4-POLE CHANGEOVER



KU 315-400 A 4-POLE CHANGEOVER, DIRECT HANDLE

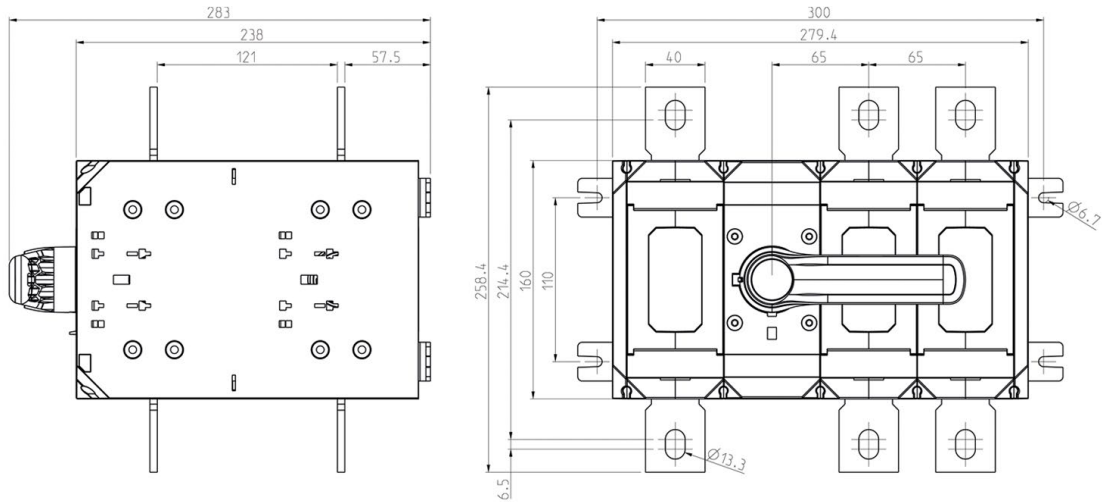


KU 630-800 A 3-POLE CHANGEOVER

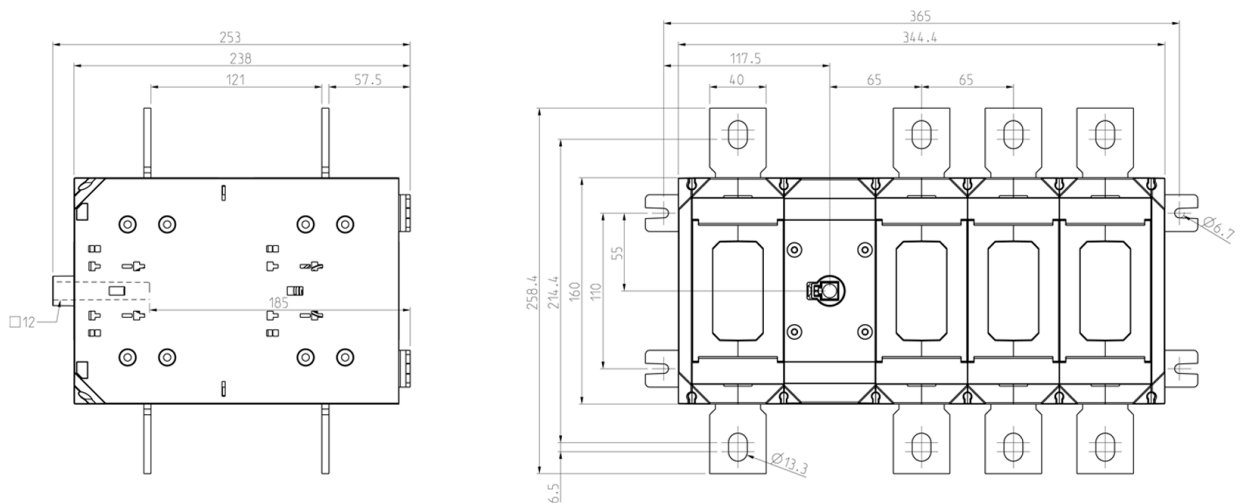


Dimensional Drawings, CHANGEOVER SWITCHES

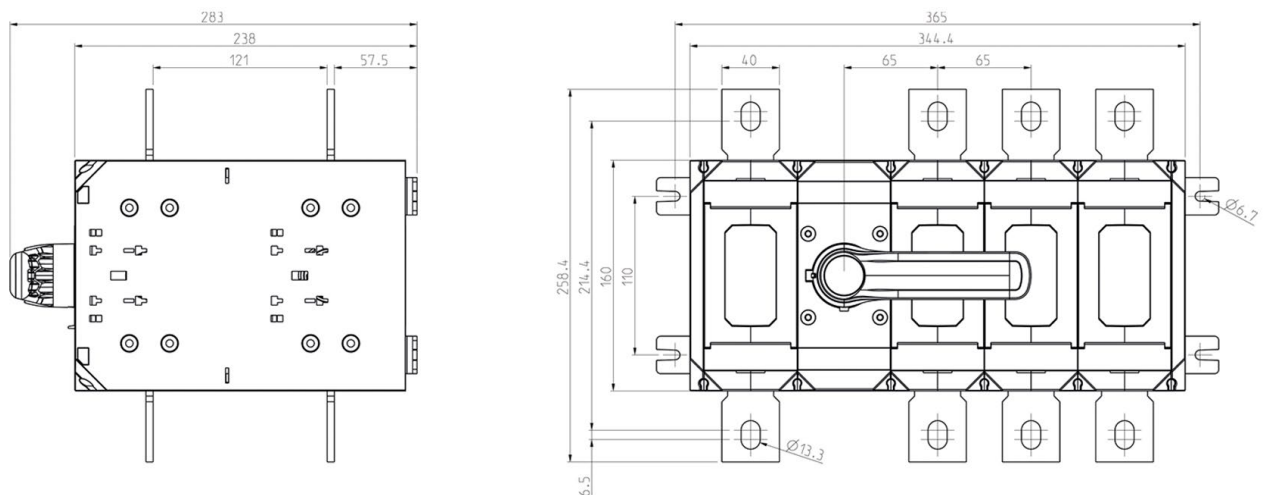
KU 630-800 A 3-POLE CHANGEOVER, DIRECT HANDLE



KU 630-800 A 4-POLE CHANGEOVER

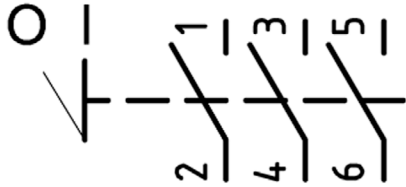


KU 630-800 A 4-POLE CHANGEOVER, DIRECT HANDLE

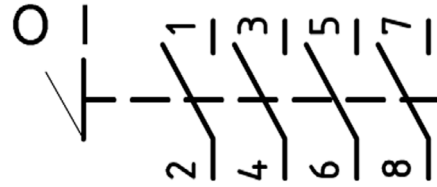


Dimensional Drawings, SWITCHING DIAGRAMS

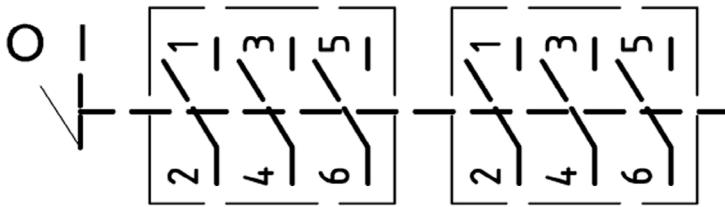
KU 3-POLE



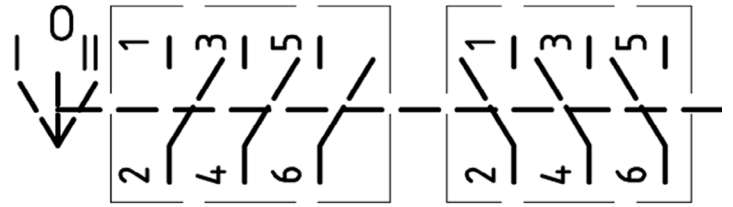
KU 4-POLE



KU 6-POLE

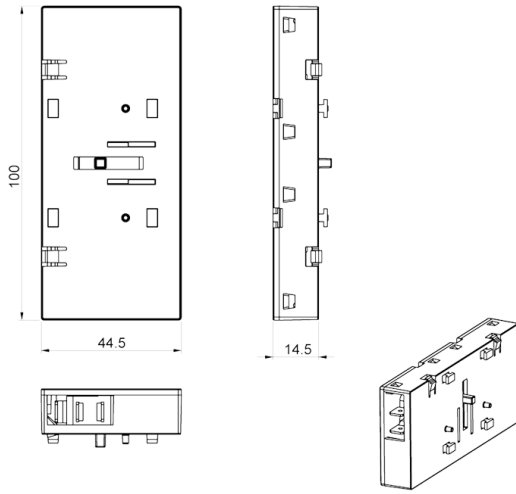


CHANGEOVER 3-POLE

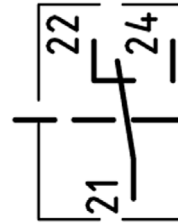


Dimensional Drawings, AUXILIARY CONTACTS & SWITCHING DIAGRAMS

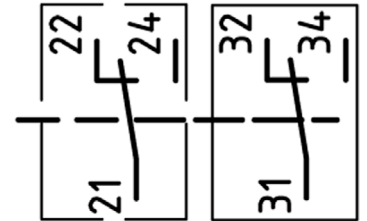
1V160KU & 2V160KU



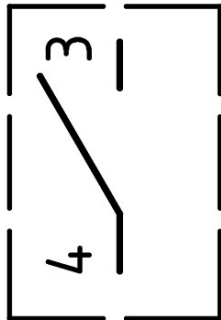
1V



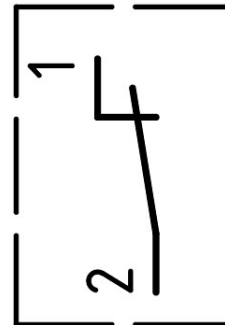
2V



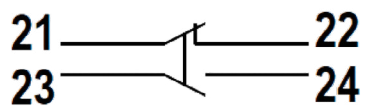
1NO



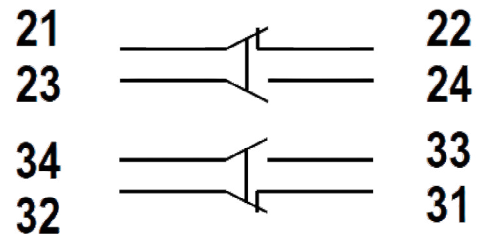
1NC



10C

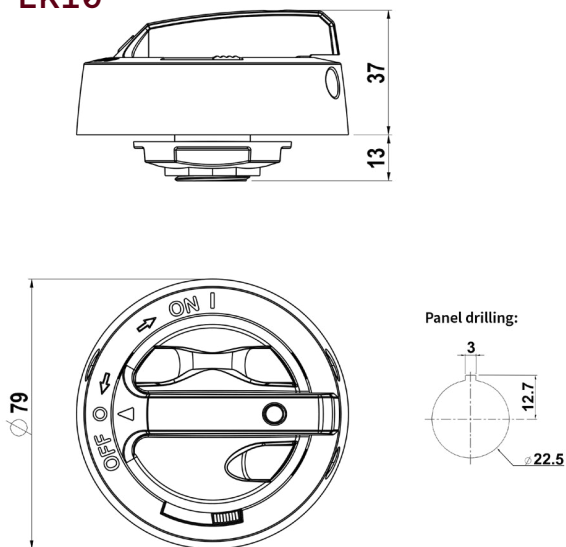


20C

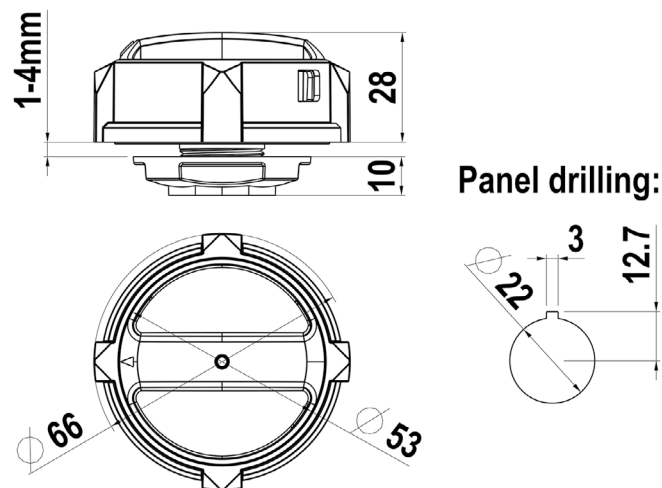


Dimensional Drawings, HANDLES

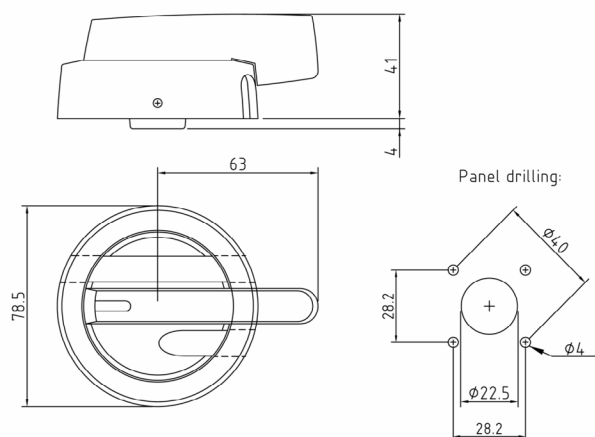
LK10



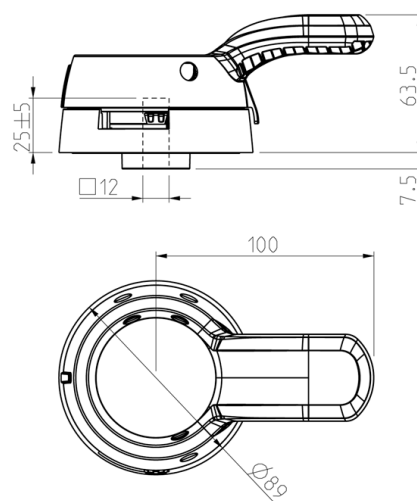
LKX50



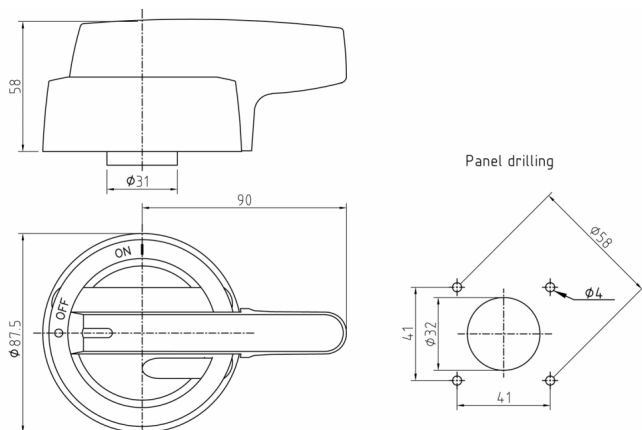
LK11



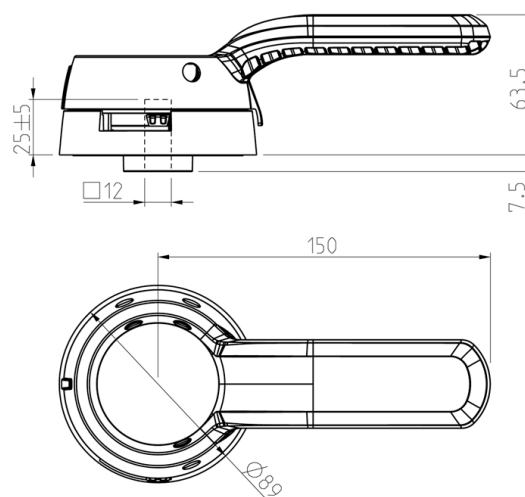
LKX100



LK12

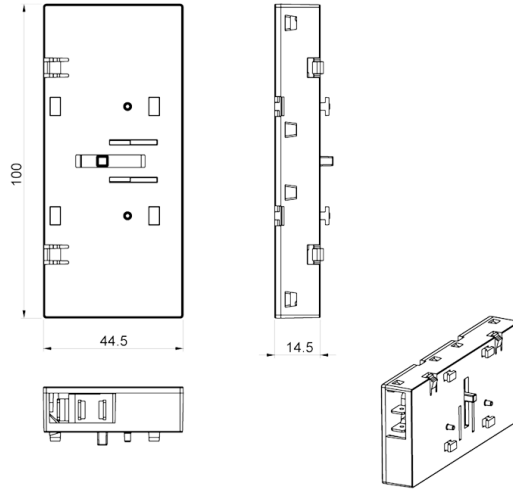


LKX150

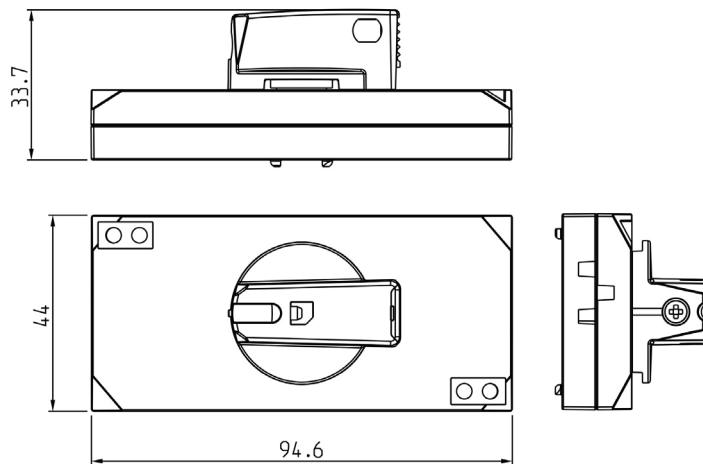


Dimensional Drawings, AUXILIARY CONTACTS, CHANGEOVER KITS & PARALLEL KITS

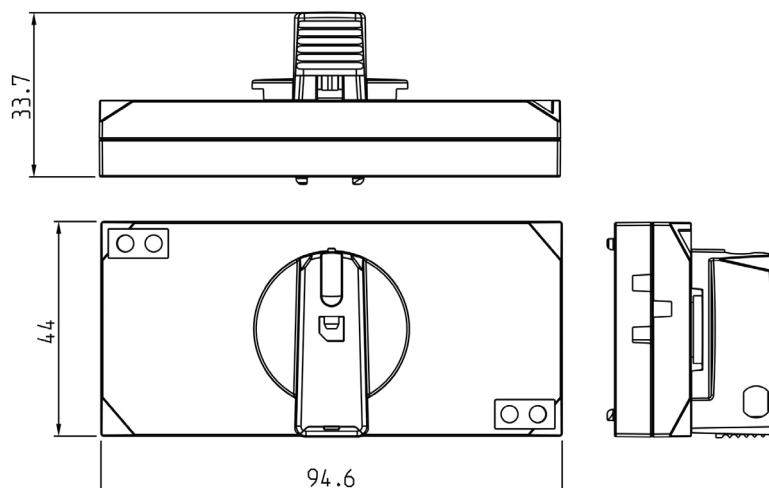
1V160KU & 2V160KU



PK40KU

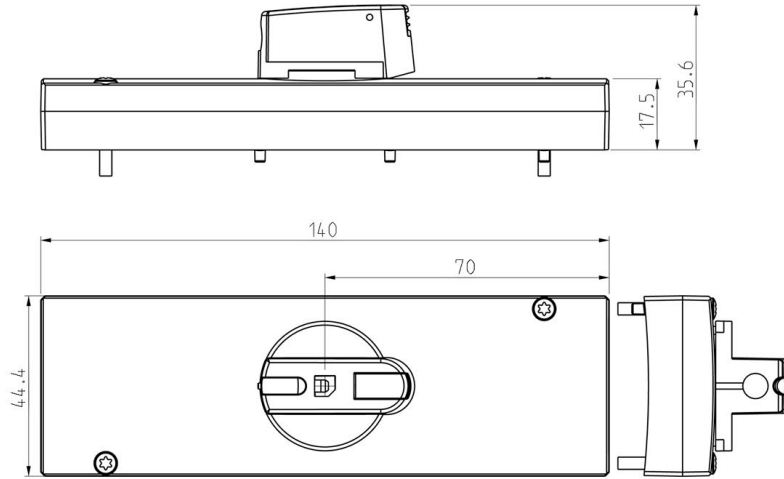


C040KU & CT40KU

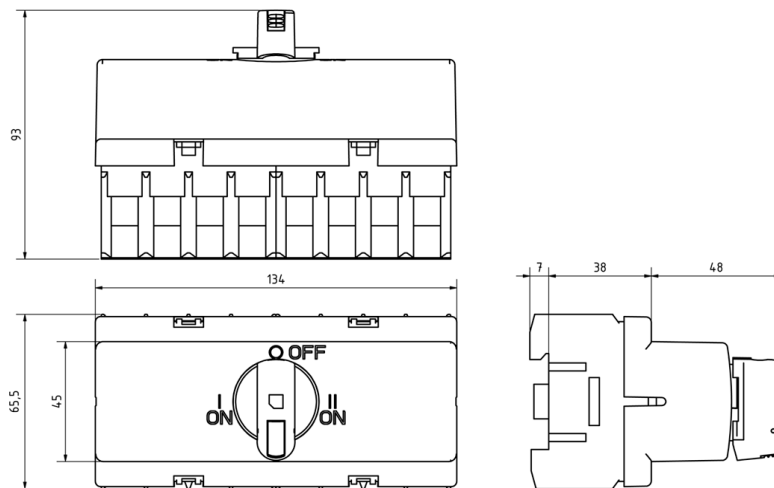


Dimensional Drawings, CHANGEOVER KITS & PARALLEL KITS

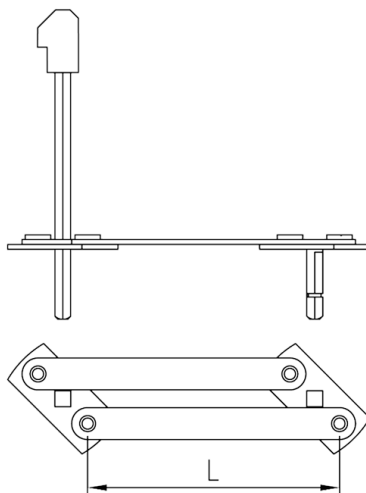
PK160KU & C0160KU



KUVV

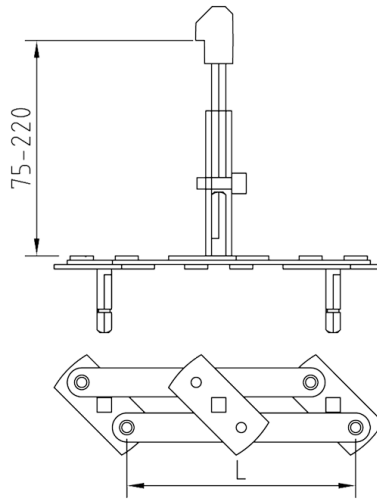


RV S

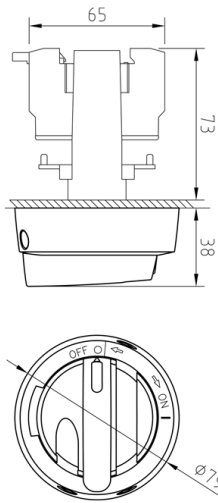


Dimensional Drawings, CHANGEOVER, PARALLEL & DOOR MOUNTING KITS

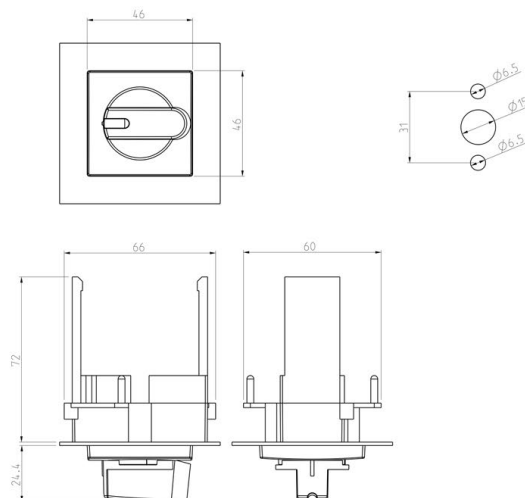
RV



OKA KU LK10

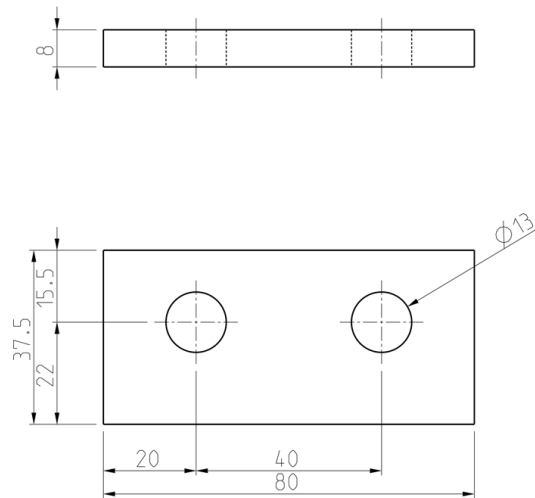


OKA KU LK6

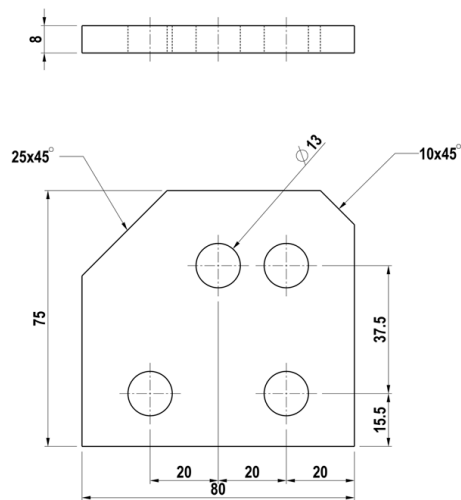


Dimensional Drawings, SPREADERS

ALK800C

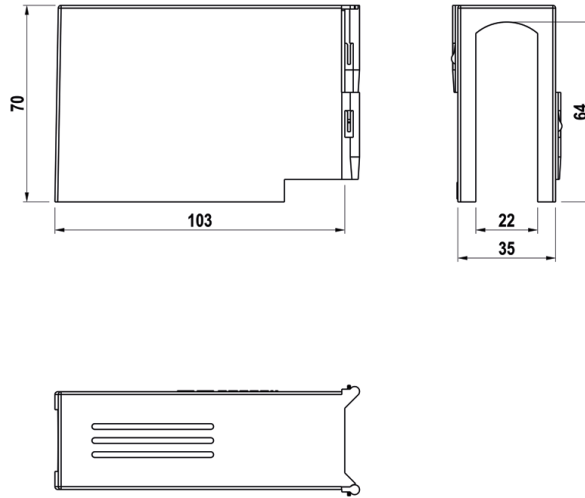


ALK800

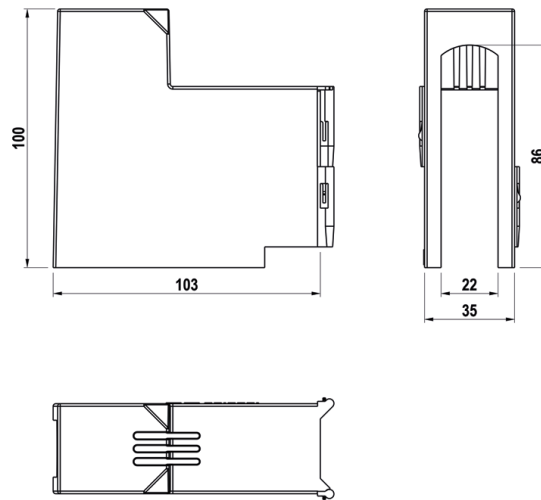


Dimensional Drawings, TERMINAL COVERS & PHASE BARRIERS

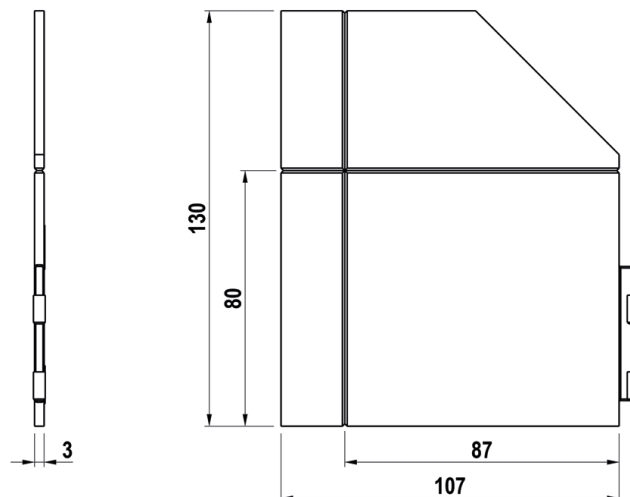
LS250F



LS250H

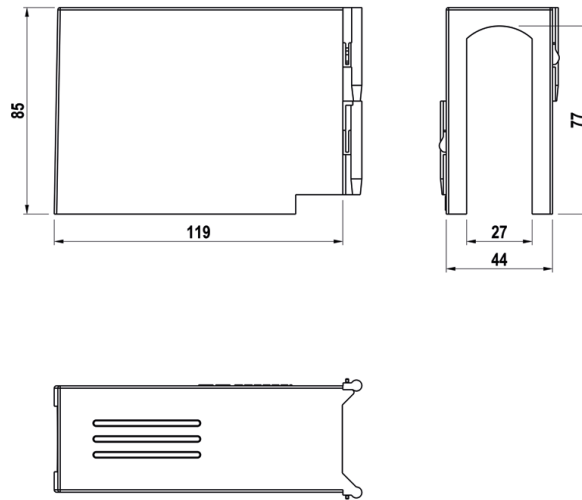


VS250

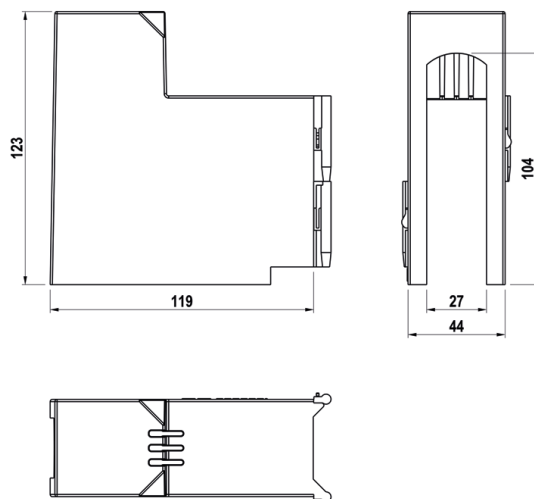


Dimensional Drawings, TERMINAL COVERS & PHASE BARRIERS

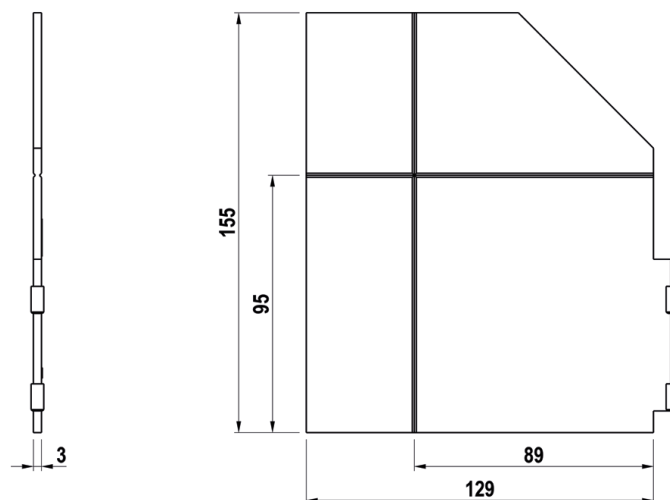
LS400F



LS400H

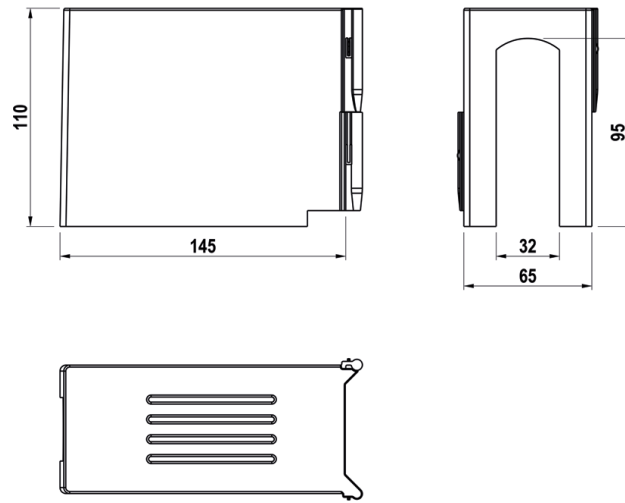


VS400

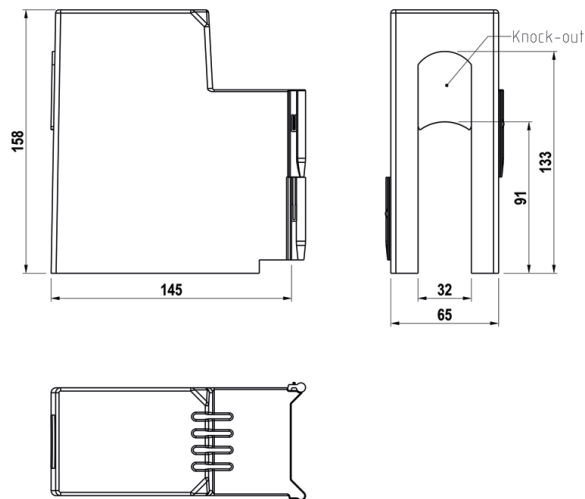


Dimensional Drawings, TERMINAL COVERS & PHASE BARRIERS

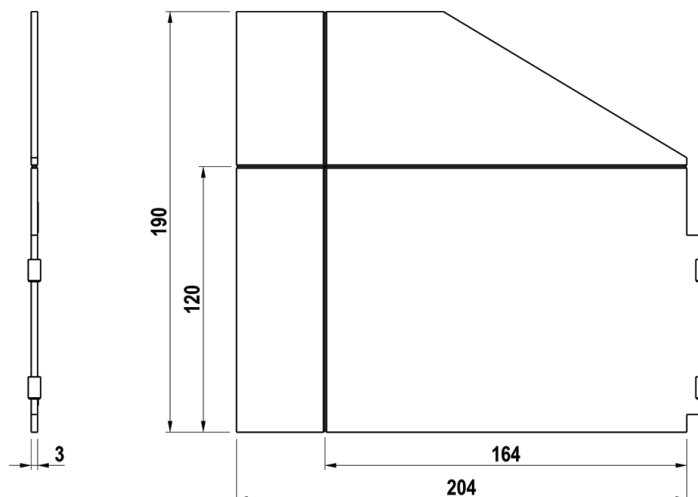
LS800F



LS800H



VS800



KATKO is a Finnish electrical industry company, specializing in designing, manufacturing, and delivering leading solutions for the electrical installation sector.

At KATKO, we are pioneering high-quality electrical switches and other installation products. At KATKO, we are driven by a strong commitment to sustainability and installer-friendly solutions and masters real-world applications through distinctly Finnish design principles: functionality without compromise, beauty in simplicity, built to endure. Supported by our extensive network of distribution partners and manufacturing facilities in Finland and Poland, we are able to ensure the availability of our solutions in over 70 countries around the globe.

Conditions of Sale

Please scan the QR code to read our Conditions of Sale.



Contact us

KATKO Oy
Ruosilantie 2
00390 Helsinki, Finland
Tel. +358 (0)9 849 600
customerservice@katko.com

KATKO Electrical Ltd
The Courtyard, 225 Denby Dale
Road, Wakefield, West Yorkshire
WF2 7AJ.
Tel. +447487712817
customerservice@katko.com

KATKO Oy (DMCC Branch)
Unit 903-06, Reef Tower, JLT,
Dubai, UAE
Tel. +971 4 4487405
customerservice@katko.com

KATKO AB
Katrinedalsgatan 13,
504 52 Borås
Tel. +46 730 39 39 40
customerservice@katko.com

KATKO Poland Sp. z o. o.
Piątki 87
13-100 Nidzica, Poland
Tel. +48 534 572 908
customerservice@katko.com