

# ISF 340NOUL A2

3x40A 400V 22kW

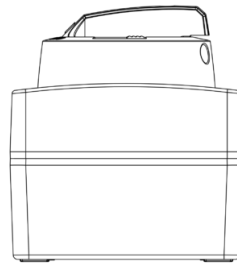


PRODUCT NUMBER	34443
GTIN	6419410344439
E-NUMBER FI	3662666
TECHNICAL NAME	3x40A 400V 22kW
ETIM CLASS	EC000216

## MEASUREMENTS

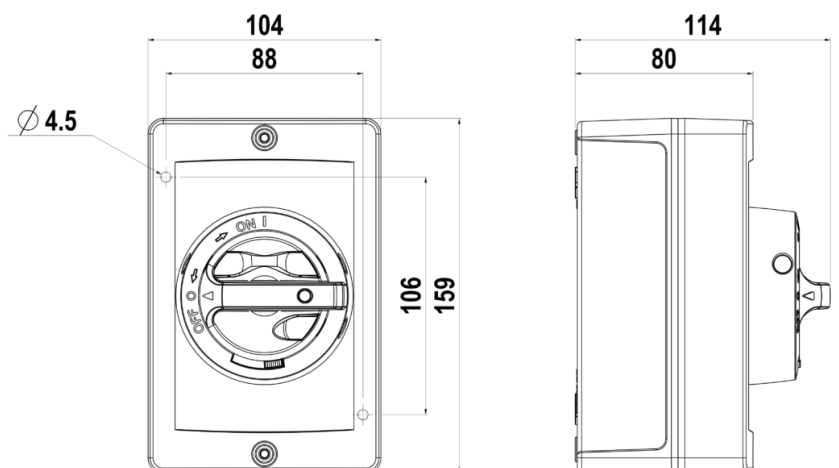
HEIGHT	158.5 mm
WIDTH	104 mm
DEPTH	80 mm
VOLUME	1.3187 l

## DIMENSIONAL DRAWING



## LOGISTICAL DATA

PACKAGE SIZE 1 DEPTH	80 mm
PACKAGE SIZE 1 HEIGHT	158.5 mm
PACKAGE SIZE 1 WIDTH	104 mm
PACKAGE SIZE 1 VOLUME	1.3187 l



## TECHNICAL DATA

NUMBER OF POLES	3
ENCLOSURE	A2 (104 x 159 x 80 mm)
ENCLOSURE TYPE	Aluminium
UL	UL 60947-4-1A
EMC	No
ATEX	No
IP RATING	IP66
AMPERE RATING (600V)	40
HP 208V	5
HP 480V	15
HP 600V	20
SWITCH TYPE DESCRIPTION	Manual motor controller
AUXILIARY CONTACT TYPE	1NO
WIRE SIZE (CU ONLY)	14-8 AWG