



ConnectSafe
KC2X35N

PRODUCT NUMBER	35754
GTIN	6419410357545
E-NUMBER FI	1942018
ETIM CLASS	EC000897

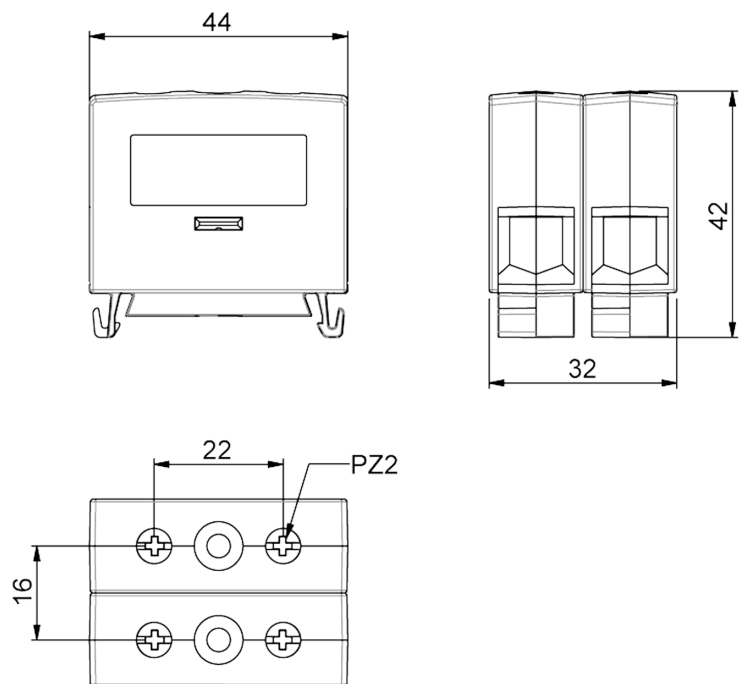
MEASUREMENTS

HEIGHT	44 mm
WIDTH	32 mm
DEPTH	42 mm
VOLUME	0.0591 l
NET WEIGHT	0.0673 kg

LOGISTICAL DATA

PACKAGE SIZE 1	42
PACKAGE SIZE 1	0.0673 kg
WEIGHT	

DIMENSIONAL DRAWING



TECHNICAL DATA

ATEX	No
TORQUE AL/CU (NM)	2,5
KEY SIZE	PZ2
IN (CU) (A)	270
CU MM ²	2,5-35
NOMINAL VOLTAGE	800V AC