

ISF 316UL RA2

3x16A 400V 7.5kW

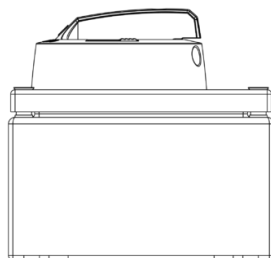


PRODUCT NUMBER	29435
GTIN	6419410294352
E-NUMBER FI	3662513
TECHNICAL NAME	3x16A 400V 7.5kW
ETIM CLASS	EC000216

MEASUREMENTS

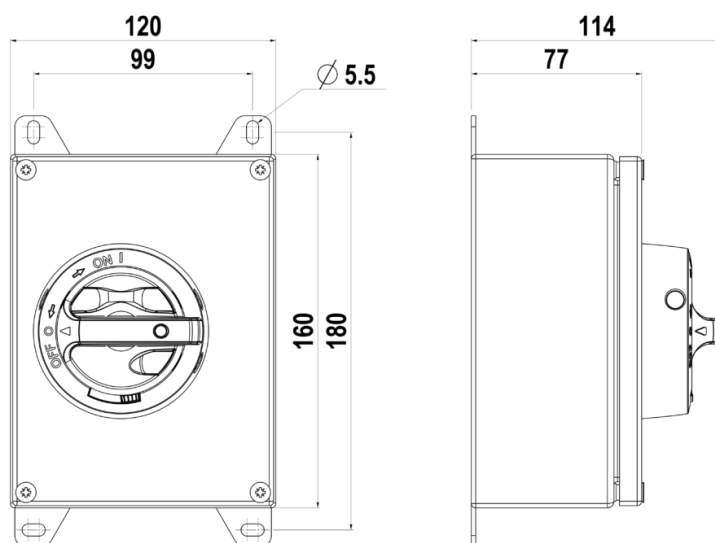
HEIGHT	160 mm
WIDTH	120 mm
DEPTH	77 mm
VOLUME	1.4784 l
NET WEIGHT	0.6474 kg

DIMENSIONAL DRAWING



LOGISTICAL DATA

PACKAGE SIZE 1 DEPTH	96 mm
PACKAGE SIZE 1 HEIGHT	190 mm
PACKAGE SIZE 1 WIDTH	144 mm
PACKAGE SIZE 1 WEIGHT	0.6474 kg
PACKAGE SIZE 1 VOLUME	2.6266 l



TECHNICAL DATA

NUMBER OF POLES	3
ENCLOSURE	RA2 (120 x 160 x 77 mm)
ENCLOSURE TYPE	Stainless steel enclosure (AISI 316L)
UL	UL 60947-4-1A
EMC	No
ATEX	No
IP RATING	IP66
AMPERE RATING (600V)	16
HP 208V	3
HP 480V	7.5
HP 600V	10
SWITCH TYPE DESCRIPTION	Manual motor controller
WIRE SIZE (CU ONLY)	14-8 AWG