



## ConnectSafe KL1X95

PRODUCT NUMBER	37831
GTIN	6419410378311
E-NUMBER FI	1942067
ETIM CLASS	EC000897

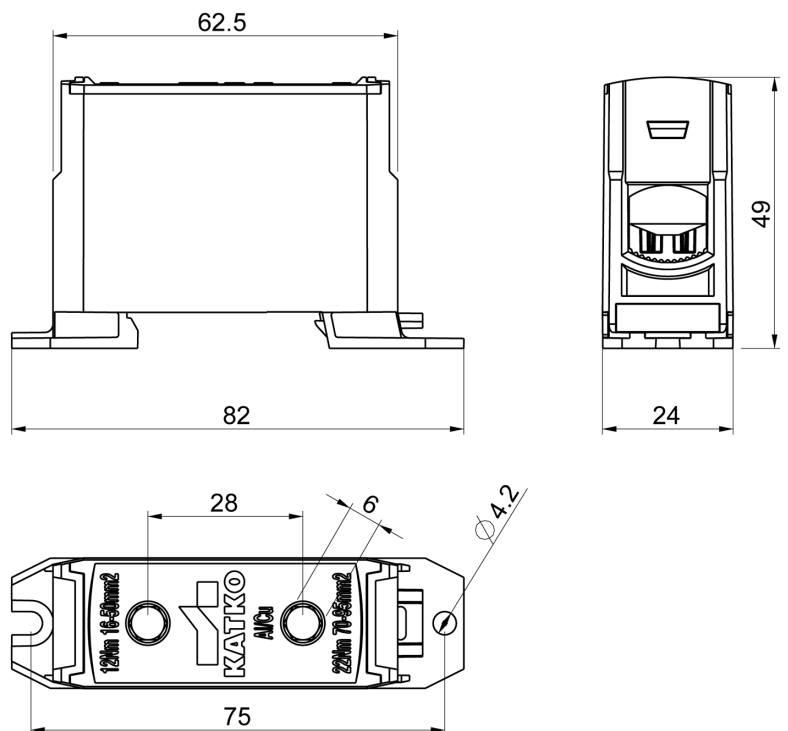
### MEASUREMENTS

HEIGHT	62.5 mm
WIDTH	24 mm
DEPTH	49 mm
VOLUME	0.0735 l
NET WEIGHT	0.1886 kg

### LOGISTICAL DATA

PACKAGE SIZE 1	22
PACKAGE SIZE 1 WEIGHT	0.1886 kg

### DIMENSIONAL DRAWING



## TECHNICAL DATA

UL	UL 1059, CAN/CSA C22.2 No. 158-10
ATEX	No
TORQUE AL/CU (NM)	12 (16 - 50 mm <sup>2</sup> ) / 22 (70 - 95 mm <sup>2</sup> )
KEY SIZE	Hex 6
IN (AL) (A)	200
IN (CU) (A)	245
AL MM <sup>2</sup>	6-95
CU MM <sup>2</sup>	6-95
NOMINAL VOLTAGE	1000V AC / 1500V DC
LINE/LOAD WIRE SIZE-STR CU/AL (KCMIL/AWG)	3/0 - 4
TORQUE AL/CU LB-IN	110 (1/0 - 4 AWG) / 200 (3/0 - 2/0 AWG)
AMPERE AL (A)	155
AMPERE CU (A)	200