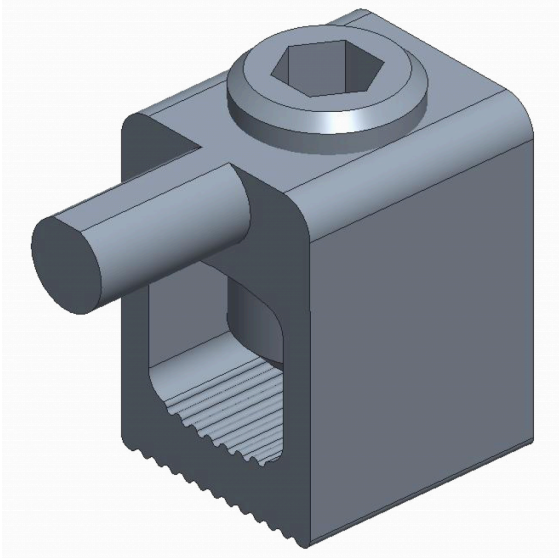


## ConnectSafe KKL1X50N



PRODUCT NUMBER	37867
GTIN	6419410378670
E-NUMBER FI	1942097
ETIM CLASS	EC000897

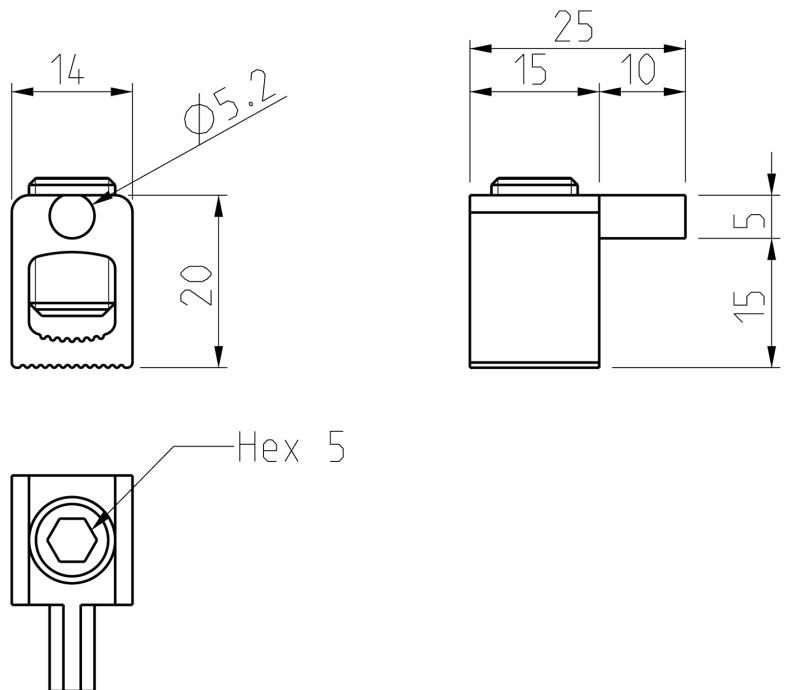
### MEASUREMENTS

HEIGHT	25 mm
WIDTH	14 mm
DEPTH	20 mm
VOLUME	0.007 l
NET WEIGHT	0.0321 kg

### LOGISTICAL DATA

PACKAGE SIZE 1	25
PACKAGE SIZE 1	0.0321 kg
WEIGHT	

### DIMENSIONAL DRAWING



## TECHNICAL DATA

ATEX	No
TORQUE AL/CU (NM)	5 (2,5-16mm <sup>2</sup> ) / 10 (25-50mm <sup>2</sup> )
KEY SIZE	Hex 5
IN (AL) (A)	125
IN (CU) (A)	125
AL MM <sup>2</sup>	16-50
CU MM <sup>2</sup>	2,5-50