



IsoSafe

ISF 430UL A2

4x25A 400V 11kW

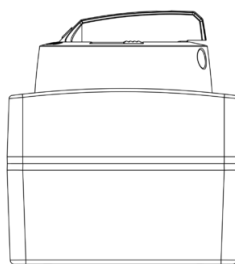


PRODUCT NUMBER	29452
GTIN	6419410294529
E-NUMBER FI	3662528
TECHNICAL NAME	4x25A 400V 11kW
ETIM CLASS	EC000216

MEASUREMENTS

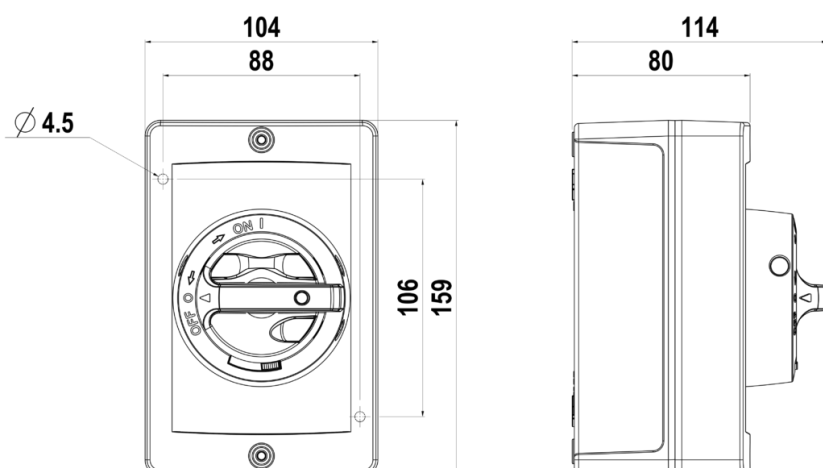
HEIGHT	158.5 mm
WIDTH	104 mm
DEPTH	80 mm
VOLUME	1.3187 l
NET WEIGHT	1.0022 kg

DIMENSIONAL DRAWING



LOGISTICAL DATA

PACKAGE SIZE 1 DEPTH	80 mm
PACKAGE SIZE 1 HEIGHT	158.5 mm
PACKAGE SIZE 1 WIDTH	104 mm
PACKAGE SIZE 1 WEIGHT	1.0022 kg
PACKAGE SIZE 1 VOLUME	1.3187 l



TECHNICAL DATA

NUMBER OF POLES	4
ENCLOSURE	A2 (104 x 159 x 80 mm)
ENCLOSURE TYPE	Aluminium
UL	UL 60947-4-1A
EMC	No
ATEX	No
IP RATING	IP66
AMPERE RATING (600V)	30
HP 208V	5
HP 480V	10
HP 600V	15
SWITCH TYPE DESCRIPTION	Manual motor controller
WIRE SIZE (CU ONLY)	14-8 AWG