

KET 180 T3

1x63A 400V 30kW

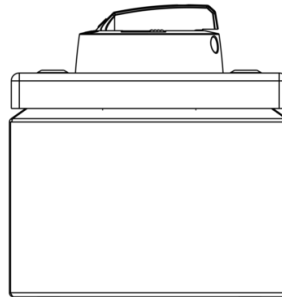


| | |
|----------------|-----------------|
| PRODUCT NUMBER | 35794 |
| GTIN | 6419410357941 |
| TECHNICAL NAME | 1x63A 400V 30kW |
| ETIM CLASS | EC000216 |

MEASUREMENTS

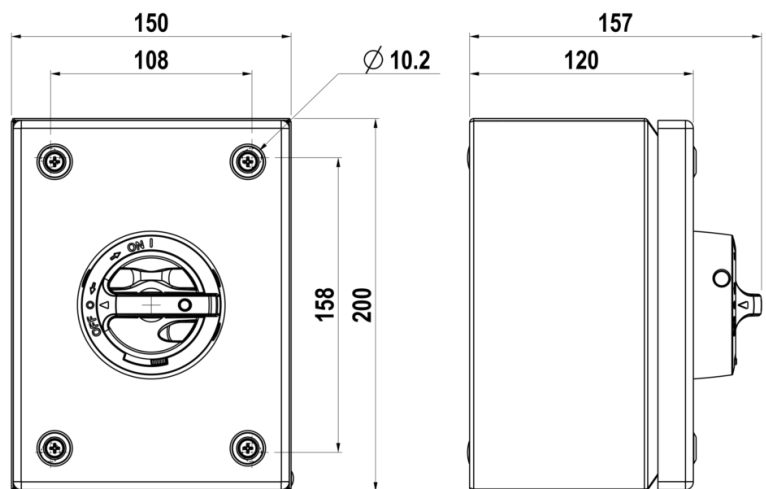
| | |
|------------|-----------|
| HEIGHT | 200 mm |
| WIDTH | 150 mm |
| DEPTH | 120 mm |
| VOLUME | 3.6 l |
| NET WEIGHT | 2.5592 kg |

DIMENSIONAL DRAWING



LOGISTICAL DATA

| | |
|----------------|-----------|
| SALES UNIT | 1 |
| PACKAGE SIZE 1 | 1 |
| PACKAGE SIZE 1 | 120 mm |
| DEPTH | |
| PACKAGE SIZE 1 | 200 mm |
| HEIGHT | |
| PACKAGE SIZE 1 | 150 mm |
| WIDTH | |
| PACKAGE SIZE 1 | 2.5592 kg |
| WEIGHT | |
| PACKAGE SIZE 1 | 3.6 l |
| VOLUME | |



TECHNICAL DATA

| | |
|--|-------------------------|
| NUMBER OF POLES | 1 |
| ENCLOSURE | T3 (150 x 200 x 120 mm) |
| ENCLOSURE TYPE | Painted sheet steel |
| EMC | No |
| ATEX | No |
| IP RATING | IP66 |
| RATED OPERATIONAL CURRENT AC-23A 415 V, IE (A) | 63 |
| RATED OPERATIONAL POWER, 1- PHASE 1500 RPM SQUIRREL-CAGE MOTOR AC-23A 240 V (KW) | 11 |
| RATED INSULATION VOLTAGE, UI (V) | 800 |
| SWITCH TYPE DESCRIPTION | Isolating switch |
| NOMINAL VALUES WITH CABLE SIZE (MM ²) | 35 |
| RATED THERMAL CURRENT, ITH (A) | 100 |
| RATED THERMAL CURRENT (ENCLOSED), ITHE (A) | 100 |
| RATED OPERATIONAL CURRENT AC-21A 415 V, IE (A) | 100 |
| RATED OPERATIONAL CURRENT AC-22A 415 V, IE (A) | 80 |
| RATED OPERATIONAL CURRENT AC-23A 240 V, IE (A) | 63 |
| RATED FUSED SHORT-CIRCUIT CURRENT, BACK-UP FUSE OPTION 1 (A) | 80 |
| RATED FUSED SHORT-CIRCUIT CURRENT, R.M.S. IQ OPTION 1 (KA) | 50 |
| RATED FUSED SHORT-CIRCUIT CURRENT, PEAK VALUE (KA) | 8.2 |
| RATED IMPULSE WITHSTAND VOLTAGE, UIMP (KV) | 8 |

| | |
|--|-------------------|
| RATED SHORT-CIRCUIT MAKING CAPACITY, ICM 690 V (KA) | 2.5 |
| RATED SHORT-TIME WITHSTAND CURRENT 1 S, ICW 690 V (KA) | 2 |
| RATED BREAKING CAPACITY, AC-23A 415 V (A) | 504 |
| ELECTRICAL ENDURANCE (NUMBER OF OPERATIONS) | 3000 |
| MECHANICAL ENDURANCE (NUMBER OF OPERATIONS) | 50000 |
| TERMINAL / BOLT SIZE CU (MM ²) | 2.5..35 |
| MAXIMUM TERMINAL TORQUE (NM) | 2.5 |
| SWITCH TYPE | Load Break Switch |