



 IsoSafe

KEM 4200 MF03

4x200A 400V 110kW

| | |
|----------------|-------------------|
| PRODUCT NUMBER | 32390 |
| GTIN | 6419410323908 |
| TECHNICAL NAME | 4x200A 400V 110kW |
| ETIM CLASS | EC000216 |

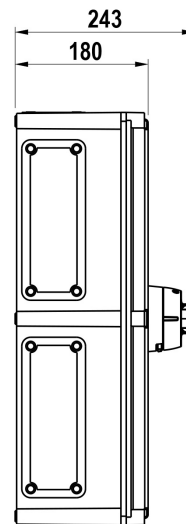
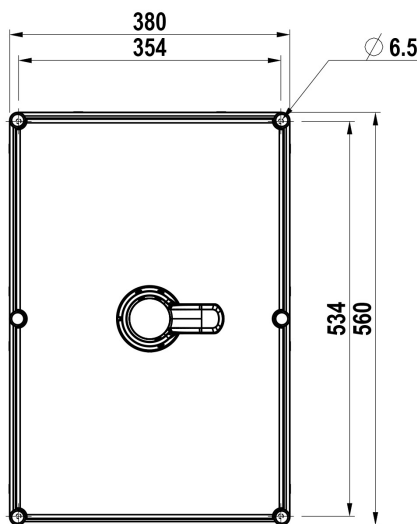
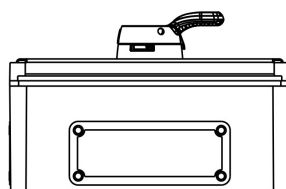
MEASUREMENTS

| | |
|------------|-----------|
| HEIGHT | 560 mm |
| WIDTH | 380 mm |
| DEPTH | 180 mm |
| VOLUME | 38.304 l |
| NET WEIGHT | 9.4445 kg |

LOGISTICAL DATA

| | |
|-----------------------|-----------|
| SALES UNIT | 1 |
| PACKAGE SIZE 1 | 1 |
| PACKAGE SIZE 1 DEPTH | 180 mm |
| PACKAGE SIZE 1 HEIGHT | 560 mm |
| PACKAGE SIZE 1 WIDTH | 380 mm |
| PACKAGE SIZE 1 WEIGHT | 9.4445 kg |
| PACKAGE SIZE 1 VOLUME | 38.304 l |

DIMENSIONAL DRAWING



TECHNICAL DATA

| | |
|--|---------------------------|
| NUMBER OF POLES | 4 |
| ENCLOSURE | MF03 (380 x 560 x 180 mm) |
| ENCLOSURE TYPE | Polycarbonate |
| EMC | No |
| ATEX | No |
| IP RATING | IP66 |
| RATED OPERATIONAL CURRENT AC-23A 415 V, IE (A) | 200 |
| RATED OPERATIONAL CURRENT AC-23A 690 V, IE (A) | 200 |
| RATED OPERATIONAL POWER, 3- PHASE 1500 RPM SQUIRREL-CAGE MOTOR AC-23A 690 V (KW) | 160 |
| RATED INSULATION VOLTAGE, UI (V) | 1000 |
| SWITCH TYPE DESCRIPTION | Isolating switch |
| NOMINAL VALUES WITH CABLE SIZE (MM ²) | 95 |
| RATED THERMAL CURRENT, ITH (A) | 250 |
| RATED THERMAL CURRENT (ENCLOSED), ITHE (A) | 250 |
| RATED OPERATIONAL CURRENT AC-21A 415 V, IE (A) | 200 |
| RATED OPERATIONAL CURRENT AC-21A 500 V, IE (A) | 200 |
| RATED OPERATIONAL CURRENT AC-21A 690 V, IE (A) | 200 |
| RATED OPERATIONAL CURRENT AC-22A 415 V, IE (A) | 200 |
| RATED OPERATIONAL CURRENT AC-22A 500 V, IE (A) | 200 |
| RATED OPERATIONAL CURRENT AC-22A 690 V, IE (A) | 200 |

| | |
|--|--------|
| RATED OPERATIONAL CURRENT AC-23A 500 V, IE (A) | 200 |
| RATED OPERATIONAL POWER, 3- PHASE 1500 RPM SQUIRREL-CAGE MOTOR AC-23A 415 V (KW) | 110 |
| RATED OPERATIONAL POWER, 3- PHASE 1500 RPM SQUIRREL-CAGE MOTOR AC-23A 500 V (KW) | 132 |
| RATED FUSED SHORT-CIRCUIT CURRENT, BACK-UP FUSE OPTION 1 (A) | 250 |
| RATED FUSED SHORT-CIRCUIT CURRENT, R.M.S. IQ OPTION 1 (KA) | 100 |
| RATED FUSED SHORT-CIRCUIT CURRENT, BACK-UP FUSE OPTION 2 (A) | 315 |
| RATED FUSED SHORT-CIRCUIT CURRENT, R.M.S. IQ OPTION 2 (KA) | 50 |
| RATED FUSED SHORT-CIRCUIT CURRENT, PEAK VALUE (KA) | 26 |
| RATED IMPULSE WITHSTAND VOLTAGE, UIMP (KV) | 12 |
| RATED SHORT-CIRCUIT MAKING CAPACITY, ICM 690 V (KA) | 14 |
| RATED SHORT-TIME WITHSTAND CURRENT 1 S, ICW 1000 V (KA) | 8 |
| RATED BREAKING CAPACITY, AC- 23A 415 V (A) | 1600 |
| RATED BREAKING CAPACITY, AC- 23A 500 V (A) | 1600 |
| RATED BREAKING CAPACITY, AC- 23A 690 V (A) | 1600 |
| ELECTRICAL ENDURANCE (NUMBER OF OPERATIONS) | 2000 |
| MECHANICAL ENDURANCE (NUMBER OF OPERATIONS) | 16000 |
| TERMINAL / BOLT SIZE CU (MM ²) | M8 |
| MAXIMUM TERMINAL TORQUE (NM) | 15..22 |

SWITCH TYPE

Load Break Switch