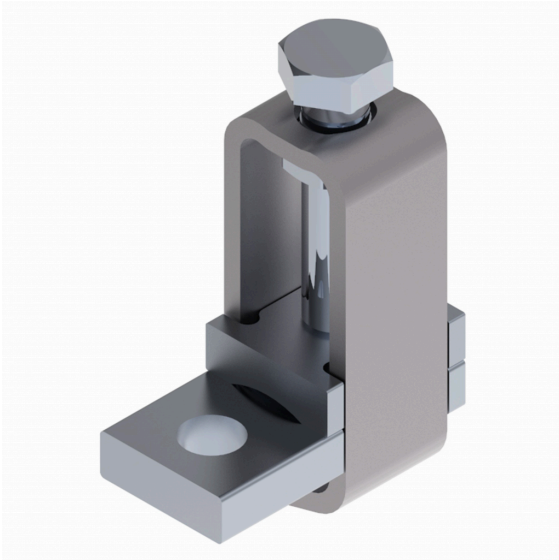




# ConnectSafe

## KLH2X240

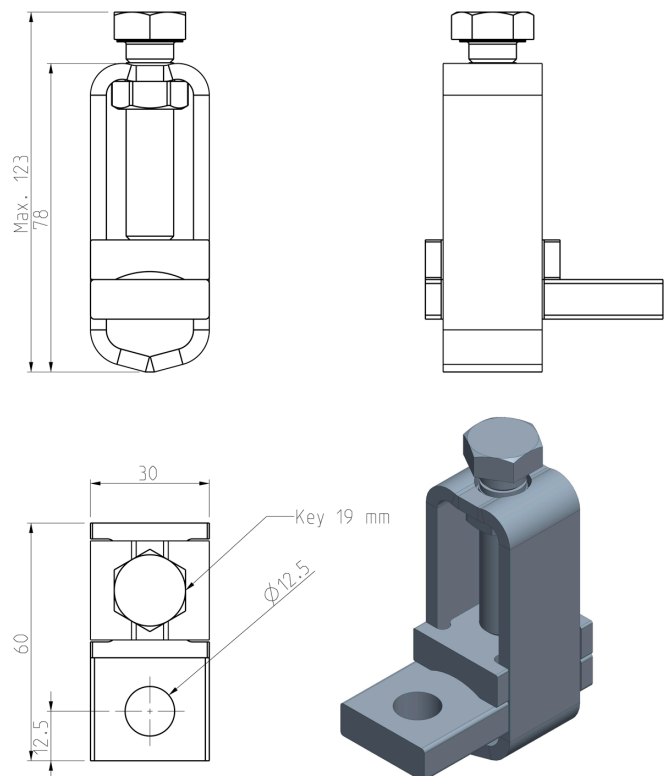


PRODUCT NUMBER	35859
GTIN	6419410358597
E-NUMBER FI	1942118
ETIM CLASS	EC000897

### MEASUREMENTS

HEIGHT	60 mm
WIDTH	30 mm
DEPTH	78 mm
VOLUME	0.1404 l
NET WEIGHT	0.4795 kg

### DIMENSIONAL DRAWING



### LOGISTICAL DATA

PACKAGE SIZE 1	3
PACKAGE SIZE 1 WEIGHT	0.4795 kg

## TECHNICAL DATA

UL	UL 486A-486B
ATEX	No
TORQUE AL/CU (NM)	75
KEY SIZE	Hex 19
AL MM <sup>2</sup>	2 x 95-240
CU MM <sup>2</sup>	2 x 95-240
LINE/LOAD WIRE SIZE-STR CU/AL (KCMIL/AWG)	2 x 500 - 3/0
TORQUE AL/CU LB-IN	660