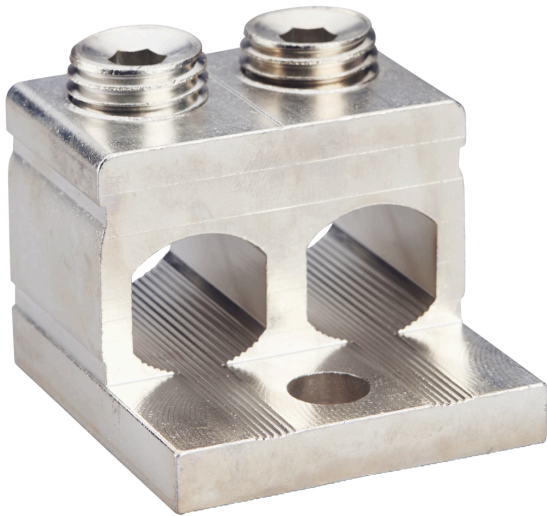



ConnectSafe
KKL2X240


PRODUCT NUMBER	37864
GTIN	6419410378649
E-NUMBER FI	1942094
ETIM CLASS	EC000897

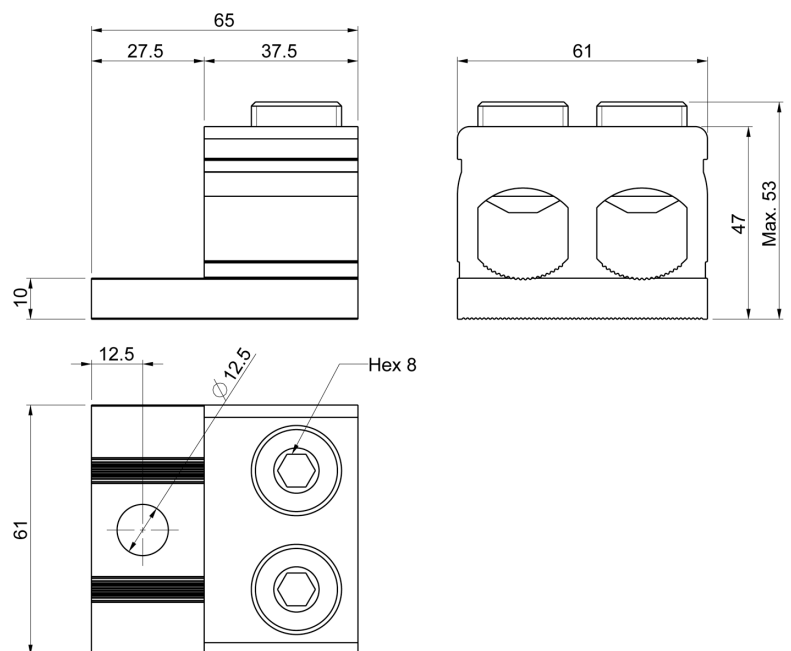
MEASUREMENTS

HEIGHT	65 mm
WIDTH	61 mm
DEPTH	47 mm
VOLUME	0.1864 l
NET WEIGHT	0.4861 kg

LOGISTICAL DATA

PACKAGE SIZE 1	16
PACKAGE SIZE 1	0.4861 kg
WEIGHT	

DIMENSIONAL DRAWING



TECHNICAL DATA

ATEX	No
TORQUE AL/CU (NM)	25 (35-120 mm ²) / 55 (150-240 mm ²)
KEY SIZE	Hex 8
IN (AL) (A)	630
IN (CU) (A)	850
AL MM ²	35-240
CU MM ²	35-240