



 IsoSafe

ISF 340NOUL M3

3x40A 400V 22kW

| | |
|----------------|-----------------|
| PRODUCT NUMBER | 34475 |
| GTIN | 6419410344750 |
| E-NUMBER FI | 3662660 |
| TECHNICAL NAME | 3x40A 400V 22kW |
| ETIM CLASS | EC000216 |

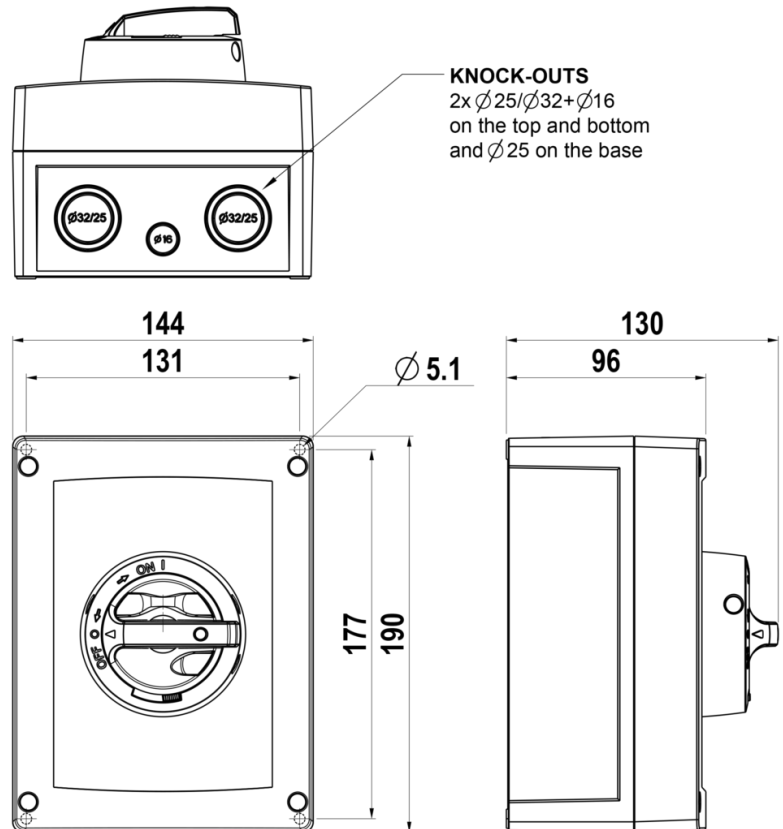
MEASUREMENTS

| | |
|------------|-----------|
| HEIGHT | 190 mm |
| WIDTH | 144 mm |
| DEPTH | 96 mm |
| VOLUME | 2.6266 l |
| NET WEIGHT | 0.8202 kg |

LOGISTICAL DATA

| | |
|-----------------------|-----------|
| PACKAGE SIZE 1 DEPTH | 96 mm |
| PACKAGE SIZE 1 HEIGHT | 190 mm |
| PACKAGE SIZE 1 WIDTH | 144 mm |
| PACKAGE SIZE 1 WEIGHT | 0.8202 kg |
| PACKAGE SIZE 1 VOLUME | 2.6266 l |

DIMENSIONAL DRAWING



TECHNICAL DATA

| | |
|-------------------------|-------------------------|
| NUMBER OF POLES | 3 |
| ENCLOSURE | M3 (144 x 190 x 96 mm) |
| ENCLOSURE TYPE | Polycarbonate |
| UL | UL 60947-4-1A |
| EMC | No |
| ATEX | No |
| IP RATING | IP66 |
| AMPERE RATING (600V) | 40 |
| HP 208V | 5 |
| HP 480V | 15 |
| HP 600V | 20 |
| SWITCH TYPE DESCRIPTION | Manual motor controller |
| AUXILIARY CONTACT TYPE | 1NO |
| WIRE SIZE (CU ONLY) | 14-8 AWG |