



ConnectSafe KL2X300P



PRODUCT NUMBER	33828
GTIN	6419410338285
E-NUMBER FI	1942167
ETIM CLASS	EC000897

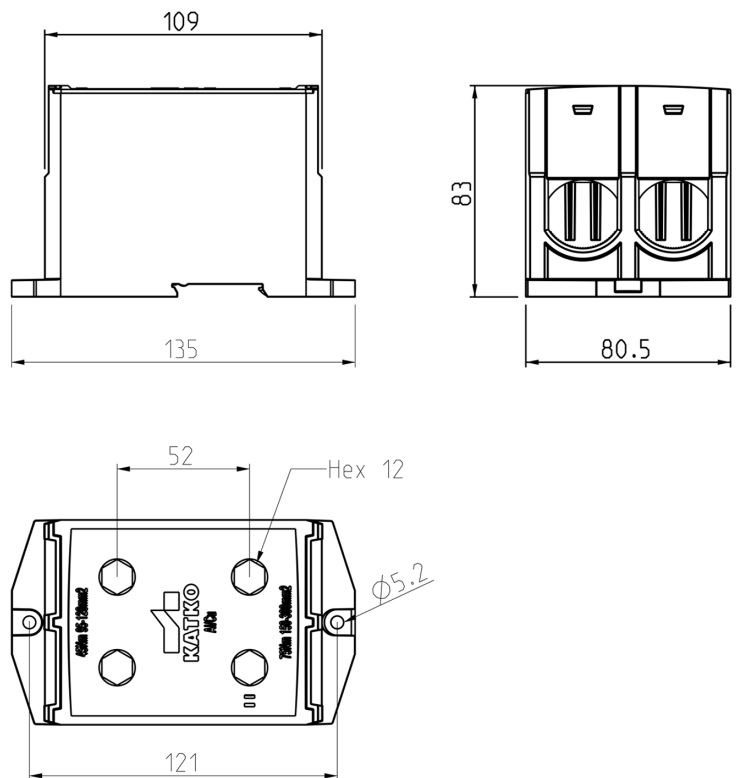
MEASUREMENTS

HEIGHT	109 mm
WIDTH	80.5 mm
DEPTH	83 mm
VOLUME	0.7283 l

LOGISTICAL DATA

PACKAGE SIZE 1	6
----------------	---

DIMENSIONAL DRAWING



TECHNICAL DATA

ATEX	No
TORQUE AL/CU (NM)	45 (95-120 mm ²) / 75 (150-300 mm ²)
KEY SIZE	Hex 12
IN (AL) (A)	800
IN (CU) (A)	1040
AL MM ²	95-300
CU MM ²	95-300
NOMINAL VOLTAGE	1000V AC / 1500V DC