


 IsoSafe

ISF 330UL M2

3x25A 400V 11kW

PRODUCT NUMBER	29475
GTIN	6419410294758
E-NUMBER FI	3662549
TECHNICAL NAME	3x25A 400V 11kW
ETIM CLASS	EC000216

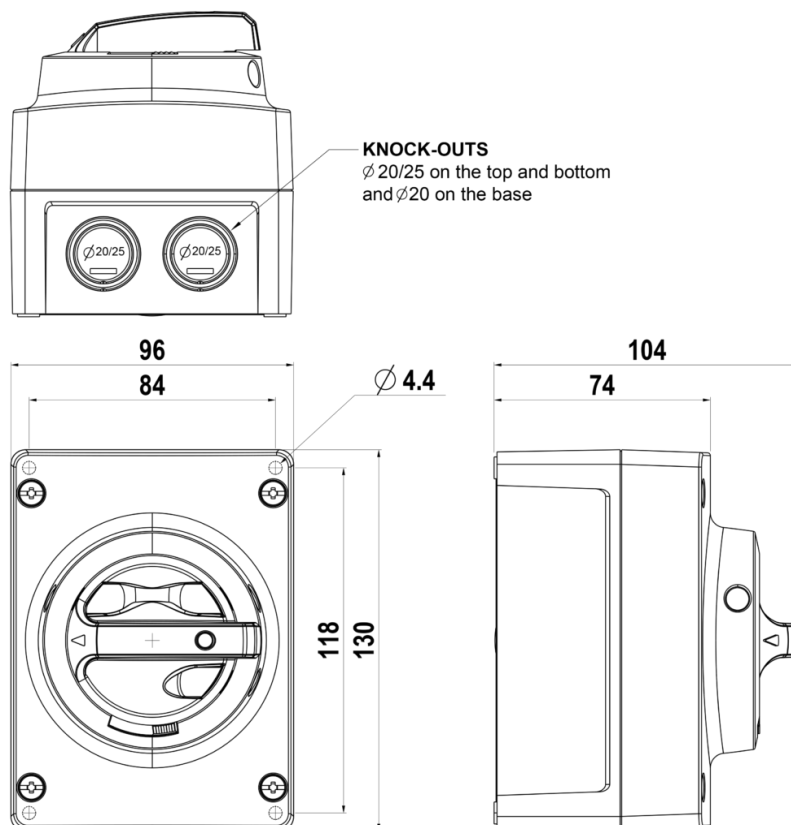
MEASUREMENTS

HEIGHT	130 mm
WIDTH	96 mm
DEPTH	104 mm
VOLUME	1.2979 l
NET WEIGHT	0.4305 kg

LOGISTICAL DATA

PACKAGE SIZE 1	79.5 mm
DEPTH	
PACKAGE SIZE 1	157 mm
HEIGHT	
PACKAGE SIZE 1	102.5 mm
WIDTH	
PACKAGE SIZE 1	0.4305 kg
WEIGHT	
PACKAGE SIZE 1	1.2794 l
VOLUME	

DIMENSIONAL DRAWING



TECHNICAL DATA

NUMBER OF POLES	3
ENCLOSURE	M2 (96 x 130 x 74 mm)
ENCLOSURE TYPE	Polycarbonate
UL	UL 60947-4-1A
EMC	No
ATEX	No
IP RATING	IP66
AMPERE RATING (600V)	30
HP 208V	5
HP 480V	10
HP 600V	15
SWITCH TYPE DESCRIPTION	Manual motor controller
WIRE SIZE (CU ONLY)	14-8 AWG