

 **ConnectSafe**  
**KKL1X120RS**

1x16-120mm<sup>2</sup> Al/Cu

PRODUCT NUMBER	37868
GTIN	6419410378687
E-NUMBER FI	1942098
TECHNICAL NAME	1x16-120mm <sup>2</sup> Al/Cu
ETIM CLASS	EC001284

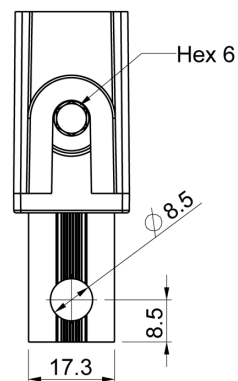
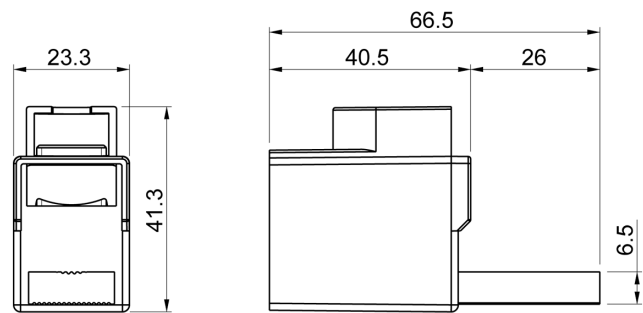
### MEASUREMENTS

HEIGHT	42 mm
WIDTH	24 mm
DEPTH	57 mm
VOLUME	0.0575 l
NET WEIGHT	0.1027 kg

### LOGISTICAL DATA

PACKAGE SIZE 1	20
PACKAGE SIZE 1 WEIGHT	0.1027 kg

### DIMENSIONAL DRAWING



## TECHNICAL DATA

ATEX	No
TORQUE AL/CU (NM)	12 (16-50 mm <sup>2</sup> ) / 22 (70-120 mm <sup>2</sup> )
KEY SIZE	Hex 6
IN (AL) (A)	200
IN (CU) (A)	245
AL MM <sup>2</sup>	16-120
CU MM <sup>2</sup>	16-120