

 **ConnectSafe**
KC2X16

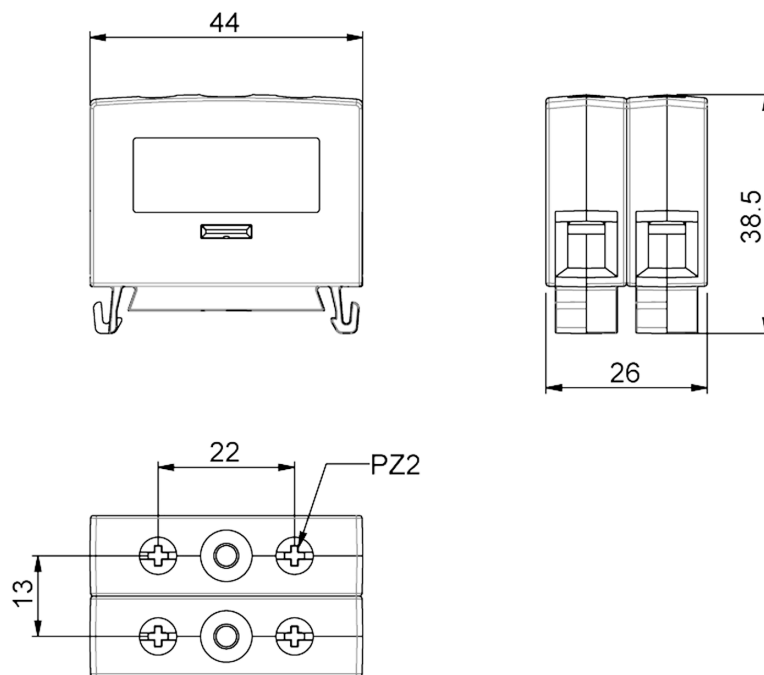
PRODUCT NUMBER	35750
GTIN	6419410357507
E-NUMBER FI	1942011
ETIM CLASS	EC000897

MEASUREMENTS

HEIGHT	44 mm
WIDTH	26 mm
DEPTH	38.5 mm
VOLUME	0.044 l
NET WEIGHT	0.0586 kg

LOGISTICAL DATA

PACKAGE SIZE 1	50
PACKAGE SIZE 1	0.0586 kg
WEIGHT	

DIMENSIONAL DRAWING

TECHNICAL DATA

ATEX	No
TORQUE AL/CU (NM)	1,8
KEY SIZE	PZ2
IN (CU) (A)	125
CU MM ²	1,5-16
NOMINAL VOLTAGE	800V AC