

ConnectSafe KL1X16N



PRODUCT NUMBER	48437
GTIN	6419410484371
E-NUMBER FI	1942121
ETIM CLASS	EC000897

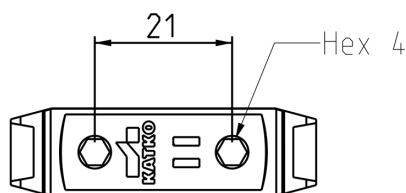
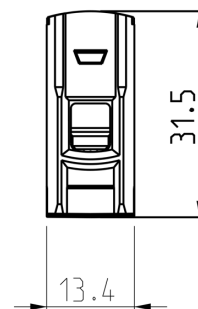
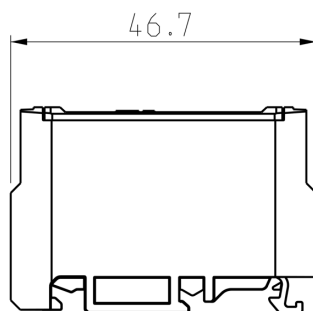
MEASUREMENTS

HEIGHT	46.7 mm
WIDTH	13.4 mm
DEPTH	31.5 mm
VOLUME	0.0197 l
NET WEIGHT	0.02 kg

LOGISTICAL DATA

PACKAGE SIZE 1	60
PACKAGE SIZE 1 WEIGHT	0.02 kg

DIMENSIONAL DRAWING



TECHNICAL DATA

ATEX	No
TORQUE AL/CU (NM)	5
KEY SIZE	Hex 4
IN (AL) (A)	75
IN (CU) (A)	76
AL MM ²	1,5-16
CU MM ²	1,5-16
NOMINAL VOLTAGE	1000V AC