




## ConnectSafe

# KL2X150PE

PRODUCT NUMBER	37842
GTIN	6419410378427
E-NUMBER FI	1942060
ETIM CLASS	EC000897

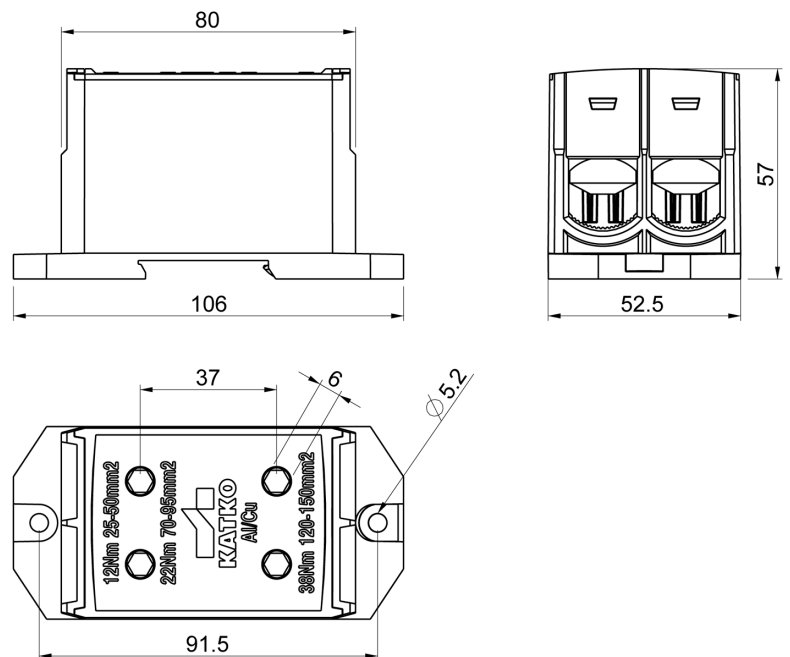
## MEASUREMENTS

HEIGHT	80 mm
WIDTH	52 mm
DEPTH	57 mm
VOLUME	0.2371 l
NET WEIGHT	0.3725 kg

## LOGISTICAL DATA

PACKAGE SIZE 1	10
PACKAGE SIZE 1 WEIGHT	0.3725 kg

## DIMENSIONAL DRAWING



## TECHNICAL DATA

ATEX	No
TORQUE AL/CU (NM)	12 (25 - 50 mm <sup>2</sup> ) / 22 (70 - 95 mm <sup>2</sup> ) / 38 (120 - 150 mm <sup>2</sup> )
KEY SIZE	Hex 6
IN (AL) (A)	500
IN (CU) (A)	640
AL MM <sup>2</sup>	25-150
CU MM <sup>2</sup>	25-150
NOMINAL VOLTAGE	1000V AC / 1500V DC