



 ConnectSafe

**KKL1X120T2**

1x16-120mm<sup>2</sup> Al/Cu

PRODUCT NUMBER	37853
GTIN	6419410378533
E-NUMBER FI	1942083
TECHNICAL NAME	1x16-120mm <sup>2</sup> Al/Cu
ETIM CLASS	EC001284

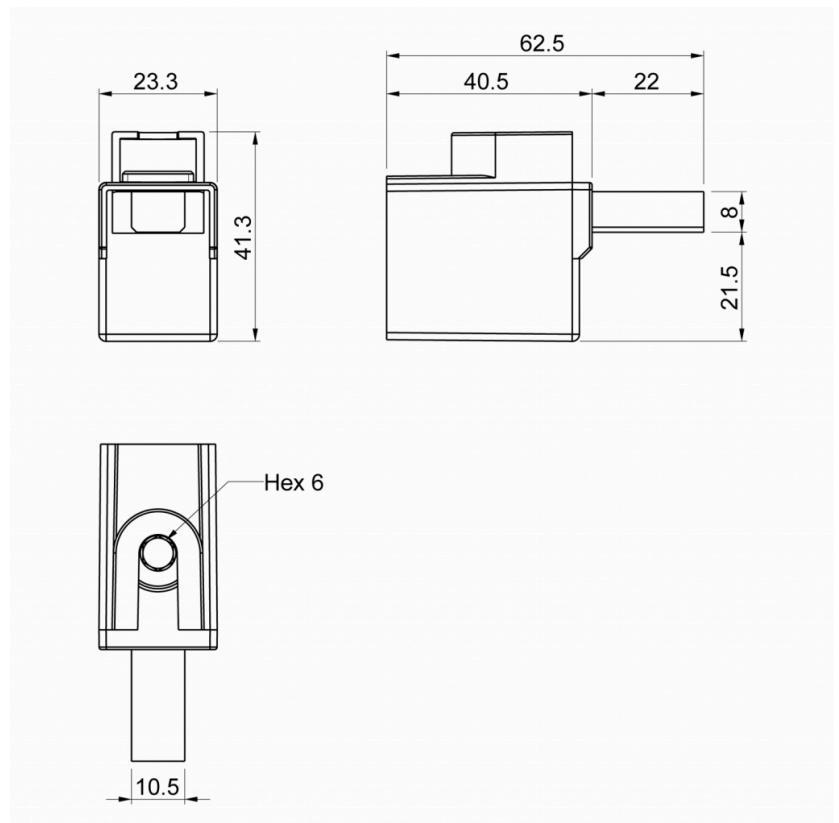
## MEASUREMENTS

HEIGHT	42 mm
WIDTH	24 mm
DEPTH	57 mm
VOLUME	0.0575 l
NET WEIGHT	0.1036 kg

## LOGISTICAL DATA

PACKAGE SIZE 1	20
PACKAGE SIZE 1	0.1036 kg
WEIGHT	

## DIMENSIONAL DRAWING



## TECHNICAL DATA

ATEX	No
TORQUE AL/CU (NM)	12 (16-50 mm <sup>2</sup> ) / 22 (70-120 mm <sup>2</sup> )
KEY SIZE	Hex 6
IN (AL) (A)	200
IN (CU) (A)	245
AL MM <sup>2</sup>	16-120
CU MM <sup>2</sup>	16-120