



 IsoSafe

KER 360UL98 R4B

3x40A 400V 22kW

PRODUCT NUMBER	31568
GTIN	6419410315682
TECHNICAL NAME	3x40A 400V 22kW
ETIM CLASS	EC000216

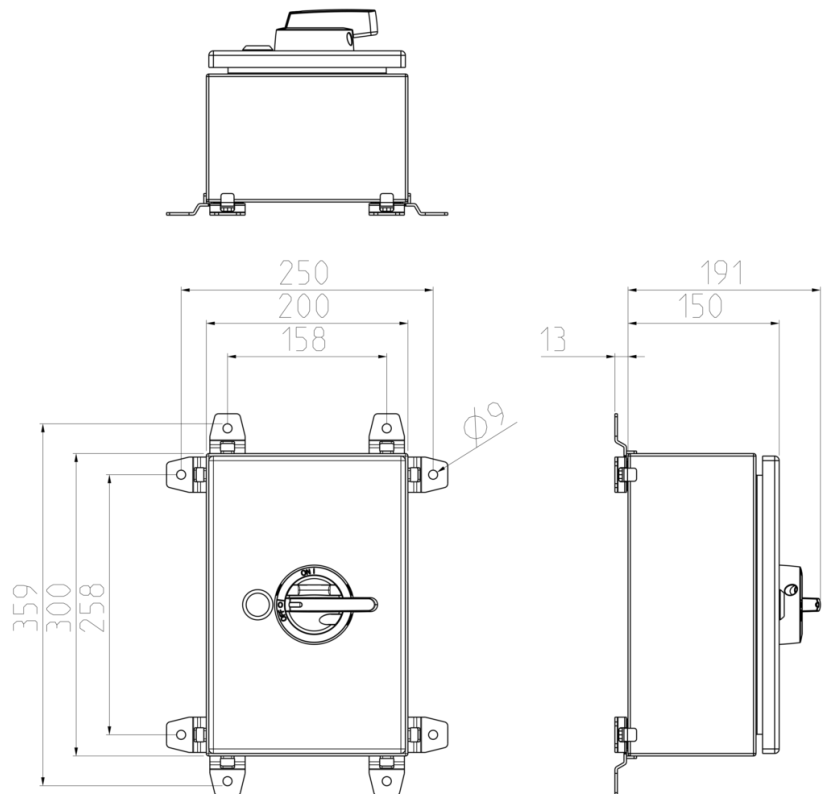
MEASUREMENTS

HEIGHT	300 mm
WIDTH	200 mm
DEPTH	150 mm
VOLUME	9 l
NET WEIGHT	5.5302 kg

LOGISTICAL DATA

PACKAGE SIZE 1	150 mm
DEPTH	
PACKAGE SIZE 1	300 mm
HEIGHT	
PACKAGE SIZE 1	200 mm
WIDTH	
PACKAGE SIZE 1	5.5302 kg
WEIGHT	
PACKAGE SIZE 1	9 l
VOLUME	

DIMENSIONAL DRAWING



TECHNICAL DATA

NUMBER OF POLES	3
ENCLOSURE	R4B (200 x 300 x 150 mm)
ENCLOSURE TYPE	Stainless steel (AISI 304)
UL	UL98
EMC	No
ATEX	No
AMPERE RATING (600V)	60
HP 208V	1.5
HP 240V	20
HP 480V	40
HP 600V	60
SWITCH TYPE DESCRIPTION	Manual motor controller
WIRE SIZE (CU ONLY)	8-1/0 AWG