



 FuseSafe

## KVKEM 3200 MF03

3x250 400V 132kW

|                |               |
|----------------|---------------|
| PRODUCT NUMBER | 39756         |
| GTIN           | 6419410397565 |
| ETIM CLASS     | EC001040      |

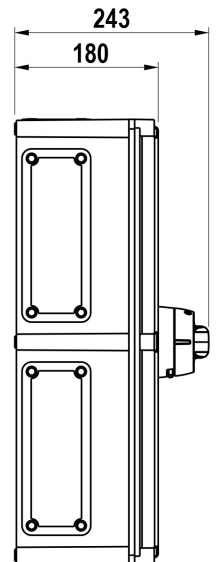
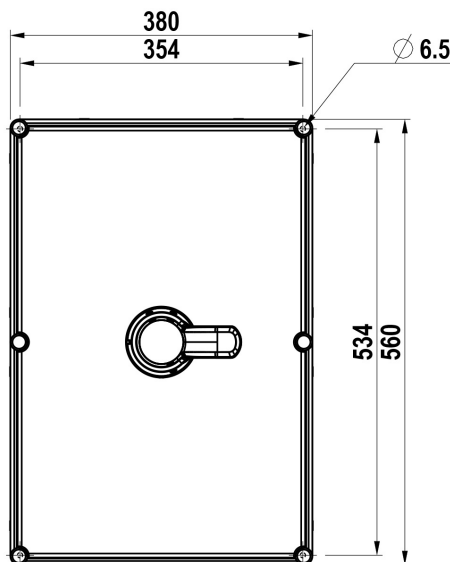
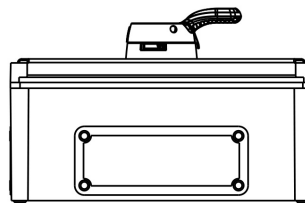
### MEASUREMENTS

|            |            |
|------------|------------|
| HEIGHT     | 560 mm     |
| WIDTH      | 380 mm     |
| DEPTH      | 180 mm     |
| VOLUME     | 38.304 l   |
| NET WEIGHT | 10.7583 kg |

### LOGISTICAL DATA

|                       |            |
|-----------------------|------------|
| SALES UNIT            | 1          |
| PACKAGE SIZE 1        | 1          |
| PACKAGE SIZE 1 DEPTH  | 180 mm     |
| PACKAGE SIZE 1 HEIGHT | 560 mm     |
| PACKAGE SIZE 1 WIDTH  | 380 mm     |
| PACKAGE SIZE 1 WEIGHT | 10.7583 kg |
| PACKAGE SIZE 1 VOLUME | 38.304 l   |

### DIMENSIONAL DRAWING



## TECHNICAL DATA

|  |                           |
|--|---------------------------|
| NUMBER OF POLES  | 3                         |
| ENCLOSURE  | MF03 (380 x 560 x 180 mm) |
| ENCLOSURE TYPE   | Polycarbonate             |
| ATEX   | No                        |
| RATED OPERATIONAL CURRENT<br>AC-23A 415 V, IE (A)                                      | 200                       |
| RATED OPERATIONAL CURRENT<br>AC-23A 690 V, IE (A)                                      | 200                       |
| RATED OPERATIONAL POWER, 3-<br>PHASE 1500 RPM SQUIRREL-CAGE<br>MOTOR AC-23A 690 V (KW) | 160                       |
| RATED INSULATION VOLTAGE, UI<br>(V)  | 1000                      |
| NOMINAL VALUES WITH CABLE<br>SIZE (MM <sup>2</sup> )                                   | 95                        |
| RATED THERMAL CURRENT, ITH<br>(A)  | 200                       |
| RATED THERMAL CURRENT<br>(ENCLOSED), ITHE (A)  | 200                       |
| RATED OPERATIONAL CURRENT<br>AC-21A 415 V, IE (A)                                      | 200                       |
| RATED OPERATIONAL CURRENT<br>AC-21A 500 V, IE (A)                                      | 200                       |
| RATED OPERATIONAL CURRENT<br>AC-21A 690 V, IE (A)                                      | 200                       |
| RATED OPERATIONAL CURRENT<br>AC-22A 415 V, IE (A)                                      | 200                       |
| RATED OPERATIONAL CURRENT<br>AC-22A 500 V, IE (A)                                      | 200                       |
| RATED OPERATIONAL CURRENT<br>AC-22A 690 V, IE (A)                                      | 200                       |
| RATED OPERATIONAL CURRENT<br>AC-23A 240 V, IE (A)                                      | 200                       |
| RATED OPERATIONAL CURRENT<br>AC-23A 500 V, IE (A)                                      | 200                       |

|   |             |
|---|-------------|
| RATED OPERATIONAL POWER, 3-PHASE 1500 RPM SQUIRREL-CAGE MOTOR AC-23A 415 V (KW) | 110         |
| RATED OPERATIONAL POWER, 3-PHASE 1500 RPM SQUIRREL-CAGE MOTOR AC-23A 500 V (KW) | 132         |
| RATED FUSED SHORT-CIRCUIT CURRENT, BACK-UP FUSE OPTION 1 (A)                    | 200         |
| RATED FUSED SHORT-CIRCUIT CURRENT, R.M.S. IQ OPTION 1 (KA)                      | 50          |
| RATED IMPULSE WITHSTAND VOLTAGE, UIMP (KV)                                      | 12          |
| RATED SHORT-CIRCUIT MAKING CAPACITY, ICM 690 V (KA)                             | 7           |
| RATED SHORT-TIME WITHSTAND CURRENT 1 S, ICW 690 V (KA)                          | 5           |
| RATED BREAKING CAPACITY, AC-23A 415 V (A)                                       | 1600        |
| RATED BREAKING CAPACITY, AC-23A 500 V (A)                                       | 1600        |
| RATED BREAKING CAPACITY, AC-23A 690 V (A)                                       | 1600        |
| ELECTRICAL ENDURANCE (NUMBER OF OPERATIONS)                                     | 2000        |
| MECHANICAL ENDURANCE (NUMBER OF OPERATIONS)                                     | 16000       |
| TERMINAL / BOLT SIZE CU (MM <sup>2</sup> )                                      | M10         |
| MAXIMUM TERMINAL TORQUE (NM)  | 30..40      |
| FUSE TYPE: DIN  | 1           |
| SWITCH TYPE   | Switch Fuse |