


ConnectSafe
KKL2X150LR


PRODUCT NUMBER	30045
GTIN	6419410300459
E-NUMBER FI	1942130
ETIM CLASS	EC000897

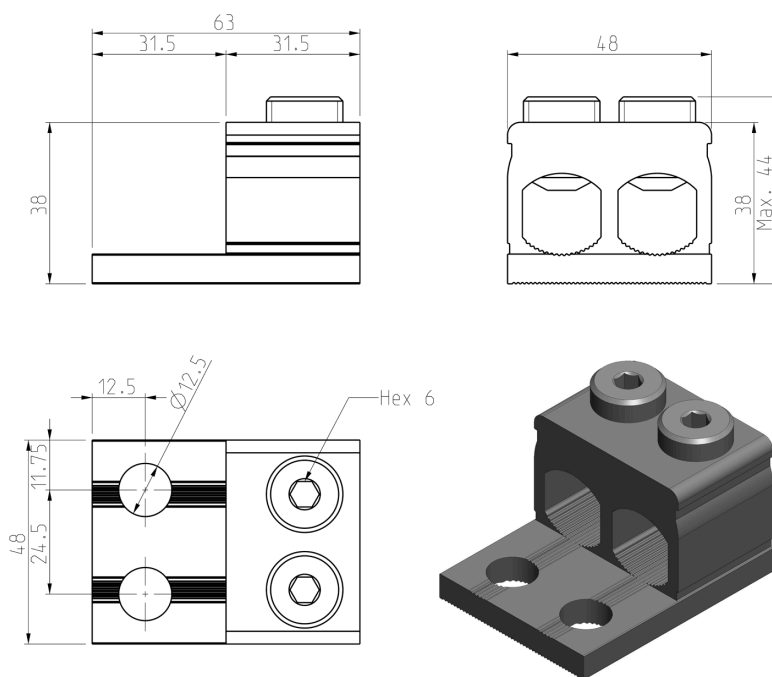
MEASUREMENTS

HEIGHT	63 mm
WIDTH	48 mm
DEPTH	38 mm
VOLUME	0.1149 l
NET WEIGHT	0.258 kg

LOGISTICAL DATA

PACKAGE SIZE 1	20
PACKAGE SIZE 1	0.258 kg
WEIGHT	

DIMENSIONAL DRAWING



TECHNICAL DATA

ATEX	No
TORQUE AL/CU (NM)	12 (25-50 mm ²) / 22 (70-95 mm ²) / 38 (120-150 mm ²)
KEY SIZE	Hex 6
IN (AL) (A)	500
IN (CU) (A)	640
AL MM ²	25-150
CU MM ²	25-150