




IsoSafe KEM 863 M3

8x40A 400V 22kW

| | |
|----------------|-----------------|
| PRODUCT NUMBER | 39987 |
| GTIN | 6419410399873 |
| TECHNICAL NAME | 8x40A 400V 22kW |
| ETIM CLASS | EC000216 |

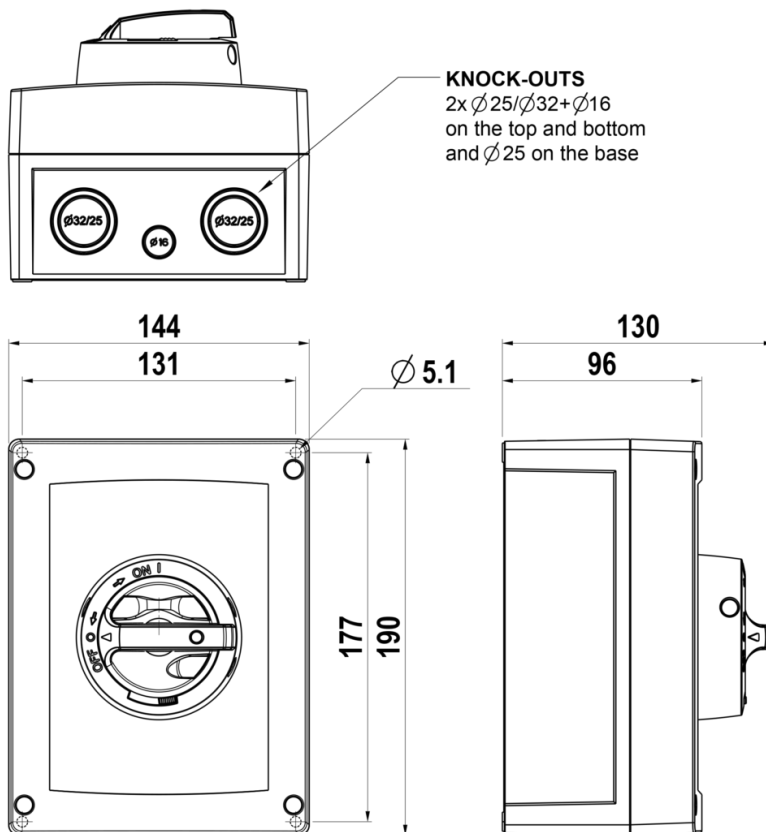
MEASUREMENTS

| | |
|------------|-----------|
| HEIGHT | 190 mm |
| WIDTH | 144 mm |
| DEPTH | 96 mm |
| VOLUME | 2.6266 l |
| NET WEIGHT | 1.1882 kg |

LOGISTICAL DATA

| | |
|----------------|-----------|
| SALES UNIT | 1 |
| PACKAGE SIZE 1 | 1 |
| PACKAGE SIZE 1 | 96 mm |
| DEPTH | |
| PACKAGE SIZE 1 | 190 mm |
| HEIGHT | |
| PACKAGE SIZE 1 | 144 mm |
| WIDTH | |
| PACKAGE SIZE 1 | 1.1882 kg |
| WEIGHT | |
| PACKAGE SIZE 1 | 2.6266 l |
| VOLUME | |

DIMENSIONAL DRAWING



TECHNICAL DATA

| | |
|--|------------------------|
| NUMBER OF POLES | 8 |
| ENCLOSURE | M3 (144 x 190 x 96 mm) |
| ENCLOSURE TYPE | Polycarbonate |
| EMC | No |
| ATEX | No |
| IP RATING | IP66 |
| RATED OPERATIONAL CURRENT AC-23A 415 V, IE (A) | 40 |
| RATED OPERATIONAL CURRENT AC-23A 690 V, IE (A) | 40 |
| RATED OPERATIONAL POWER, 3- PHASE 1500 RPM SQUIRREL-CAGE MOTOR AC-23A 690 V (KW) | 37 |
| RATED INSULATION VOLTAGE, UI (V) | 800 |
| SWITCH TYPE DESCRIPTION | Isolating switch |
| NOMINAL VALUES WITH CABLE SIZE (MM ²) | 25 |
| RATED THERMAL CURRENT, ITH (A) | 80 |
| RATED THERMAL CURRENT (ENCLOSED), ITHE (A) | 80 |
| RATED OPERATIONAL CURRENT AC-21A 415 V, IE (A) | 80 |
| RATED OPERATIONAL CURRENT AC-21A 500 V, IE (A) | 80 |
| RATED OPERATIONAL CURRENT AC-21A 690 V, IE (A) | 80 |
| RATED OPERATIONAL CURRENT AC-22A 415 V, IE (A) | 63 |
| RATED OPERATIONAL CURRENT AC-22A 500 V, IE (A) | 63 |
| RATED OPERATIONAL CURRENT AC-22A 690 V, IE (A) | 63 |

| | |
|--|-------------------|
| RATED OPERATIONAL CURRENT AC-23A 500 V, IE (A) | 40 |
| RATED OPERATIONAL POWER, 3- PHASE 1500 RPM SQUIRREL-CAGE MOTOR AC-23A 415 V (KW) | 22 |
| RATED OPERATIONAL POWER, 3- PHASE 1500 RPM SQUIRREL-CAGE MOTOR AC-23A 500 V (KW) | 30 |
| RATED FUSED SHORT-CIRCUIT CURRENT, BACK-UP FUSE OPTION 1 (A) | 80 |
| RATED FUSED SHORT-CIRCUIT CURRENT, R.M.S. IQ OPTION 1 (KA) | 50 |
| RATED FUSED SHORT-CIRCUIT CURRENT, PEAK VALUE (KA) | 8.2 |
| RATED IMPULSE WITHSTAND VOLTAGE, UIMP (KV) | 8 |
| RATED SHORT-CIRCUIT MAKING CAPACITY, ICM 690 V (KA) | 3.1 |
| RATED SHORT-TIME WITHSTAND CURRENT 1 S, ICW 690 V (KA) | 2 |
| RATED BREAKING CAPACITY, AC- 23A 415 V (A) | 320 |
| RATED BREAKING CAPACITY, AC- 23A 500 V (A) | 320 |
| RATED BREAKING CAPACITY, AC- 23A 690 V (A) | 320 |
| ELECTRICAL ENDURANCE (NUMBER OF OPERATIONS) | 3000 |
| MECHANICAL ENDURANCE (NUMBER OF OPERATIONS) | 50000 |
| TERMINAL / BOLT SIZE CU (MM ²) | 2.5..35 |
| MAXIMUM TERMINAL TORQUE (NM) | 2.5 |
| SWITCH TYPE | Load Break Switch |