




## ConnectSafe

# KL2X240P

PRODUCT NUMBER	33824
GTIN	6419410338247
E-NUMBER FI	1942163
ETIM CLASS	EC000897

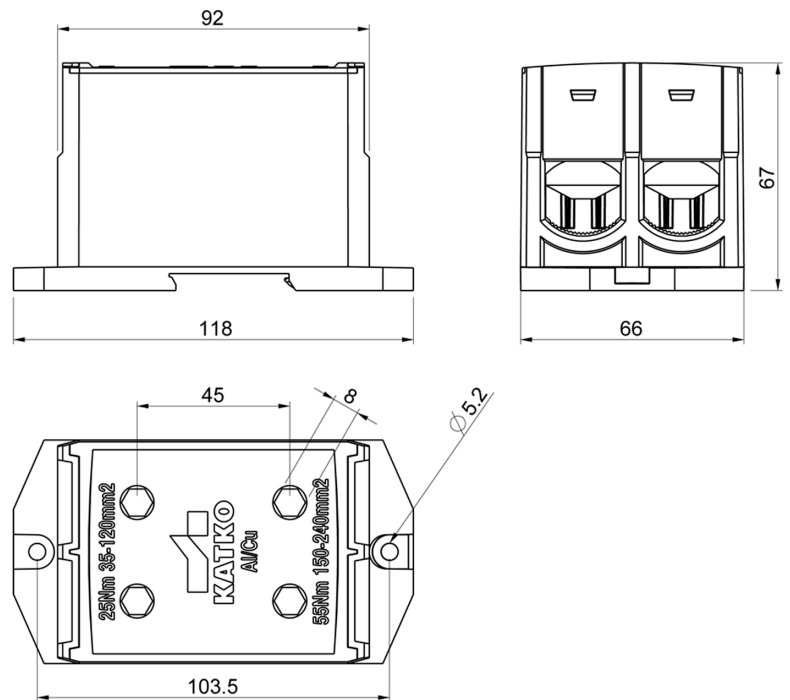
## MEASUREMENTS

HEIGHT	92 mm
WIDTH	66 mm
DEPTH	67 mm
VOLUME	0.4068 l

## LOGISTICAL DATA

PACKAGE SIZE 1	8
----------------	---

## DIMENSIONAL DRAWING



## TECHNICAL DATA

ATEX	No
TORQUE AL/CU (NM)	25 (35 - 120 mm <sup>2</sup> ) / 55 (150 - 240 mm <sup>2</sup> )
KEY SIZE	Hex 8
IN (AL) (A)	630
IN (CU) (A)	850
AL MM <sup>2</sup>	35-240
CU MM <sup>2</sup>	35-240
NOMINAL VOLTAGE	1000V AC / 1500V DC