


 IsoSafe

## KEM 3630 MF04

3x630A 400V 355kW

PRODUCT NUMBER	32540
GTIN	6419410325407
TECHNICAL NAME	3x630A 400V 355kW
ETIM CLASS	EC000216

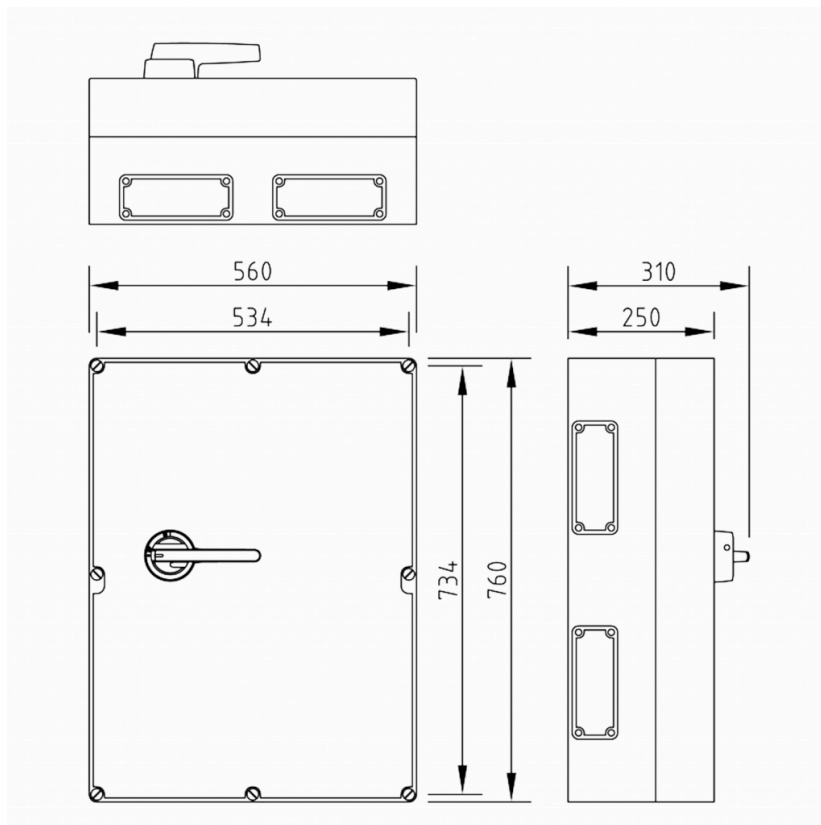
### MEASUREMENTS

HEIGHT	760 mm
WIDTH	560 mm
DEPTH	250 mm
VOLUME	106.4 l
NET WEIGHT	21.717 kg

### LOGISTICAL DATA

SALES UNIT	1
PACKAGE SIZE 1	1
PACKAGE SIZE 1 DEPTH	77 mm
PACKAGE SIZE 1 HEIGHT	160 mm
PACKAGE SIZE 1 WIDTH	120 mm
PACKAGE SIZE 1 WEIGHT	21.717 kg
PACKAGE SIZE 1 VOLUME	1.4784 l

### DIMENSIONAL DRAWING



## TECHNICAL DATA

NUMBER OF POLES	3
ENCLOSURE	MF04 (560 x 760 x 250 mm)
ENCLOSURE TYPE	Polycarbonate
EMC	No
ATEX	No
IP RATING	IP66
RATED OPERATIONAL CURRENT AC-23A 415 V, IE (A)	630
RATED OPERATIONAL CURRENT AC-23A 690 V, IE (A)	630
RATED OPERATIONAL POWER, 3- PHASE 1500 RPM SQUIRREL-CAGE MOTOR AC-23A 690 V (KW)	630
RATED INSULATION VOLTAGE, UI (V)	1000
SWITCH TYPE DESCRIPTION	Isolating switch
NOMINAL VALUES WITH CABLE SIZE (MM <sup>2</sup> )	2*185
RATED THERMAL CURRENT, ITH (A)	630
RATED THERMAL CURRENT (ENCLOSED), ITHE (A)	630
RATED OPERATIONAL CURRENT AC-21A 415 V, IE (A)	630
RATED OPERATIONAL CURRENT AC-21A 500 V, IE (A)	630
RATED OPERATIONAL CURRENT AC-21A 690 V, IE (A)	630
RATED OPERATIONAL CURRENT AC-22A 415 V, IE (A)	630
RATED OPERATIONAL CURRENT AC-22A 500 V, IE (A)	630
RATED OPERATIONAL CURRENT AC-22A 690 V, IE (A)	630

RATED OPERATIONAL CURRENT AC-23A 500 V, IE (A)	630
RATED OPERATIONAL POWER, 3- PHASE 1500 RPM SQUIRREL-CAGE MOTOR AC-23A 415 V (KW)	355
RATED OPERATIONAL POWER, 3- PHASE 1500 RPM SQUIRREL-CAGE MOTOR AC-23A 500 V (KW)	400
RATED FUSED SHORT-CIRCUIT CURRENT, BACK-UP FUSE OPTION 1 (A)	630
RATED FUSED SHORT-CIRCUIT CURRENT, R.M.S. IQ OPTION 1 (KA)	100
RATED FUSED SHORT-CIRCUIT CURRENT, PEAK VALUE (KA)	76
RATED IMPULSE WITHSTAND VOLTAGE, UIMP (KV)	12
RATED SHORT-CIRCUIT MAKING CAPACITY, ICM 690 V (KA)	60
RATED SHORT-TIME WITHSTAND CURRENT 1 S, ICW 1000 V (KA)	28
RATED BREAKING CAPACITY, AC- 23A 415 V (A)	5040
RATED BREAKING CAPACITY, AC- 23A 500 V (A)	5040
RATED BREAKING CAPACITY, AC- 23A 690 V (A)	5040
ELECTRICAL ENDURANCE (NUMBER OF OPERATIONS)	2000
MECHANICAL ENDURANCE (NUMBER OF OPERATIONS)	10000
TERMINAL / BOLT SIZE CU (MM <sup>2</sup> )	M12
MAXIMUM TERMINAL TORQUE (NM)	50..75
SWITCH TYPE	Load Break Switch