




## ConnectSafe

# KL2X240PE

PRODUCT NUMBER	37848
GTIN	6419410378489
E-NUMBER FI	1942078
ETIM CLASS	EC000897

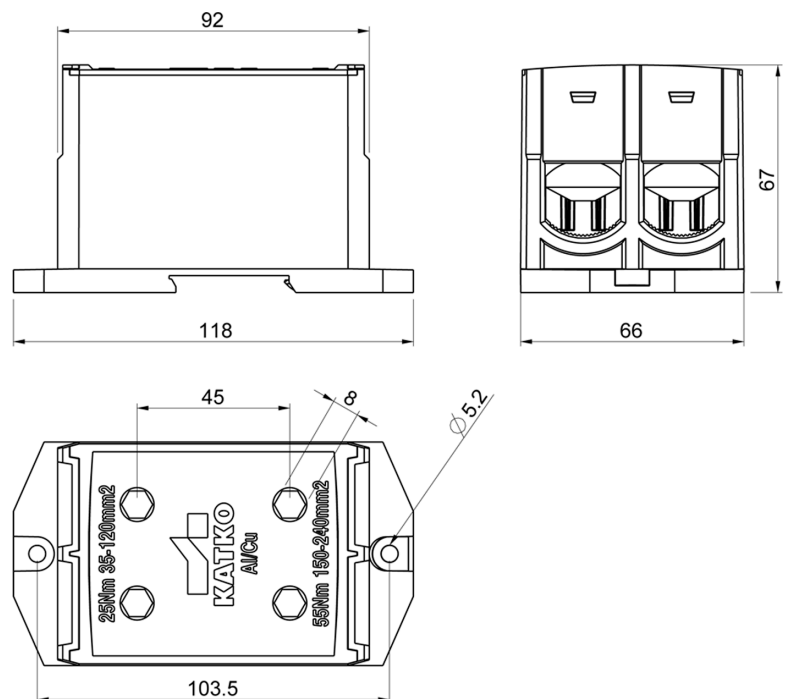
## MEASUREMENTS

HEIGHT	92 mm
WIDTH	66 mm
DEPTH	67 mm
VOLUME	0.4068 l
NET WEIGHT	0.6289 kg

## LOGISTICAL DATA

PACKAGE SIZE 1	8
PACKAGE SIZE 1 WEIGHT	0.6289 kg

## DIMENSIONAL DRAWING



## TECHNICAL DATA

ATEX	No
TORQUE AL/CU (NM)	25 (35 - 120 mm <sup>2</sup> ) / 55 (150 - 240 mm <sup>2</sup> )
KEY SIZE	Hex 8
IN (AL) (A)	630
IN (CU) (A)	850
AL MM <sup>2</sup>	35-240
CU MM <sup>2</sup>	35-240
NOMINAL VOLTAGE	1000V AC / 1500V DC