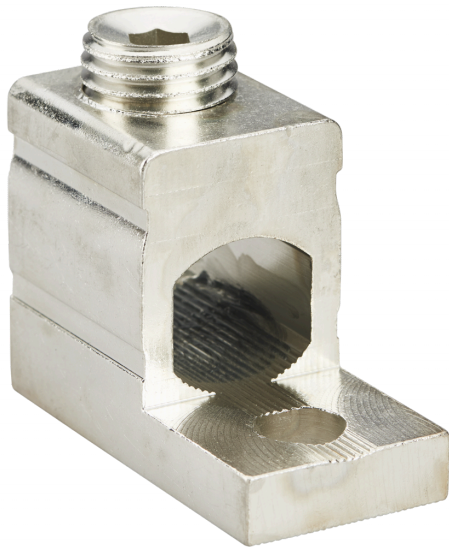




# ConnectSafe

## KKL1X240M8



PRODUCT NUMBER	22914
GTIN	6419410229149
E-NUMBER FI	1942146
ETIM CLASS	EC000897

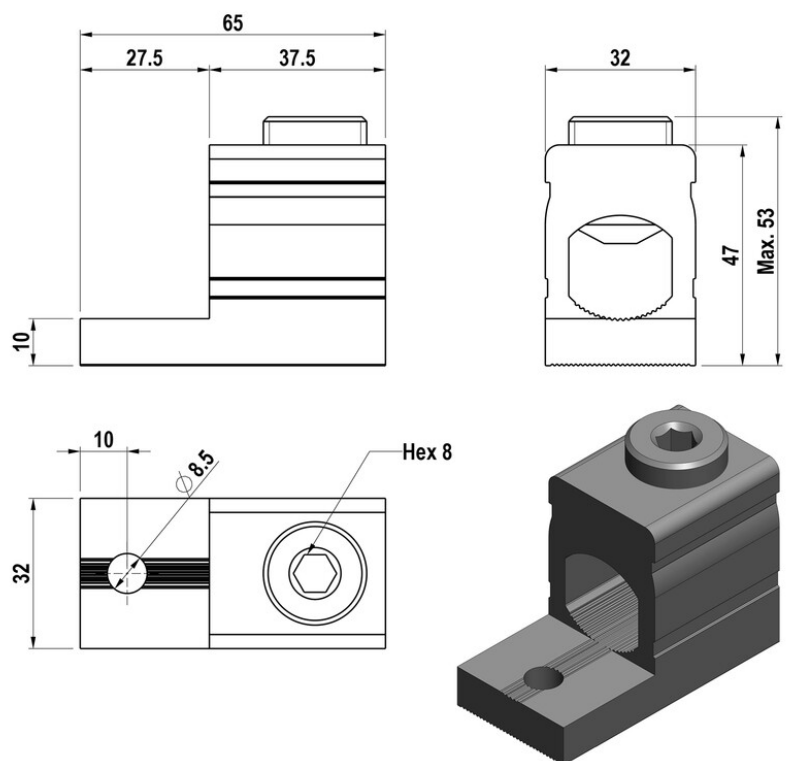
### MEASUREMENTS

HEIGHT	65 mm
WIDTH	32 mm
DEPTH	47 mm
VOLUME	0.0978 l
NET WEIGHT	0.2773 kg

### LOGISTICAL DATA

PACKAGE SIZE 1	16
PACKAGE SIZE 1 WEIGHT	0.2773 kg

### DIMENSIONAL DRAWING



## TECHNICAL DATA

ATEX	No
TORQUE AL/CU (NM)	25 (35-120 mm <sup>2</sup> ) / 55 (150-240 mm <sup>2</sup> )
KEY SIZE	Hex 8
IN (AL) (A)	315
IN (CU) (A)	424
AL MM <sup>2</sup>	35-240
CU MM <sup>2</sup>	35-240