




ConnectSafe

KL1X150P

PRODUCT NUMBER	33818
GTIN	6419410338186
E-NUMBER FI	1942157
ETIM CLASS	EC000897

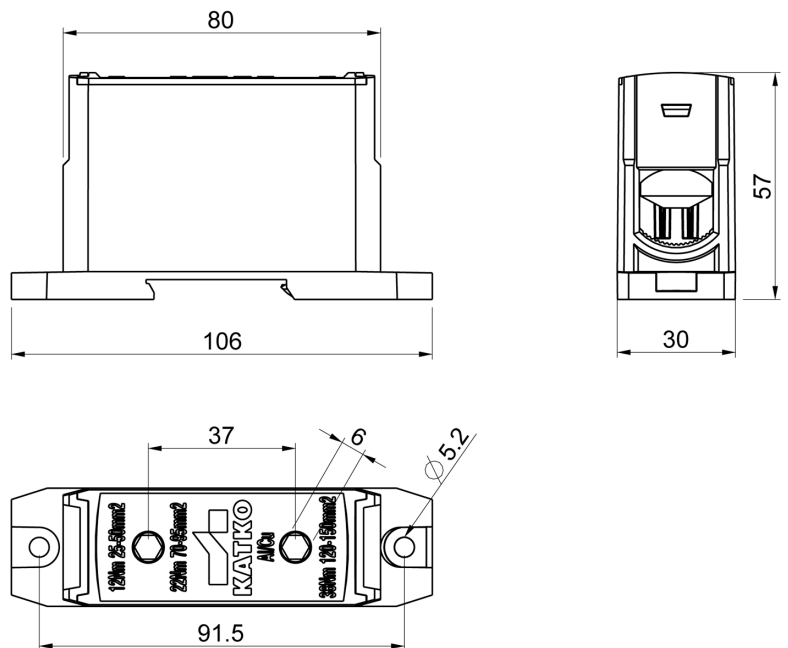
MEASUREMENTS

HEIGHT	80 mm
WIDTH	30 mm
DEPTH	57 mm
VOLUME	0.1368 l

LOGISTICAL DATA

PACKAGE SIZE 1	18
----------------	----

DIMENSIONAL DRAWING



TECHNICAL DATA

ATEX	No
TORQUE AL/CU (NM)	12 (25 - 50 mm ²) / 22 (70 - 95 mm ²) / 38 (120 - 150 mm ²)
KEY SIZE	Hex 6
IN (AL) (A)	250
IN (CU) (A)	320
AL MM ²	25-150
CU MM ²	25-150
NOMINAL VOLTAGE	1000V AC / 1500V DC