




ConnectSafe

KL1X150PE

| | |
|----------------|---------------|
| PRODUCT NUMBER | 37839 |
| GTIN | 6419410378397 |
| E-NUMBER FI | 1942057 |
| ETIM CLASS | EC000897 |

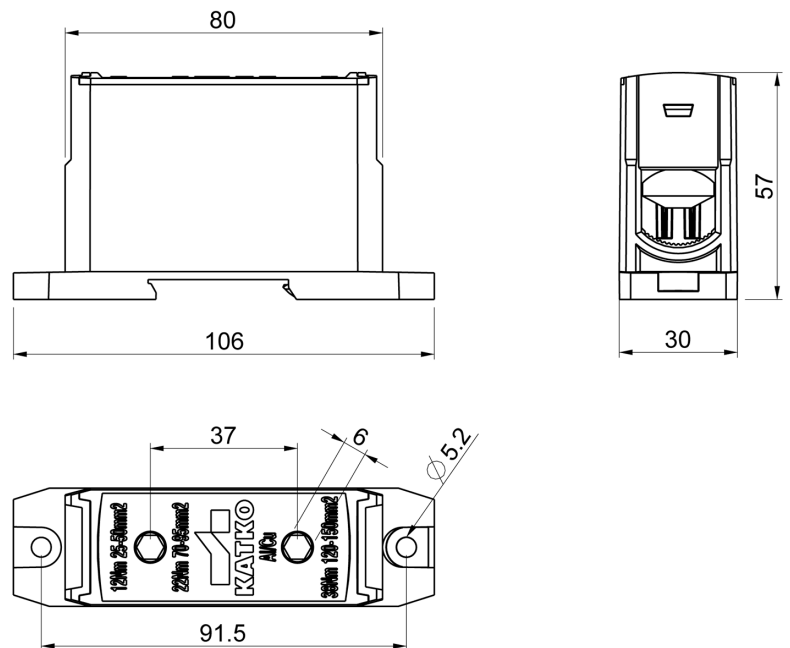
MEASUREMENTS

| | |
|------------|-----------|
| HEIGHT | 80 mm |
| WIDTH | 30 mm |
| DEPTH | 57 mm |
| VOLUME | 0.1368 l |
| NET WEIGHT | 0.2401 kg |

LOGISTICAL DATA

| | |
|-----------------------|-----------|
| PACKAGE SIZE 1 | 18 |
| PACKAGE SIZE 1 WEIGHT | 0.2401 kg |

DIMENSIONAL DRAWING



TECHNICAL DATA

| | |
|--------------------|---|
| ATEX | No |
| TORQUE AL/CU (NM) | 12 (25 - 50 mm ²) / 22 (70 - 95 mm ²) / 38 (120 - 150 mm ²) |
| KEY SIZE | Hex 6 |
| IN (AL) (A) | 250 |
| IN (CU) (A) | 320 |
| AL MM ² | 25-150 |
| CU MM ² | 25-150 |
| NOMINAL VOLTAGE | 1000V AC / 1500V DC |