



 IsoSafe  
**KET 3100UL98 T5**

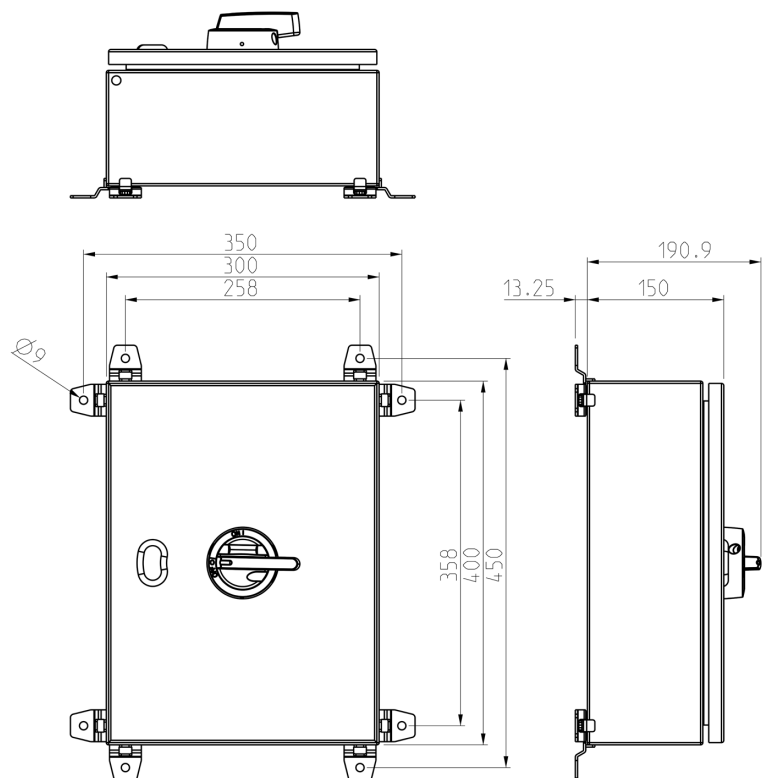
**3x100A 400V 55kW**

|                |                  |
|----------------|------------------|
| PRODUCT NUMBER | 31566            |
| GTIN           | 6419410315668    |
| TECHNICAL NAME | 3x100A 400V 55kW |
| ETIM CLASS     | EC000216         |

### MEASUREMENTS

|            |           |
|------------|-----------|
| HEIGHT     | 400 mm    |
| WIDTH      | 300 mm    |
| DEPTH      | 150 mm    |
| VOLUME     | 18 l      |
| NET WEIGHT | 8.1172 kg |

### DIMENSIONAL DRAWING



### LOGISTICAL DATA

|                       |           |
|-----------------------|-----------|
| PACKAGE SIZE 1 DEPTH  | 150 mm    |
| PACKAGE SIZE 1 HEIGHT | 400 mm    |
| PACKAGE SIZE 1 WIDTH  | 300 mm    |
| PACKAGE SIZE 1 WEIGHT | 8.1172 kg |
| PACKAGE SIZE 1 VOLUME | 18 l      |

## TECHNICAL DATA

|                         |                         |
|-------------------------|-------------------------|
| NUMBER OF POLES         | 3                       |
| ENCLOSURE               | T5 (300 x 400 x 150 mm) |
| ENCLOSURE TYPE          | Painted sheet steel     |
| UL                      | UL98                    |
| EMC                     | No                      |
| ATEX                    | No                      |
| IP RATING               | IP66                    |
| AMPERE RATING (600V)    | 100                     |
| HP 208V                 | 1.5                     |
| HP 240V                 | 20                      |
| HP 480V                 | 40                      |
| HP 600V                 | 60                      |
| SWITCH TYPE DESCRIPTION | Manual motor controller |
| WIRE SIZE (CU ONLY)     | 8-1/0 AWG               |