 **ConnectSafe****KKL1X16****1x1,5-16mm² Al/Cu**

| | |
|----------------|-------------------------------|
| PRODUCT NUMBER | 37849 |
| GTIN | 6419410378496 |
| E-NUMBER FI | 1942079 |
| TECHNICAL NAME | 1x1,5-16mm ² Al/Cu |
| ETIM CLASS | EC001284 |

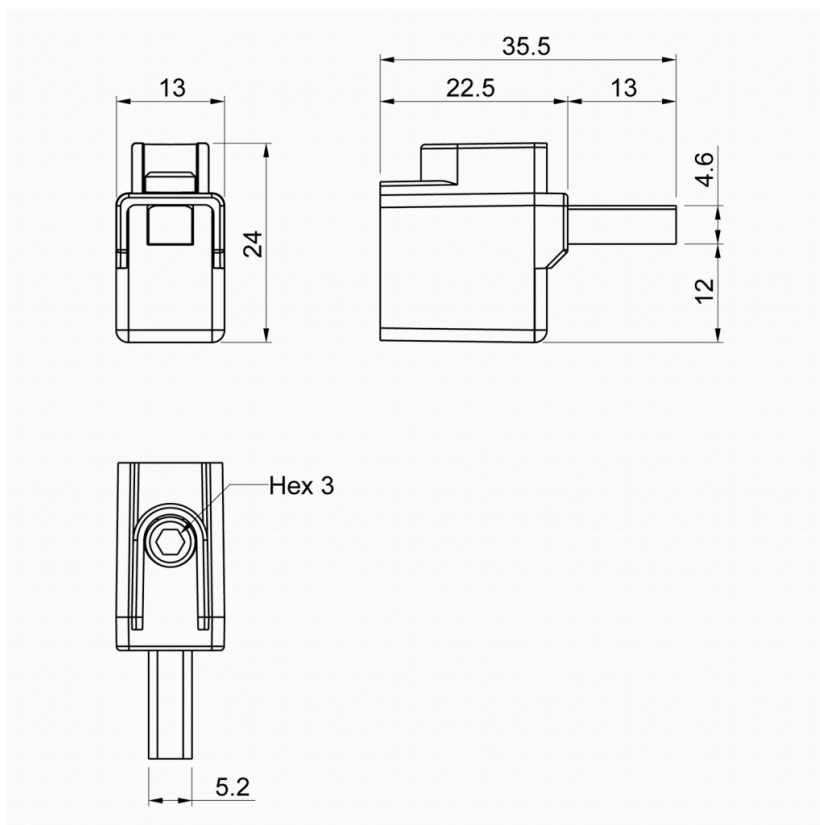
MEASUREMENTS

| | |
|------------|-----------|
| HEIGHT | 24 mm |
| WIDTH | 13 mm |
| DEPTH | 35 mm |
| VOLUME | 0.0109 l |
| NET WEIGHT | 0.0266 kg |

LOGISTICAL DATA

| | |
|----------------|-----------|
| PACKAGE SIZE 1 | 30 |
| PACKAGE SIZE 1 | 0.0266 kg |
| WEIGHT | |

DIMENSIONAL DRAWING



TECHNICAL DATA

| | |
|--------------------|------------------------------|
| ATEX | No |
| TORQUE AL/CU (NM) | 2,2 (1,5-16mm ²) |
| KEY SIZE | Hex 3 |
| IN (AL) (A) | 63 |
| IN (CU) (A) | 63 |
| AL MM ² | 1,5-16 |
| CU MM ² | 1,5-16 |