

 ConnectSafe

**KKL1X50T2**

1x2,5-50mm<sup>2</sup> Al/Cu

PRODUCT NUMBER	37850
GTIN	6419410378502
E-NUMBER FI	1942080
TECHNICAL NAME	1x2,5-50mm <sup>2</sup> Al/Cu
ETIM CLASS	EC001284

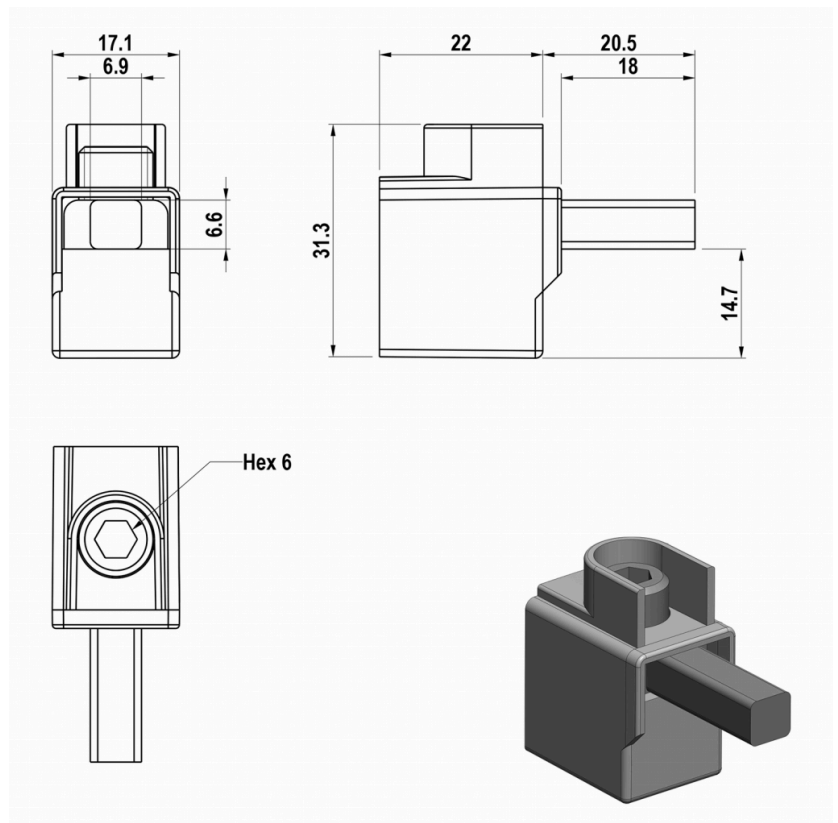
## MEASUREMENTS

HEIGHT	32 mm
WIDTH	17 mm
DEPTH	43 mm
VOLUME	0.0234 l
NET WEIGHT	0.0464 kg

## LOGISTICAL DATA

PACKAGE SIZE 1	12
PACKAGE SIZE 1	0.0464 kg
WEIGHT	

## DIMENSIONAL DRAWING



## TECHNICAL DATA

ATEX	No
TORQUE AL/CU (NM)	5 (2,5-16mm <sup>2</sup> ) / 10 (25-50mm <sup>2</sup> )
KEY SIZE	Hex 6
IN (AL) (A)	125
IN (CU) (A)	125
AL MM <sup>2</sup>	16-50
CU MM <sup>2</sup>	2,5-50