



 ConnectSafe

KKL1X120T2

1x16-120mm² Al/Cu

PRODUCT NUMBER	37853
GTIN	6419410378533
E-NUMBER FI	1942083
TECHNICAL NAME	1x16-120mm ² Al/Cu
ETIM CLASS	EC001284

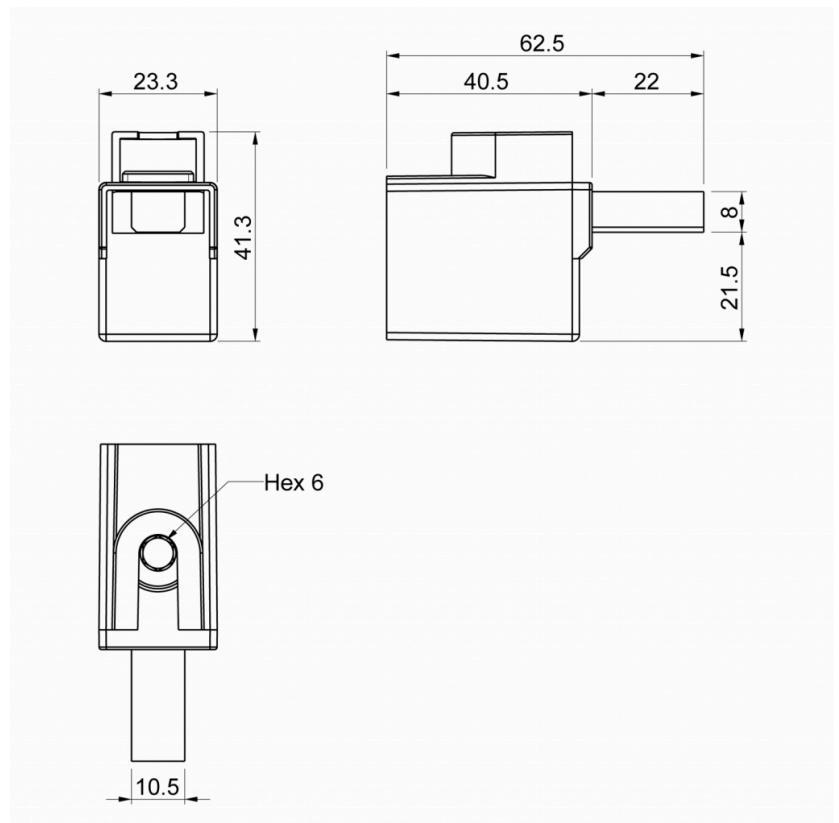
MEASUREMENTS

HEIGHT	42 mm
WIDTH	24 mm
DEPTH	57 mm
VOLUME	0.0575 l
NET WEIGHT	0.1036 kg

LOGISTICAL DATA

PACKAGE SIZE 1	20
PACKAGE SIZE 1 WEIGHT	0.1036 kg

DIMENSIONAL DRAWING



TECHNICAL DATA

ATEX	No
TORQUE AL/CU (NM)	12 (16-50 mm ²) / 22 (70-120 mm ²)
KEY SIZE	Hex 6
IN (AL) (A)	200
IN (CU) (A)	245
AL MM ²	16-120
CU MM ²	16-120